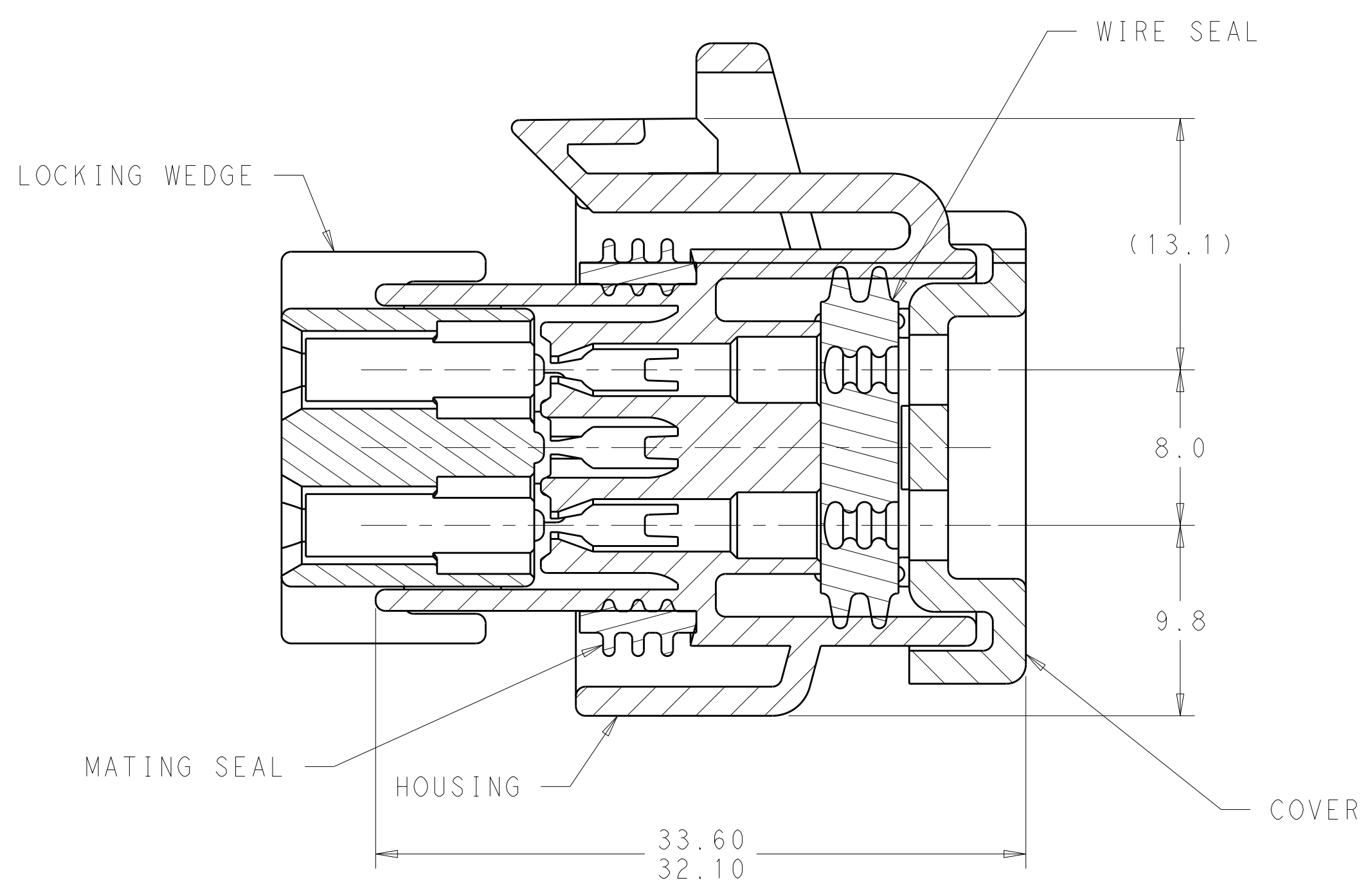


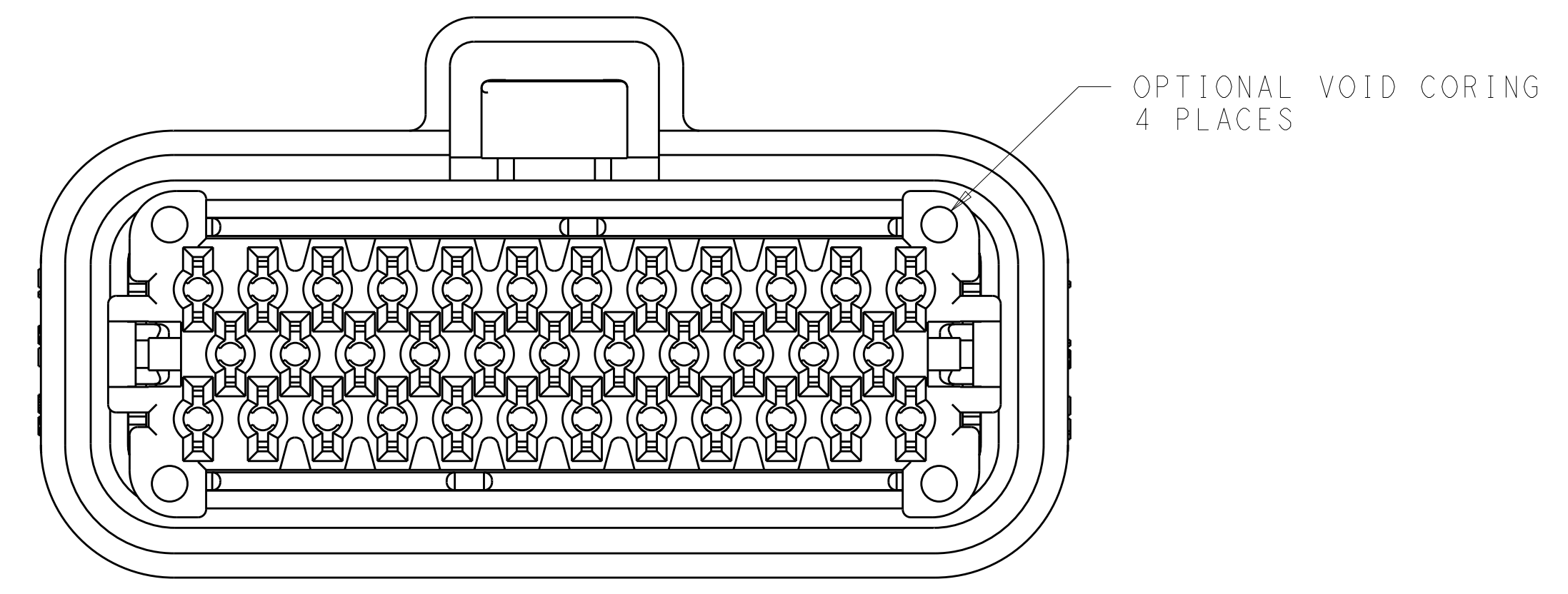
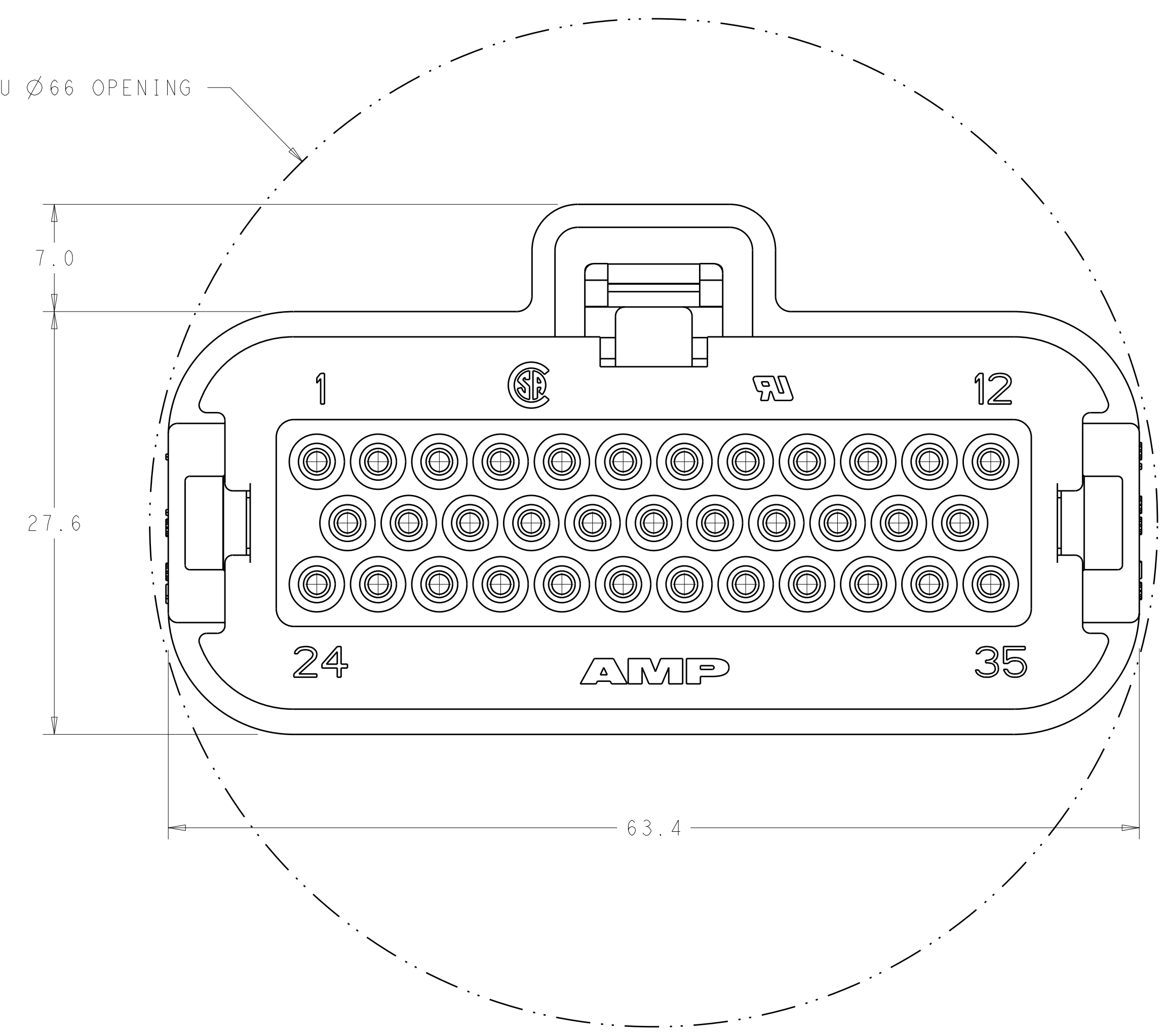
LOC	DIST	REV	DATE	BY	CHK	APPV
HK	00					

REVISIONS		DATE	BY	CHK	APPV
E1	REVISED PER ECO-11-011612	03JUN2011	DLD	DLD	
E2	REVISED PER ECO-11-013055	23JUN2011	DLD	DCS	
F	REVISED PER ECO-12-007864	24APR2012	DLD	DCS	

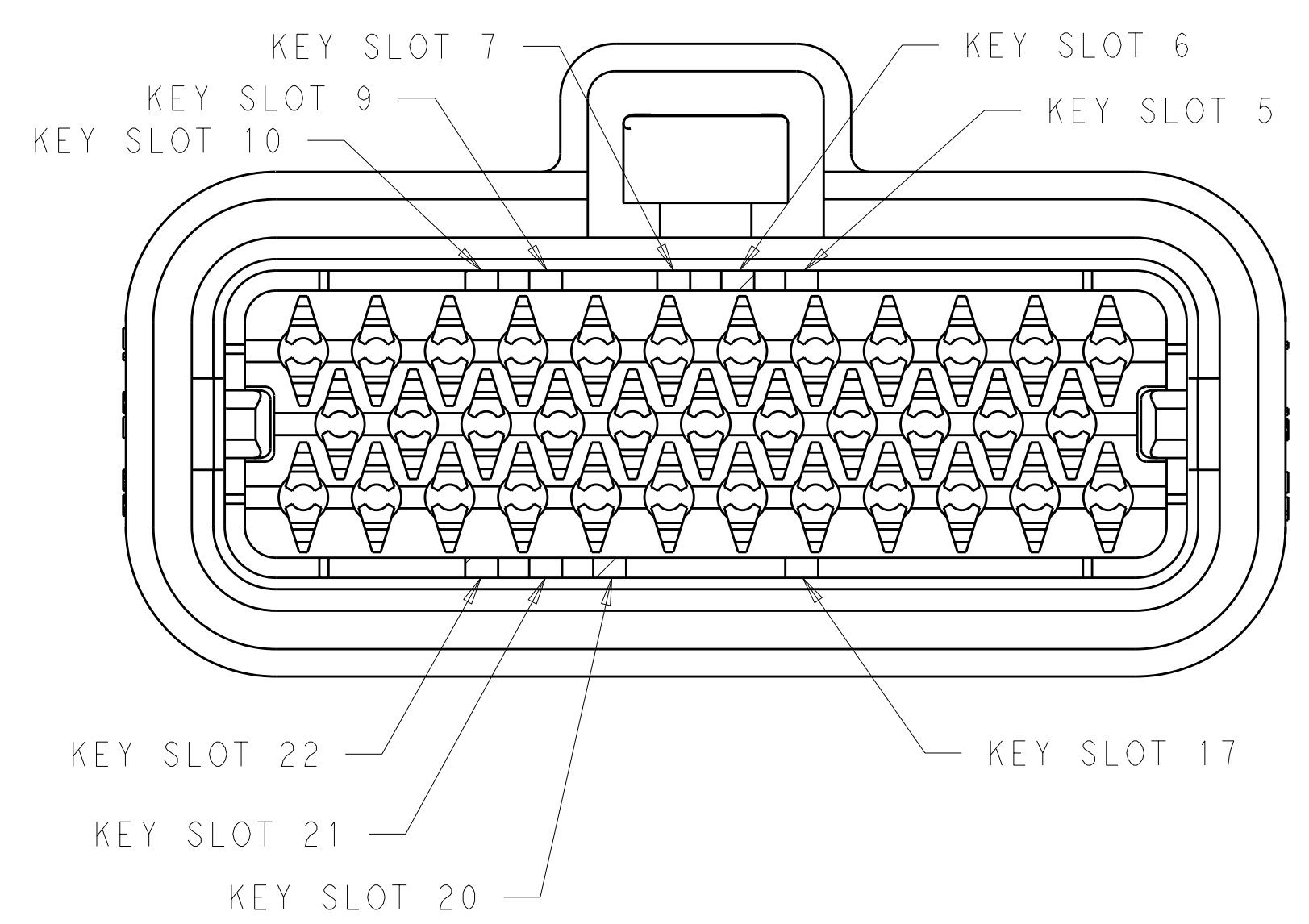
△ HOUSING COLORS ARE MECHANICALLY KEYPED TO MATE WITH IDENTICALLY COLORED HEADER ASSEMBLIES.



ASSEMBLY WILL PASS THRU Ø66 OPENING



BOTTOM VIEW WITH LOCKING WEDGE
 SCALE 3:1



KEY SLOT LOCATIONS
 SCALE 3:1

7 & 22	776164-6
5, 10 & 22	776164-5
9 & 21	776164-4
7 & 17	776164-2
6 & 20	776164-1
KEY SLOT LOCATION (SEE VIEW ABOVE)	PART NUMBER

GLASS FILLED PBT, BLACK	SILICONE RUBBER, RED	SILICONE RUBBER, RED	PBT, RED	PBT, ORANGE	776164-6
				PBT, BLUE	776164-5
				PBT, GRAY	776164-4
				PBT, NATURAL	776164-2
				PBT, BLACK	776164-1
COVER	WIRE SEAL	MATING SEAL	LOCKING WEDGE	△ HOUSING	PART NUMBER
THIS DRAWING IS A CONTROLLED DOCUMENT.		DWN R. VESTAL 08SEP2009		TE Connectivity	
DIMENSIONS: mm		CHK D. STRAUSSER 08SEP2009		NAME	
TOLERANCES UNLESS OTHERWISE SPECIFIED:		APVD D. STRAUSSER 08SEP2009		PRODUCT SPEC	
9 PLC ±0.2		108-1329		SIZE CAGE CODE DRAWING NO	
3 PLC ±		APPLICATION SPEC		RESTRICTED TO	
5 PLC ±		114-16016		A100779C-776164	
4 PLC ±		WEIGHT		SCALE 4:1 SHEET 1 OF 1 REV F	
ANGLES ±		CUSTOMER DRAWING			
FINISH					
SEE TABLE					