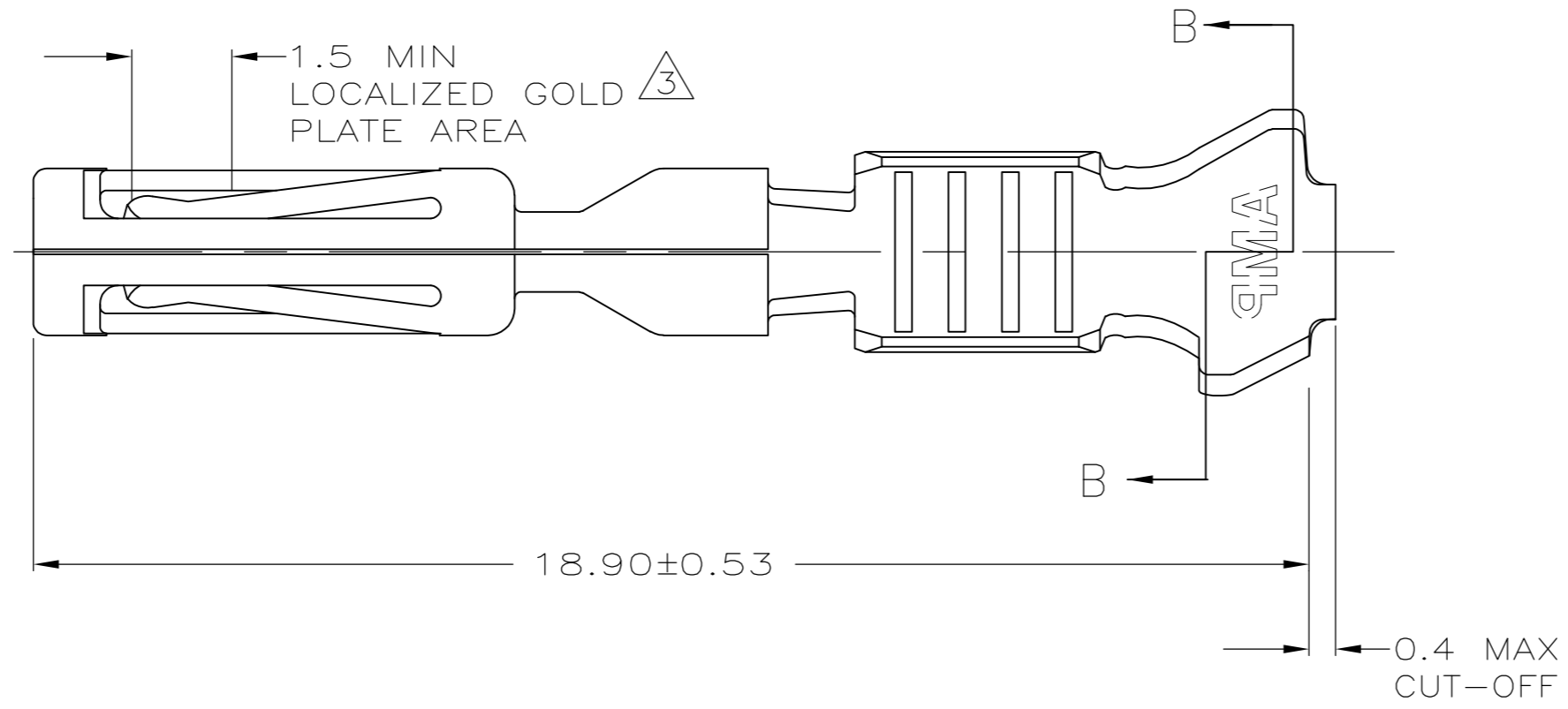
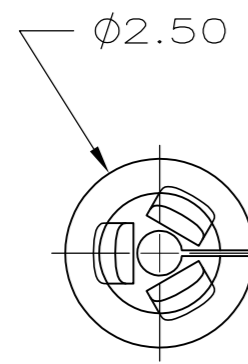
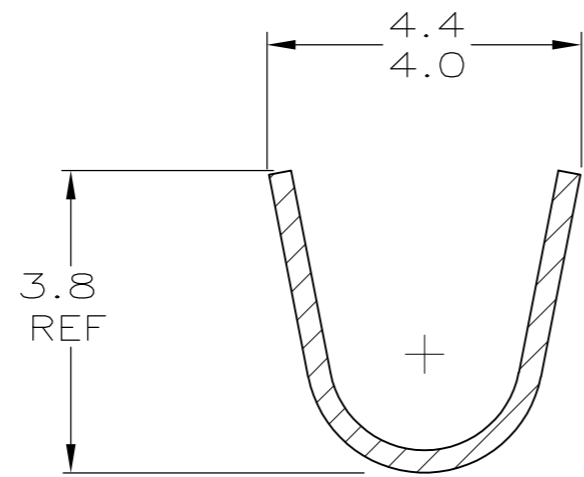
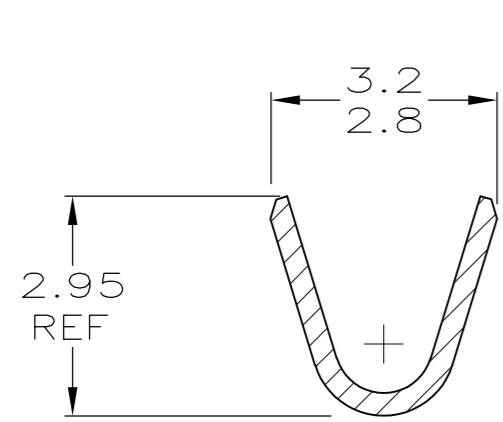
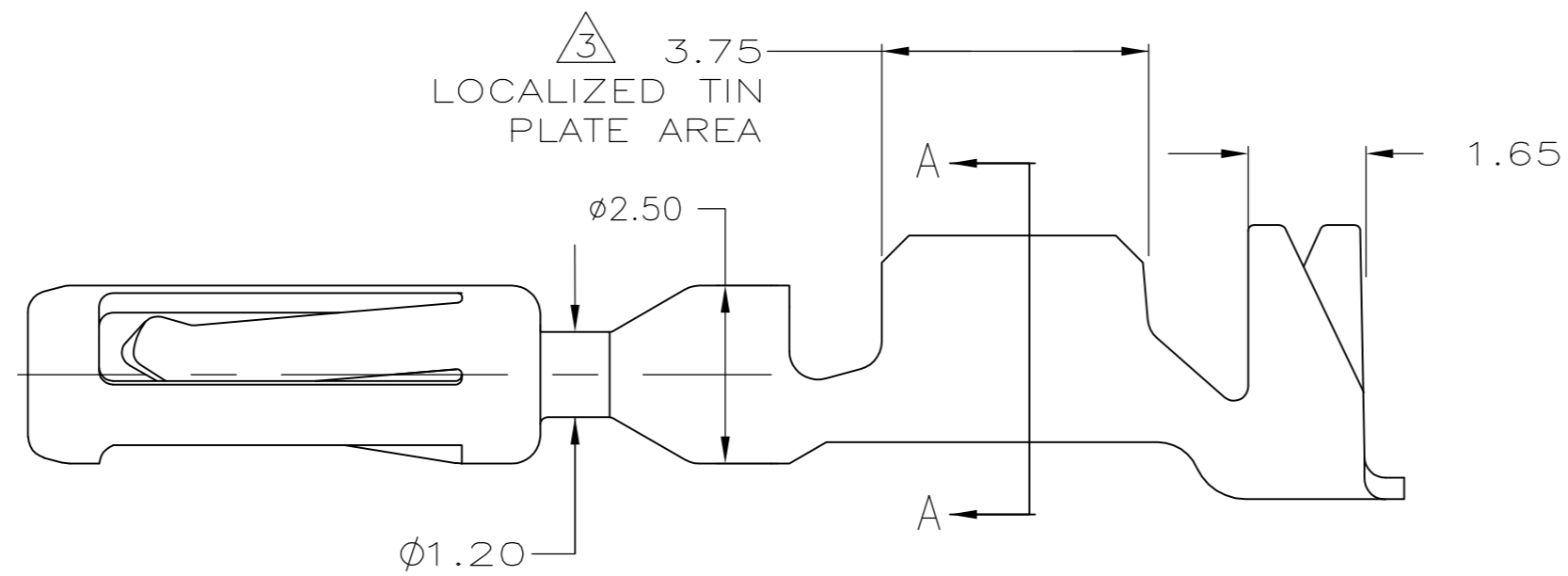


THIS DRAWING IS UNPUBLISHED. RELEASED FOR PUBLICATION
 © COPYRIGHT - By - ALL RIGHTS RESERVED.

LOC		DIST		REVISIONS			
P	LTR	DESCRIPTION		DATE	DWN	APVD	
CM	51	P					
		P	REVISED PER ECO-11-005030	11MAR11	RK	HMR	



1. WIRE RANGE: 20-16 AWG
 2. INSULATION RANGE: 1.70-2.70.
- $\Delta 3$.00075 MIN GOLD IN THE LOCALIZED GOLD PLATE AREA, .0025 MIN MATTE TIN IN THE LOCALIZED TIN PLATE AREA OVER .00125 MIN NICKEL OVER ENTIRE CONTACT.



SECTION A-A

SECTION B-B
ROTATED 90° CW

GOLD $\Delta 3$	0.38 COPPER ALLOY	770854-3
PRE-TIN	0.38 COPPER ALLOY	770854-1
FINISH	MATERIAL	PART NO.

THIS DRAWING IS A CONTROLLED DOCUMENT.		DWN	-	TE TE Connectivity	
DIMENSIONS: mm		CHK	-		
TOLERANCES UNLESS OTHERWISE SPECIFIED:		APVD	-	NAME	
0 PLC	± -	PRODUCT SPEC	-	CONTACT, LOOSE PIECE, AMPSEAL	
1 PLC	± -	APPLICATION SPEC	-	SIZE	CAGE CODE
2 PLC	± -			A2	00779
3 PLC	± -			DRAWING NO	C=770854
4 PLC	± -			RESTRICTED TO	-
ANGLES	± -	WEIGHT	-	SCALE	10:1
MATERIAL	-	CUSTOMER DRAWING	-	SHEET	1 of 1
FINISH	-			REV	P

