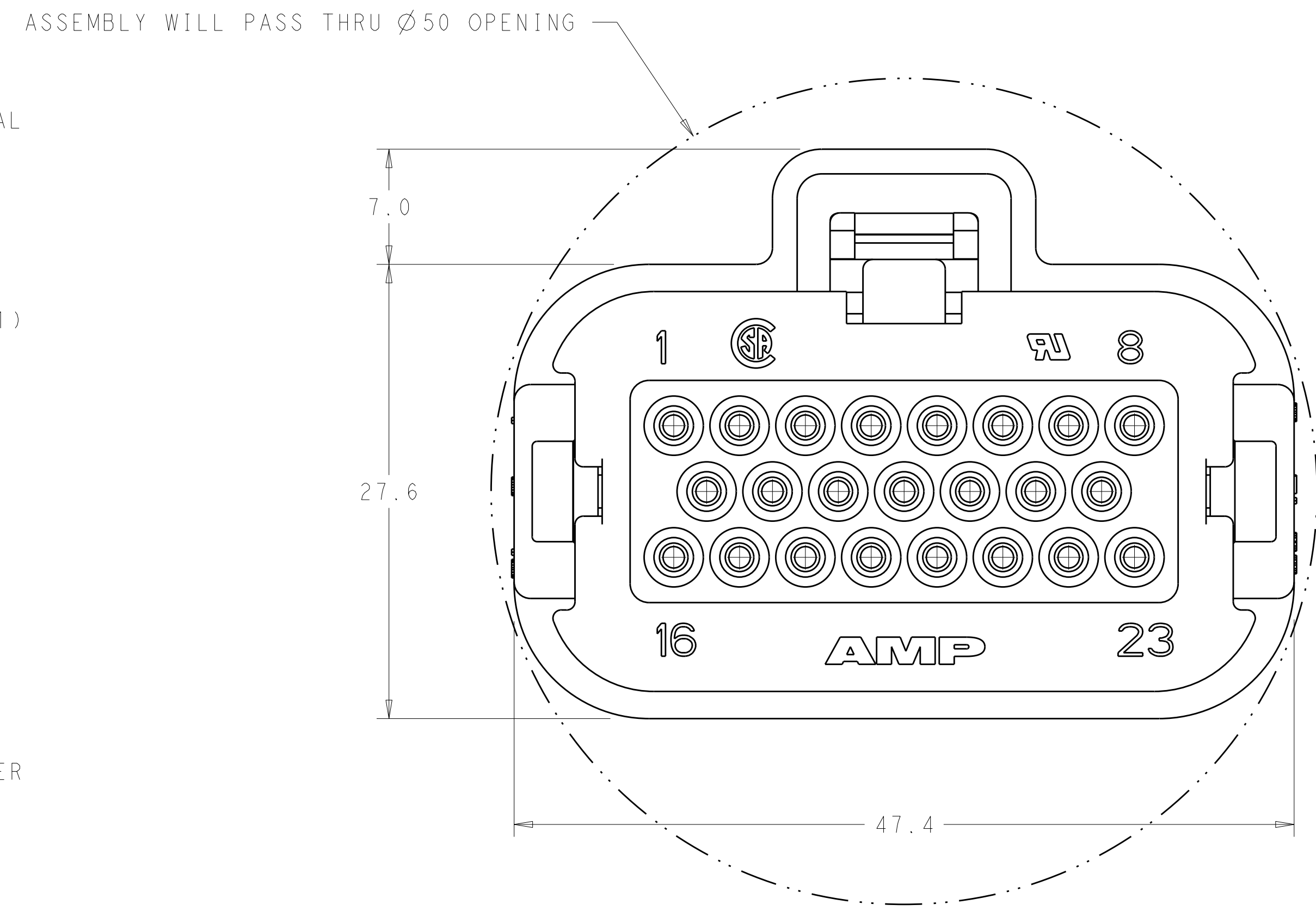
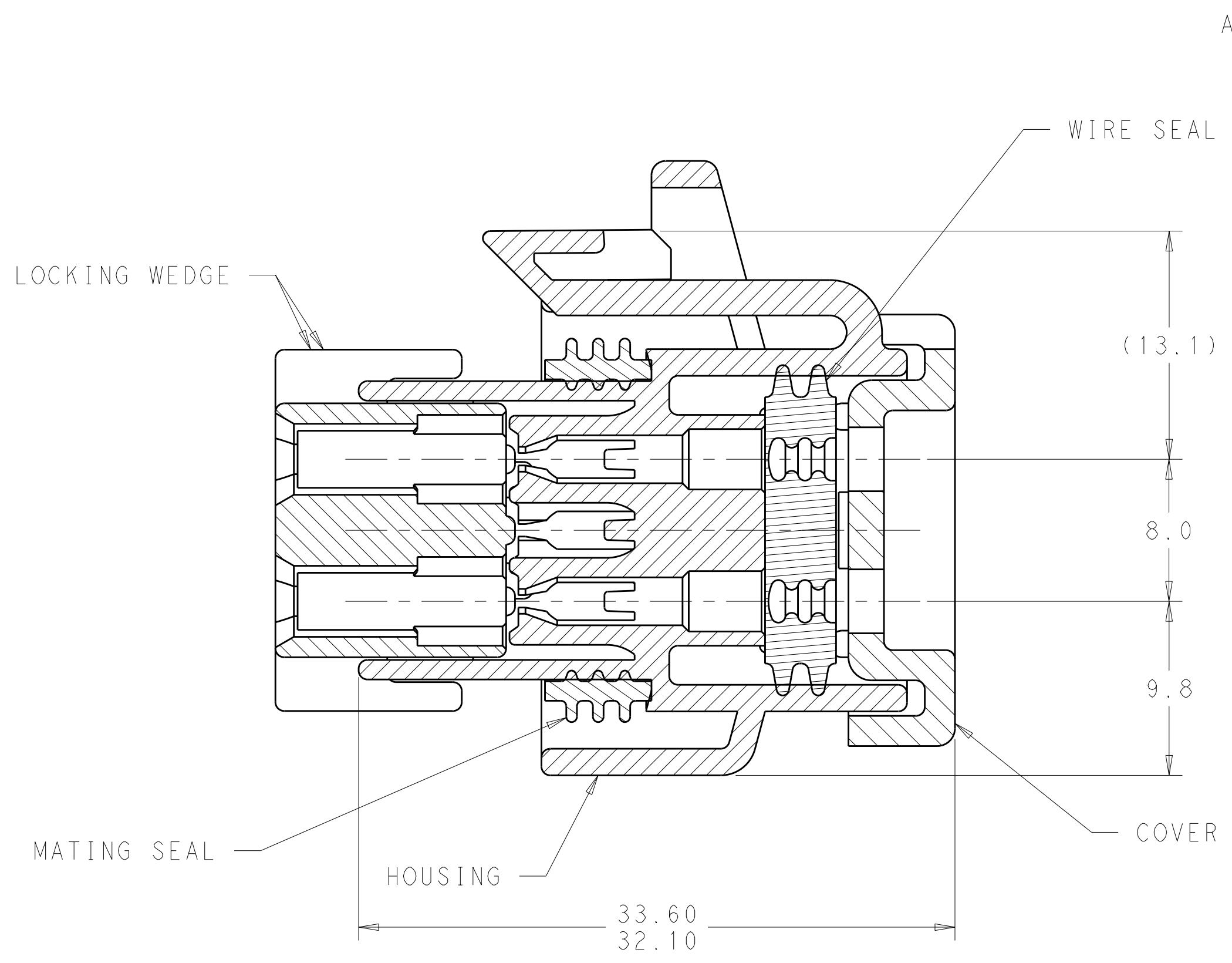
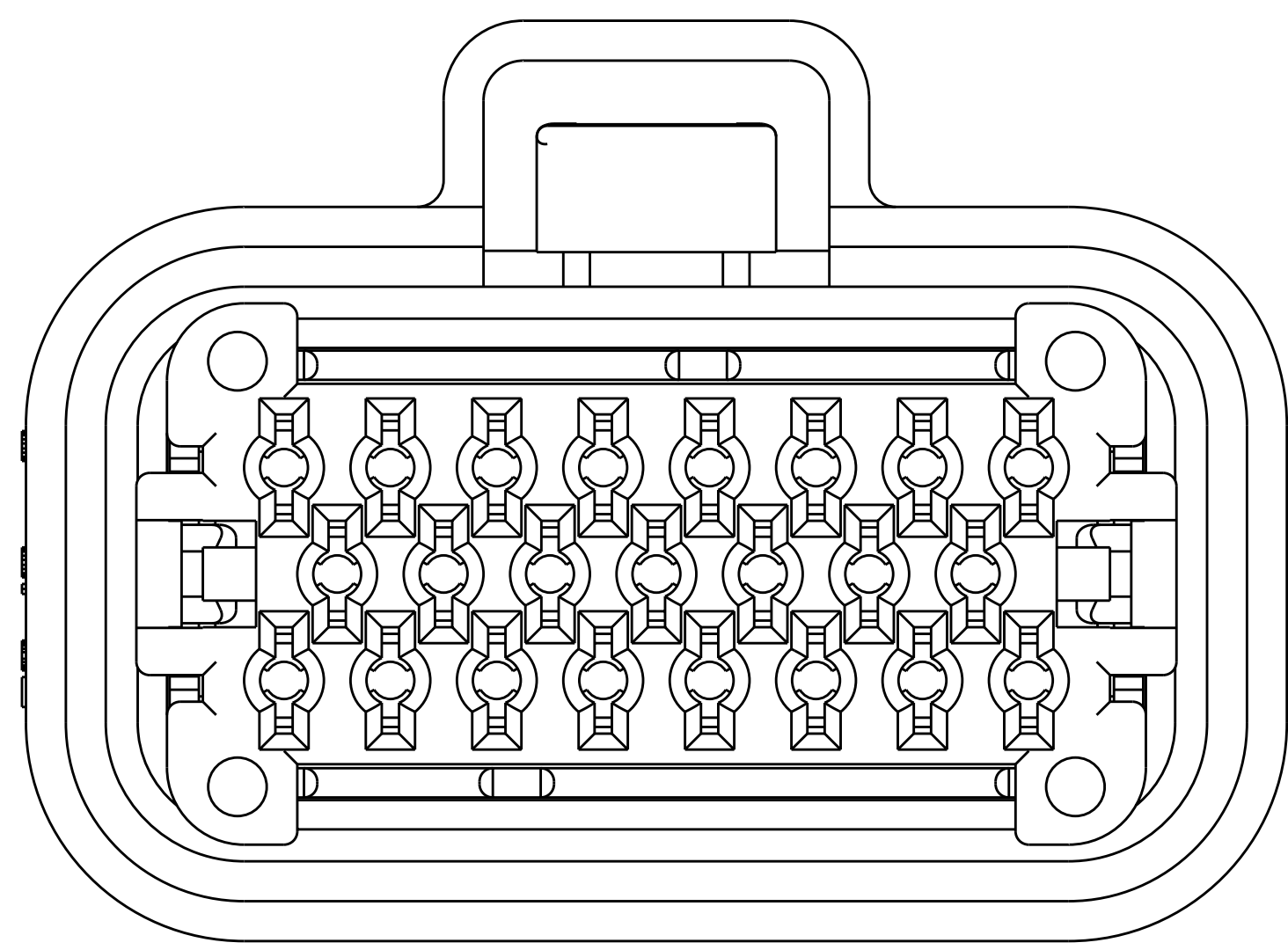


LOC	DIST	REV	DATE	BY	CHK	APPV
HK	00					
REVISIONS						
K1		REVISED PER ECO-11-005030	30APR2011	RK	HMR	
L		REVISED PER ECO-12-007864	24APR2012	DLD	DCS	

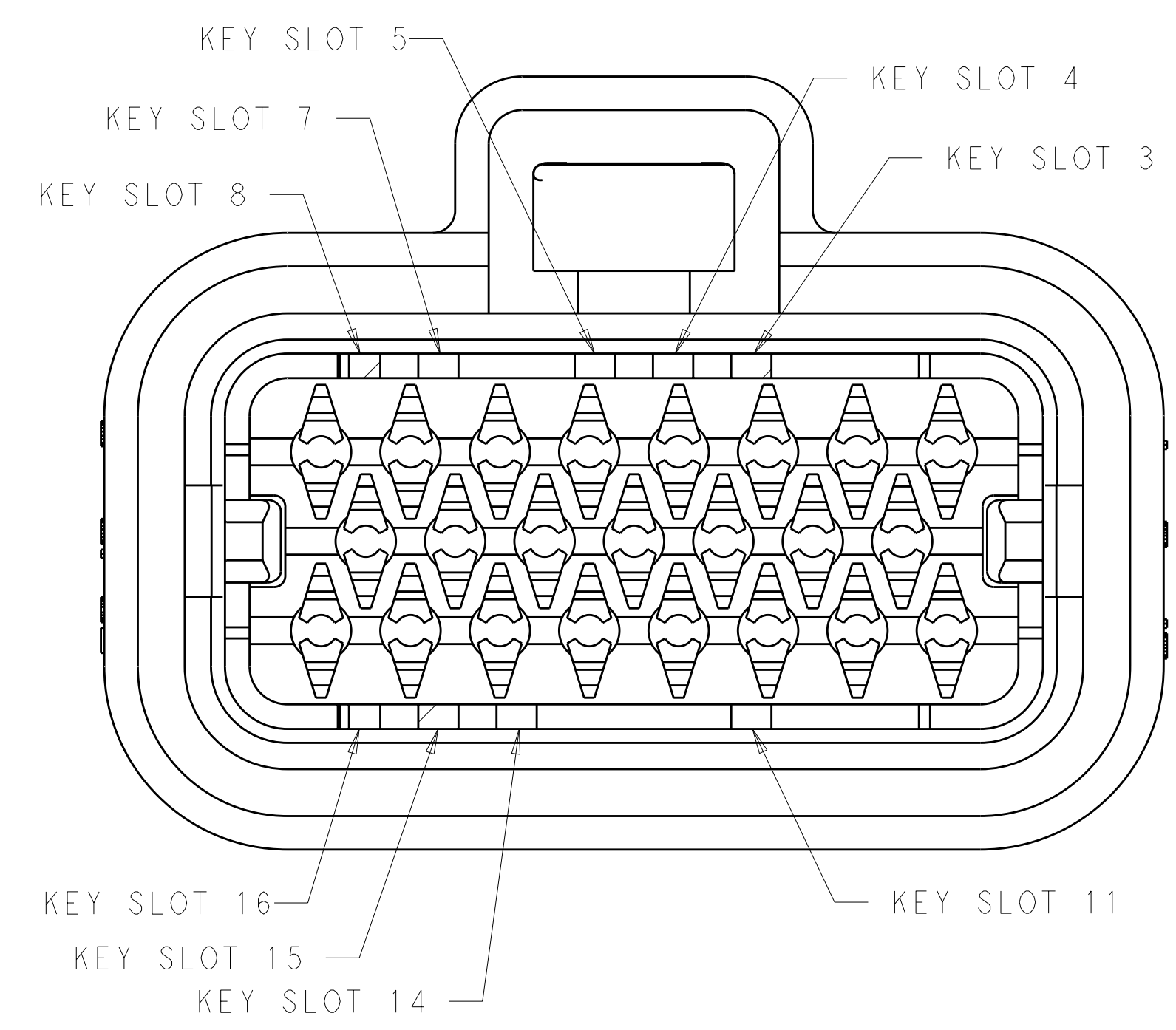


△ HOUSING COLORS ARE MECHANICALLY KEYED TO MATE WITH IDENTICALLY COLORED HEADER ASSEMBLIES.

2. 770680-1 SHOWN



BOTTOM VIEW WITH LOCKING WEDGE



KEY SLOT LOCATIONS

3, 8 & 16	770680-5
7 & 15	770680-4
4 & 14	770680-3
5 & 11	770680-2
4 & 14	770680-1
KEY SLOT LOCATION (SEE VIEW ABOVE)	PART NUMBER

GLASS FILLED PBT, BLACK	SILICONE RUBBER, RED	SILICONE RUBBER, RED	PBT, RED	PBT, BLUE	NONE	770680-5
				PBT, GRAY	NONE	770680-4
				PBT, BLACK	3, 7, 16, 17, 21, 22	770680-3
				PBT, NATURAL	NONE	770680-2
				PBT, BLACK	NONE	770680-1
COVER	WIRE SEAL	MATING SEAL	LOCKING WEDGE	△ HOUSING	CIRCUITS MOLDED CLOSED	PART NUMBER

THIS DRAWING IS A CONTROLLED DOCUMENT.

DMN: R. VESTAL 08SEP2009
 CHK: D. STRAUSSER 08SEP2009
 APPV: D. STRAUSSER 08SEP2009

NAME: **STE** TE Connectivity

PRODUCT SPEC: 108-1329
 APPLICATION SPEC: 114-16016

SIZE: A1
 CAGE CODE: 100779
 DRAWING NO: C-770680

RESTRICTED TO: L

CUSTOMER DRAWING

SCALE: 4:1 SHEET 1 OF 1 REV L