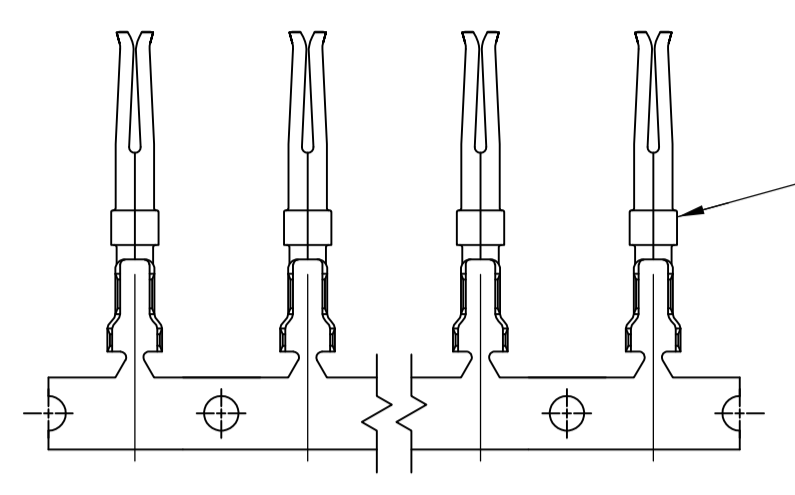
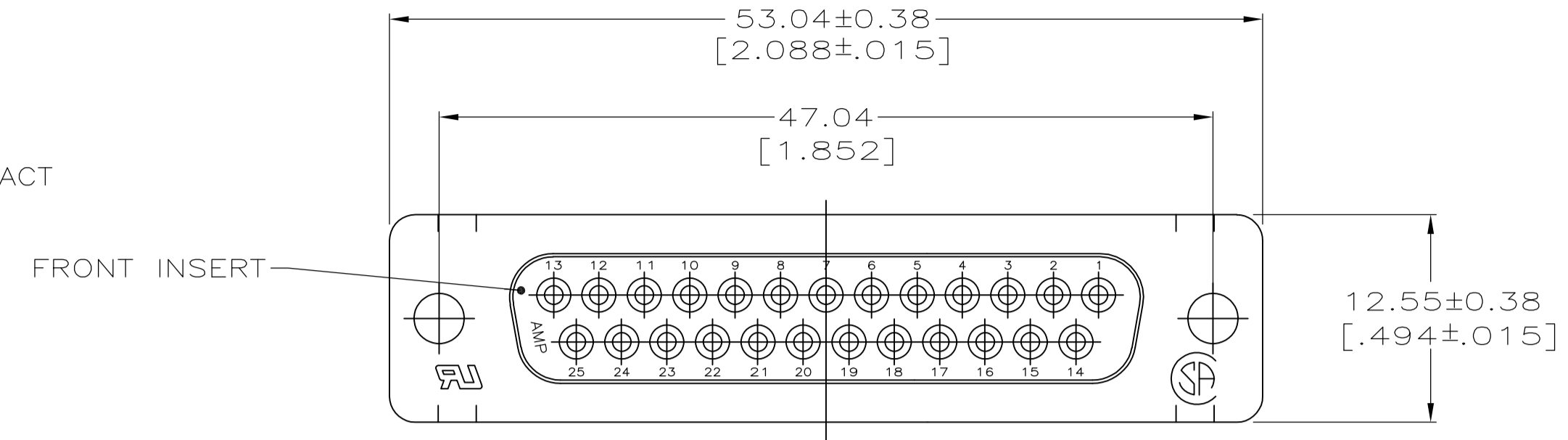


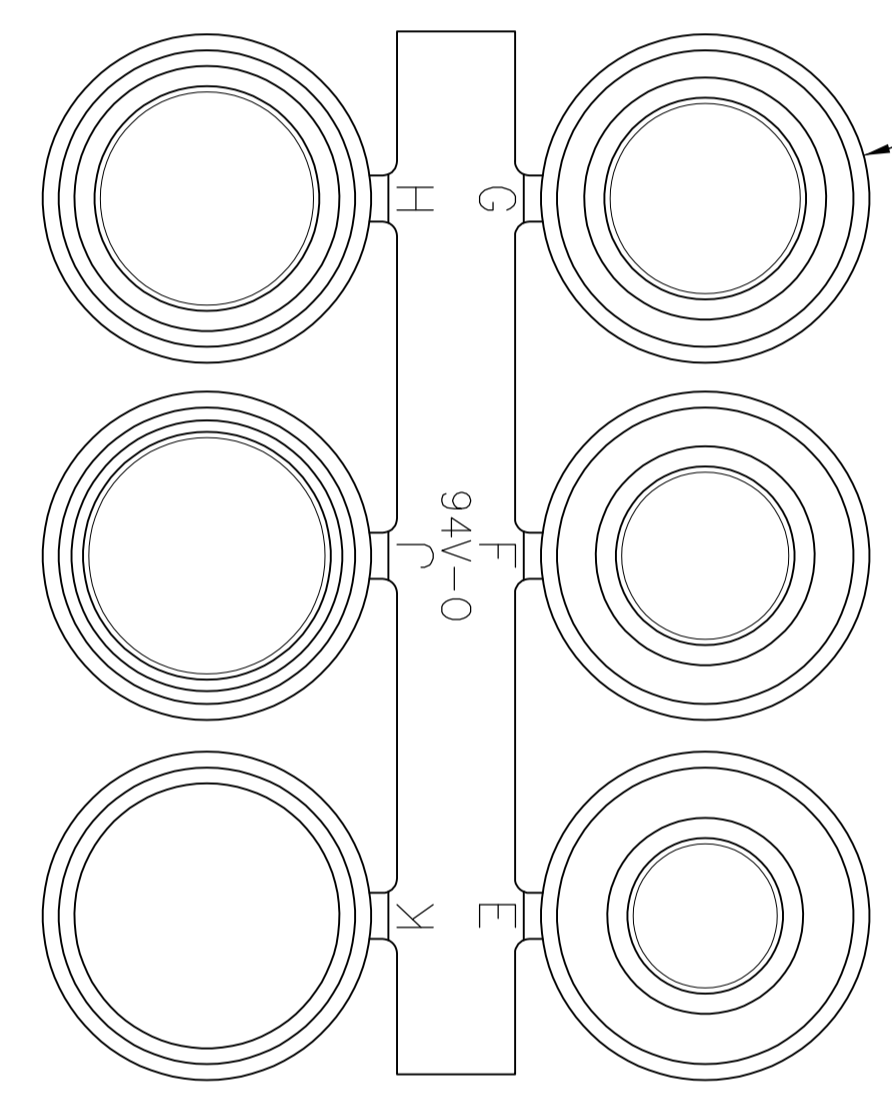
LOC		DIST		REVISONS			
P	LTR	DESCRIPTION	DATE	DN	APVD		
B		REVISED PER ECO-08-004975	3MAR08	JDP	CWR		



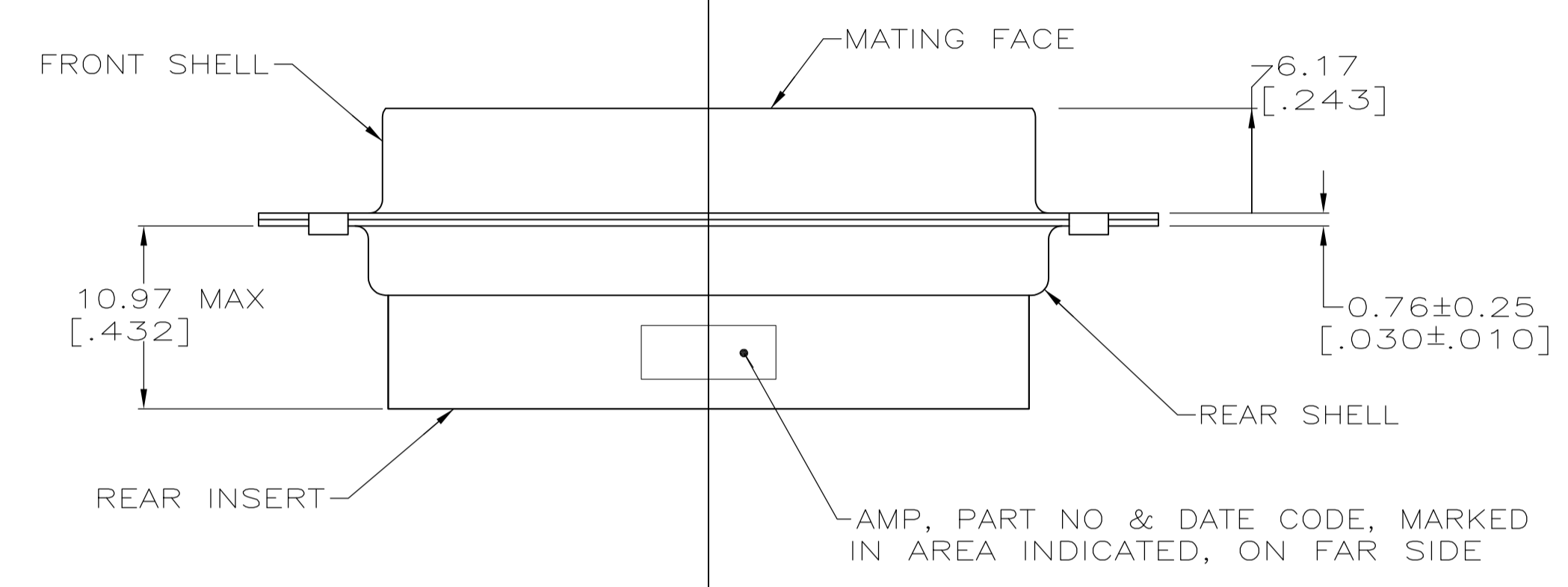
SOCKET CONTACT
QTY: 26



FRONT INSERT



GROMMET ASSORTMENT



FRONT SHELL

MATING FACE

76.17
[.243]

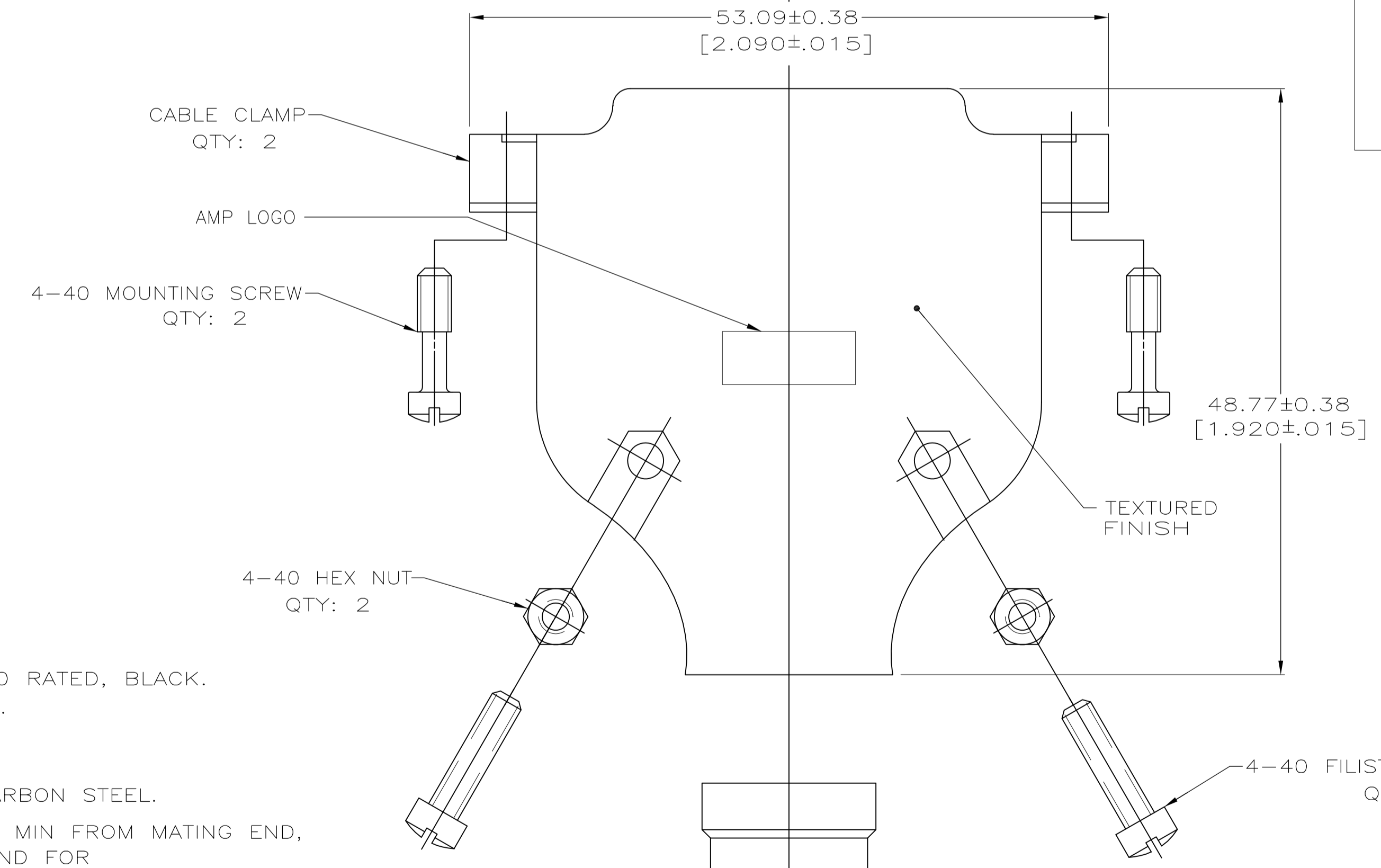
10.97 MAX
[.432]

0.76±0.25
[.030±.010]

REAR SHELL

REAR INSERT

AMP, PART NO & DATE CODE, MARKED IN AREA INDICATED, ON FAR SIDE



CABLE CLAMP
QTY: 2

AMP LOGO

4-40 MOUNTING SCREW
QTY: 2

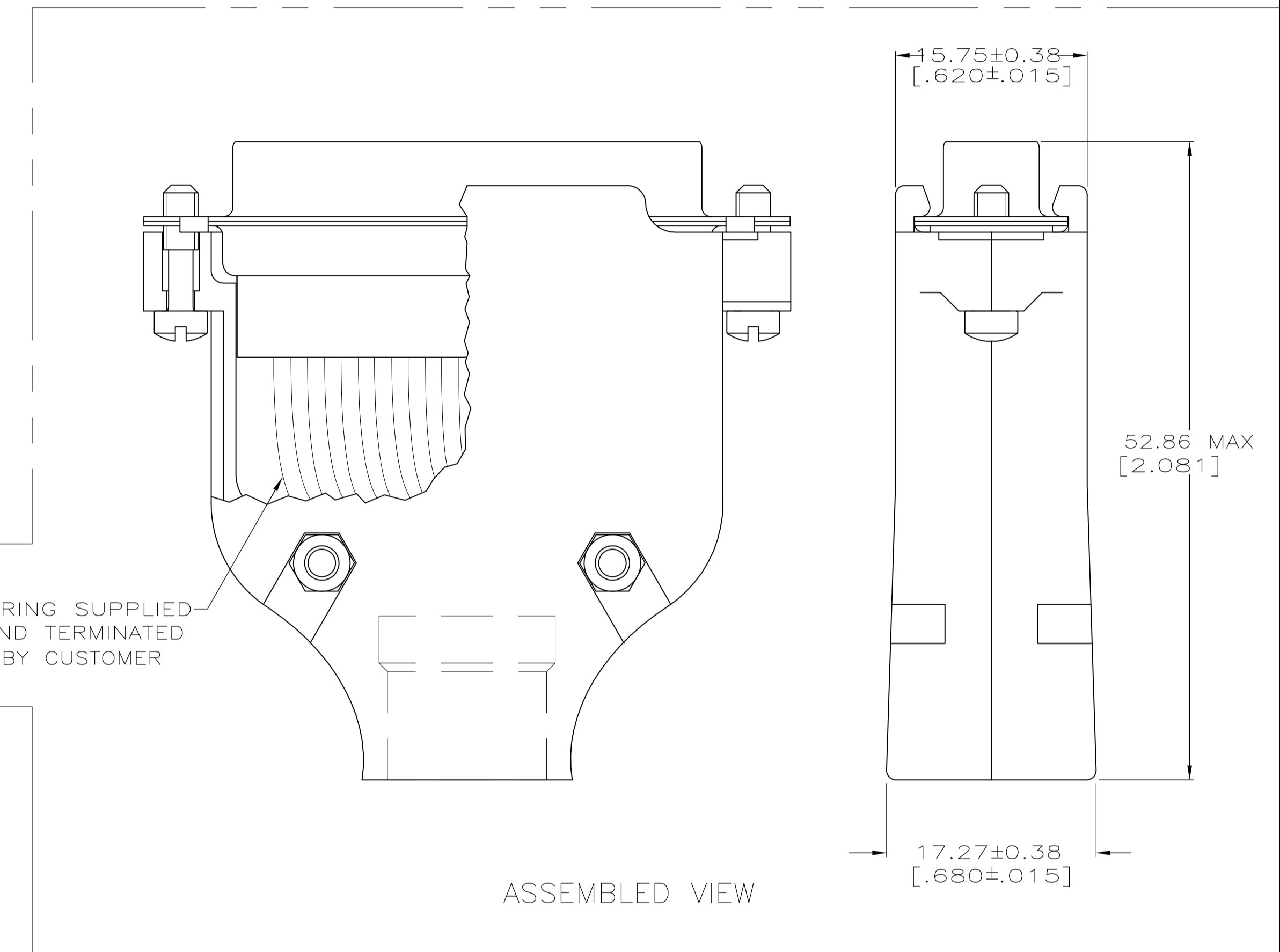
4-40 HEX NUT
QTY: 2

48.77±0.38
[1.920±.015]

TEXTURED FINISH

4-40 FILISTER HEAD SCREW
QTY: 2

GROMMET FROM ASSORTMENT
TO BE DETERMINED BY
CABLE DIAMETER



ASSEMBLED VIEW

1. CONTACTS ACCEPT 24-20 AWG RANGE.
2. INSERTS: NYLON, GLASS FILLED, UL 94V-0 RATED, BLACK.
3. GROMMETS: PVC, UL 94V-0 RATED, BLACK.
4. CONTACTS: PHOSPHOR BRONZE.
5. SHELLS: CARBON STEEL.
6. CABLE CLAMPS: ZINC; SCREWS & NUTS: CARBON STEEL.
7. GOLD FLASH FOR A LENGTH OF 2.54[.100] MIN FROM MATING END, 2.54µm[.000100] MIN TIN ON OPPOSITE END FOR A LENGTH OF 4.06 [.160] MIN FROM END OF INSULATION BARREL, BOTH OVER 0.76µm[.000030] MIN NICKEL ON ENTIRE CONTACT.
8. 5.08µm[.000200] MIN TIN OVER 2.54µm[.000100] MIN COPPER.
9. MOUNTING SCREWS & NUTS: 3.81µm[.000150] MIN ZINC, CLEAR CHROMATE COATED. FILISTER HEAD SCREWS: ZINC, CLEAR CHROMATE COATED.
10. CABLE CLAMPS: NICKEL OVER COPPER.

749806-9
PART NO

THIS DRAWING IS A CONTROLLED DOCUMENT.		DIN J. REITZEL 1AUG03	Tyco Electronics Corporation Harrisburg, PA 17105-3608	
DIMENSIONS: mm [INCHES]		CHK S. BOLASH 1AUG03	NAME M. WAMSLEY 1AUG03	
TOLERANCES UNLESS OTHERWISE SPECIFIED:		PRODUCT SPEC 108-40005		
0. PLC ± -		APPLICATION SPEC 114-40030		
1. PLC ± -		SIZE A1		
2. PLC ± 0.13[.005]		CAGE CODE 749806-9		
3. PLC ± -		WEIGHT -		
4. PLC ± -		RESTRICTED TO -		
ANGLES ± -		CUSTOMER DRAWING		
MATERIAL 3, 4, 5, 6		FINISH 7, 8, 9, 10		SCALE 2:1 SHEET 1 OF 1 REV B