
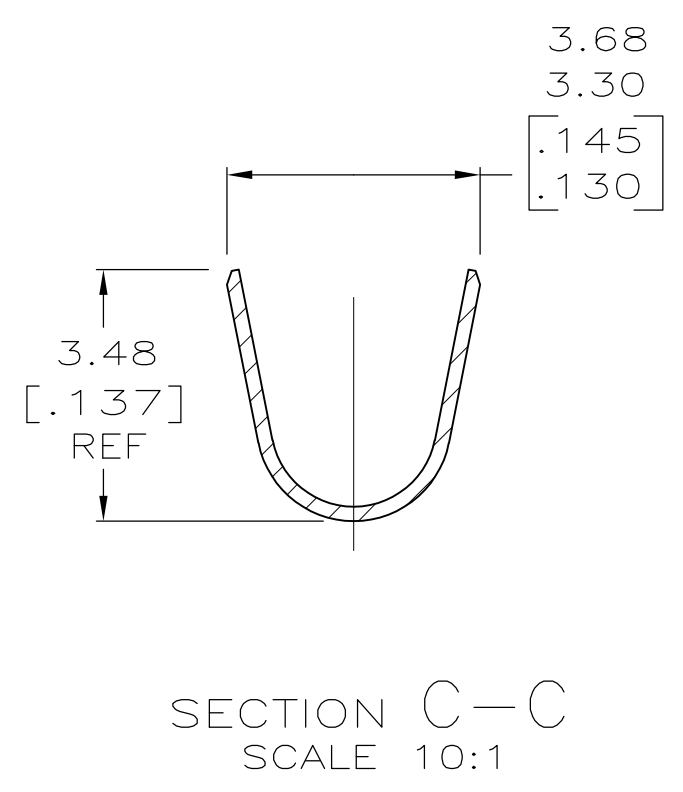
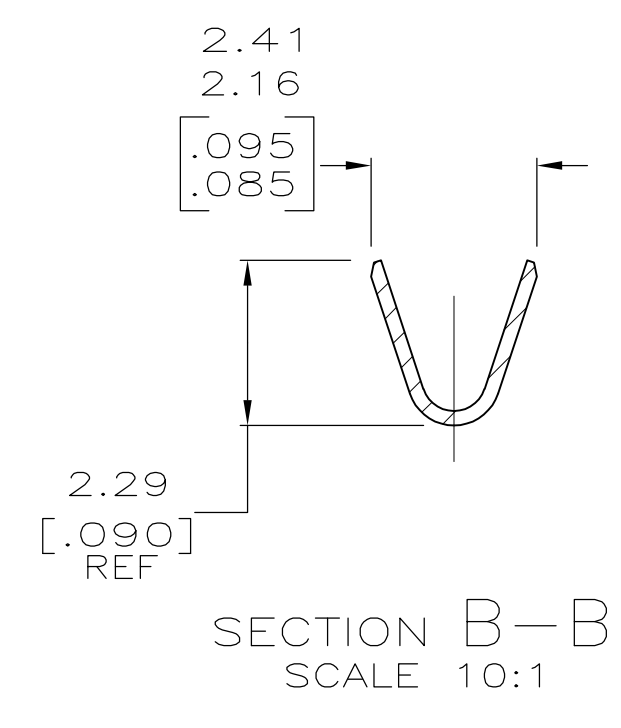
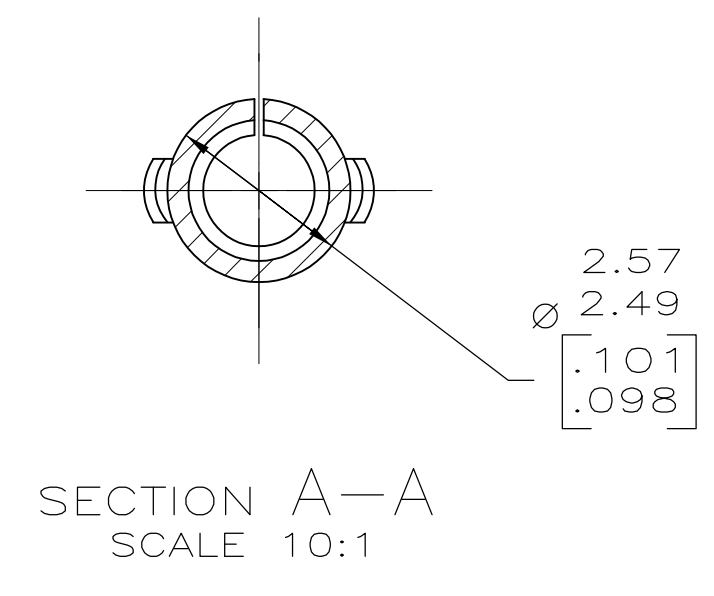
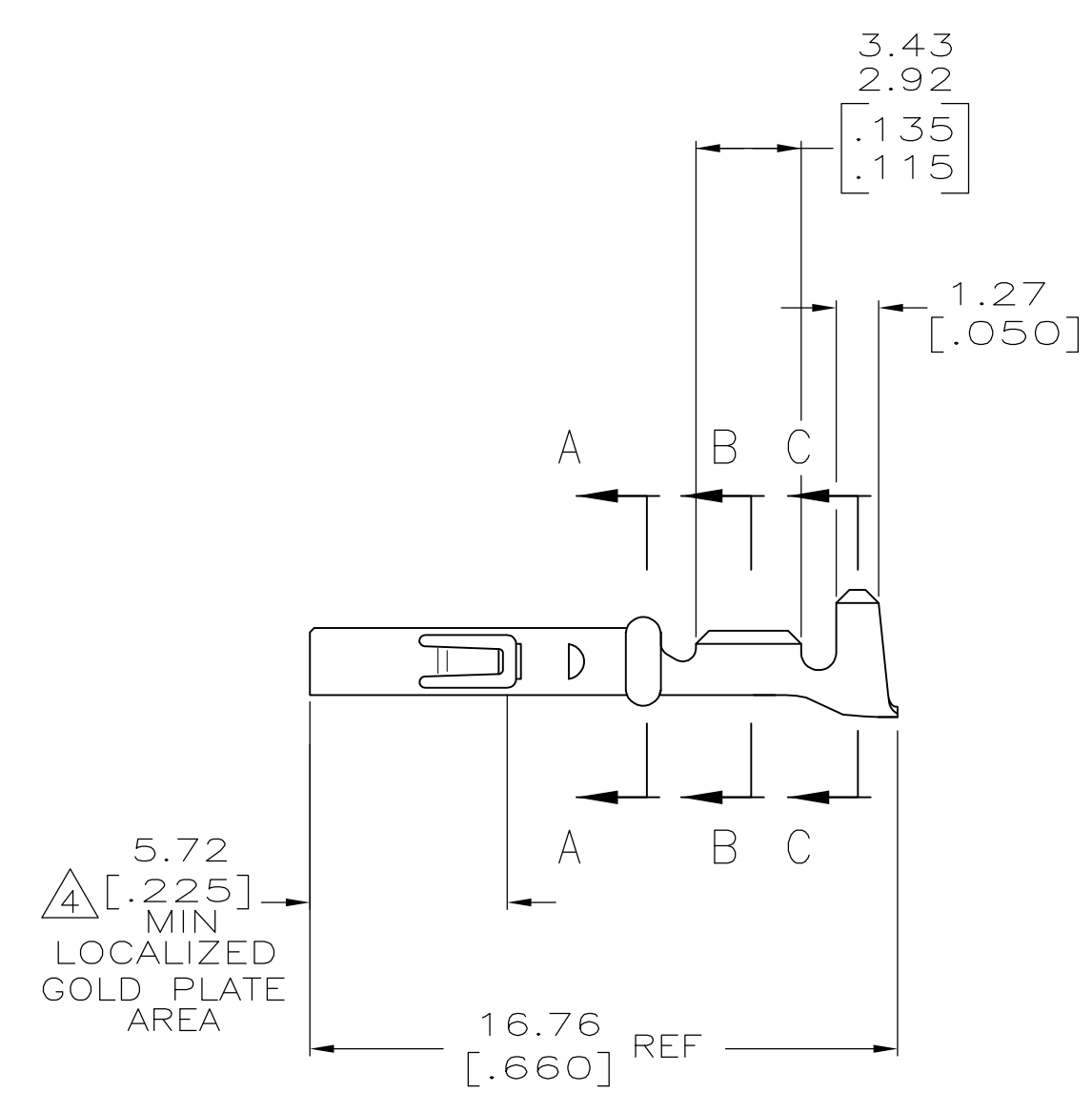
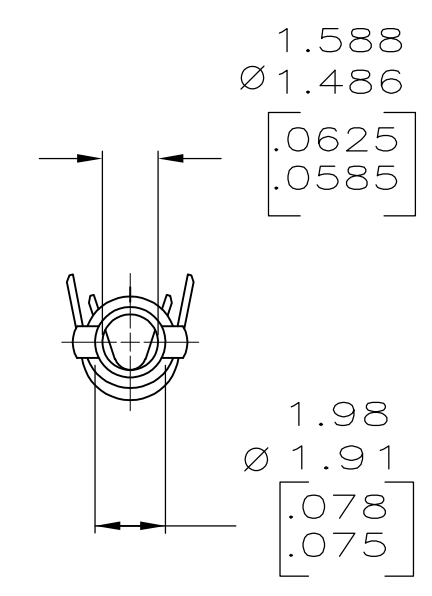
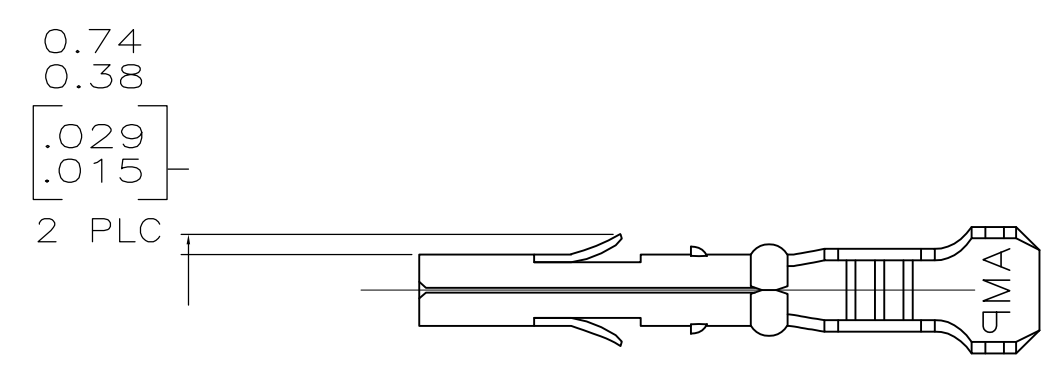



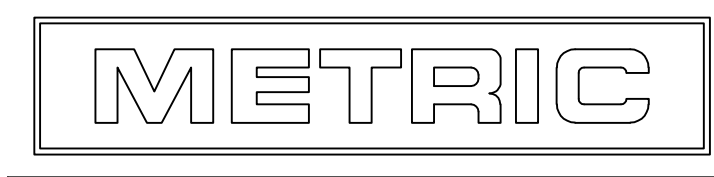
LOC		DIST		REVISIONS			
CM	52	P	LTR	DESCRIPTION	DATE	DWN	APPD
		B1		REVISED PER ECO-11-004820	11MAR11	RK	HMR

- 1 WIRE RANGE: 0.12-0.9mm<sup>2</sup> (26-18 AWG).
- 2 INSULATION RANGE: 1.27-2.92 [.050-.115] MAX. DIA.
- 3 DIMENSIONS IN BRACKETS ARE IN INCHES.
- 4  PLATE INTERNALLY WITH 0.00076 [.000030] MIN GOLD IN THE LOCALIZED GOLD PLATE AREA, GOLD FLASH ON THE REMAINDER, OVER 0.00127 [.000050] MIN NICKEL UNDERPLATE.



 GOLD STRIPE	0.20 [.008] PHOS BRZ	641300-2
PRE-TIN	0.20 [.008] PHOS BRZ	641300-1

FINISH		MATERIAL		PART NO	
THIS DRAWING IS A CONTROLLED DOCUMENT.					
DIMENSIONS: MM [INCHES]		TOLERANCES UNLESS OTHERWISE SPECIFIED:		APPROVED	
0 PLC ± -		1 PLC ± -		3-21-95	
2 PLC ± -		3 PLC ± 0.13 [.005]		3-21-95	
4 PLC ± -		ANGLES ± -		NAME	
MATERIAL SEE TABLE		FINISH SEE TABLE		STE TE Connectivity	
CUSTOMER DRAWING				RECEPTACLE, LOOSE PIECE, MR	
SIZE		CAGE CODE		DRAWING NO	
A1		00779		C=641300	
SCALE		SHEET		REV	
5:1		1 OF 1		B1	



THIS DRAWING IS A CONTROLLED DOCUMENT FOR AMP INCORPORATED. IT IS SUBJECT TO CHANGE AND THE CONTROLLING ENGINEERING ORGANIZATION SHOULD BE CONTACTED FOR THE LATEST REVISION.