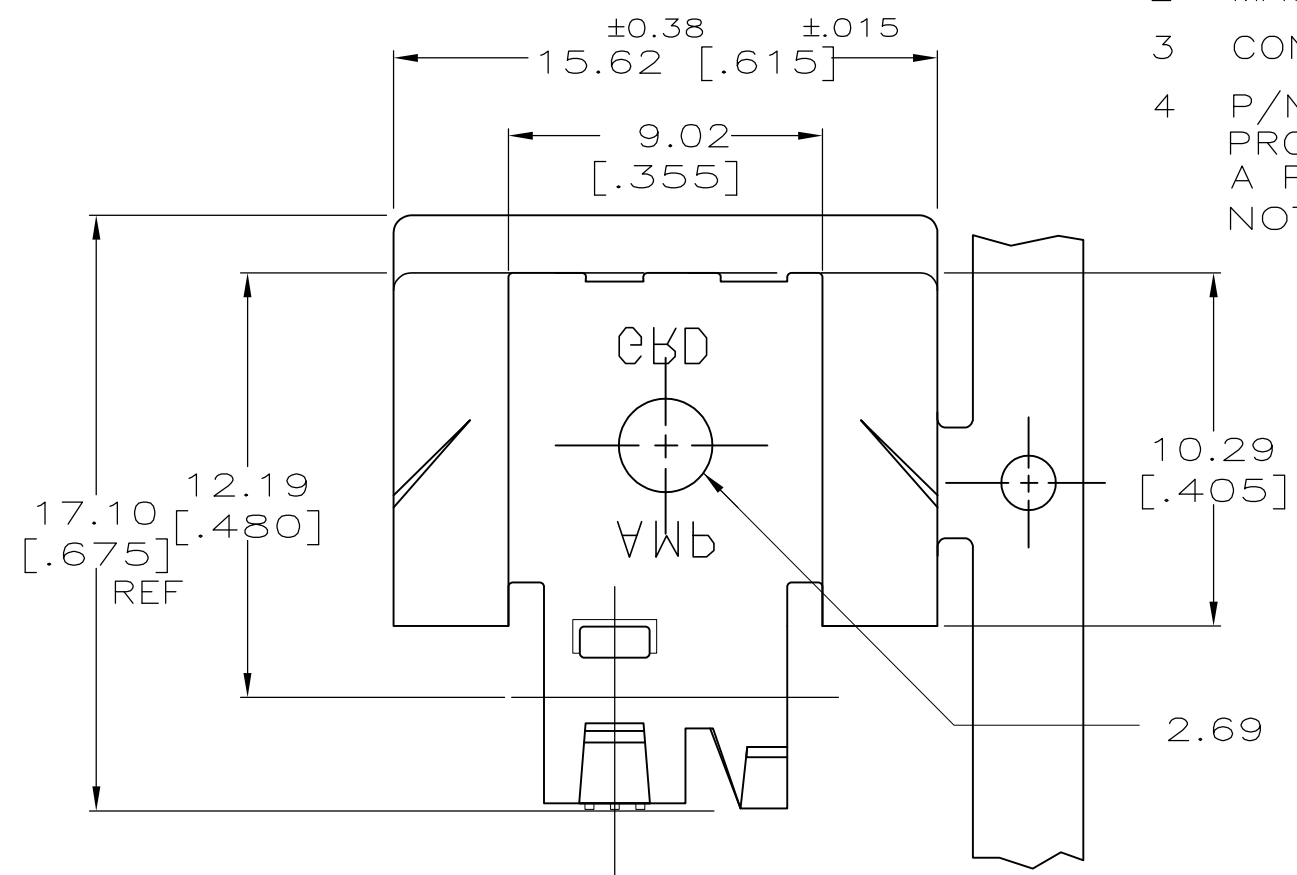
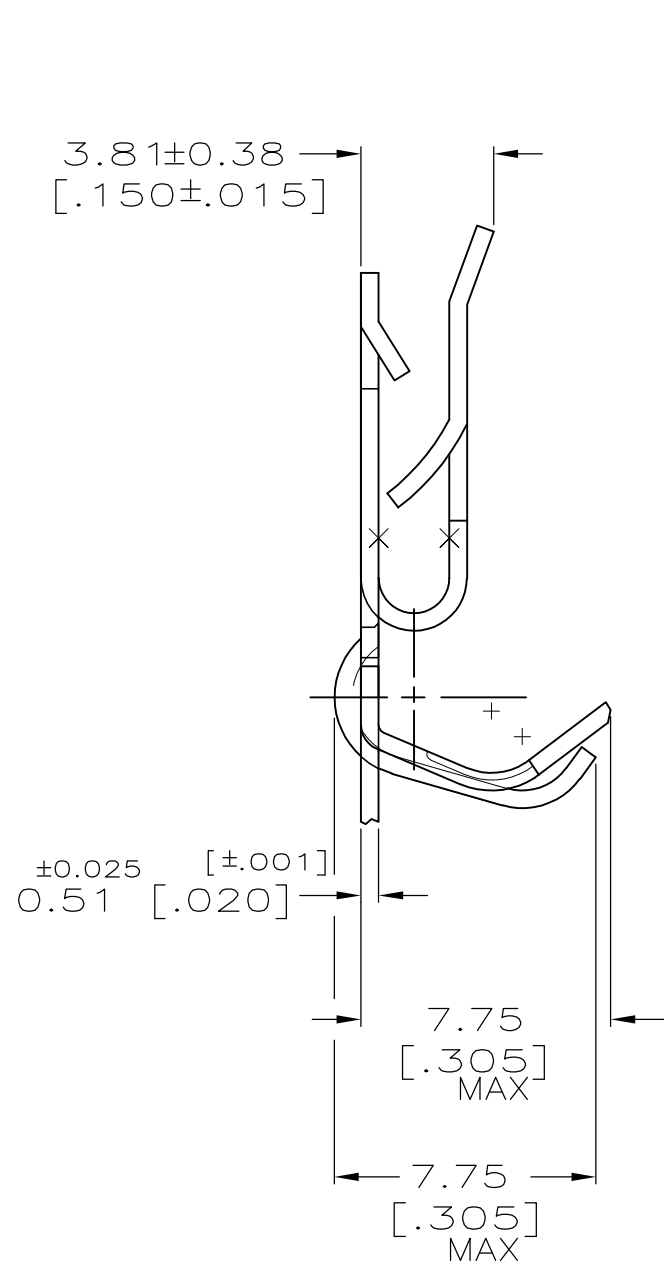


THIS DRAWING IS UNPUBLISHED. RELEASED FOR PUBLICATION
 © COPYRIGHT - By - ALL RIGHTS RESERVED.

LOC	DIST	REVISIONS					
AF	50	P	LTR	DESCRIPTION	DATE	DWN	APVD
		C1		REVISED PER ECO-11-004917	11MAR11	RK	HMR

- 1 PRE-TIN PL .000080 MIN THK PER MIL-T-10727A.
- 2 MATES WITH .019-.071 THK PANEL.
- 3 CONTINUOUS STRIP ON REELS.
- 4 P/N 63575-1 ONLY IS RELEASED FOR PRODUCTION, P/N 63575-2 IS STILL A PROPOSED DESIGN UNTIL FURTHER NOTICE.



PROPOSED DESIGN
 NOT RELEASED FOR
 PRODUCTION
 P/N 63575-2 ONLY

OBSOLETE	△	#4 HARD PHOS BRONZE	2.54-3.56 DIA	0.8-2.0mm ²	63575-2
	—	1/2 HARD SST	[.100-.140]	[18-14] AWG	63575-1
FINISH		MATERIAL	INSULATION RANGE	WIRE RANGE	PART NO

THIS DRAWING IS A CONTROLLED DOCUMENT.		DWN P FORTNEY 2/4/91	TE Connectivity				
DIMENSIONS: MM[INCHES]		CHK MS FEHER 2/5/91					
TOLERANCES UNLESS OTHERWISE SPECIFIED:		APVD K RANDOLPH 2/8/91	NAME				
0 PLC ± - 1 PLC ± - 2 PLC ± 0.25 [.010] 3 PLC ± - 4 PLC ± - ANGLES ± -		PRODUCT SPEC	CLIP, GROUNDING				
MATERIAL SEE TABLE		FINISH SEE TABLE	APPLICATION SPEC	SIZE A3	CAGE CODE 00779	DRAWING NO C-63575	RESTRICTED TO
CUSTOMER DRAWING			WEIGHT -	SCALE 5:1	SHEET 1 OF 1	REV C1	

