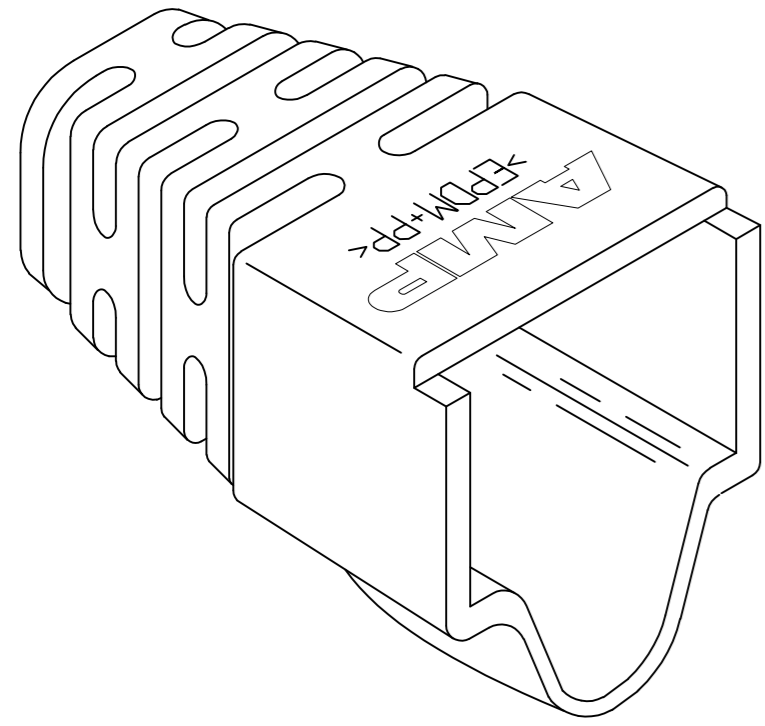
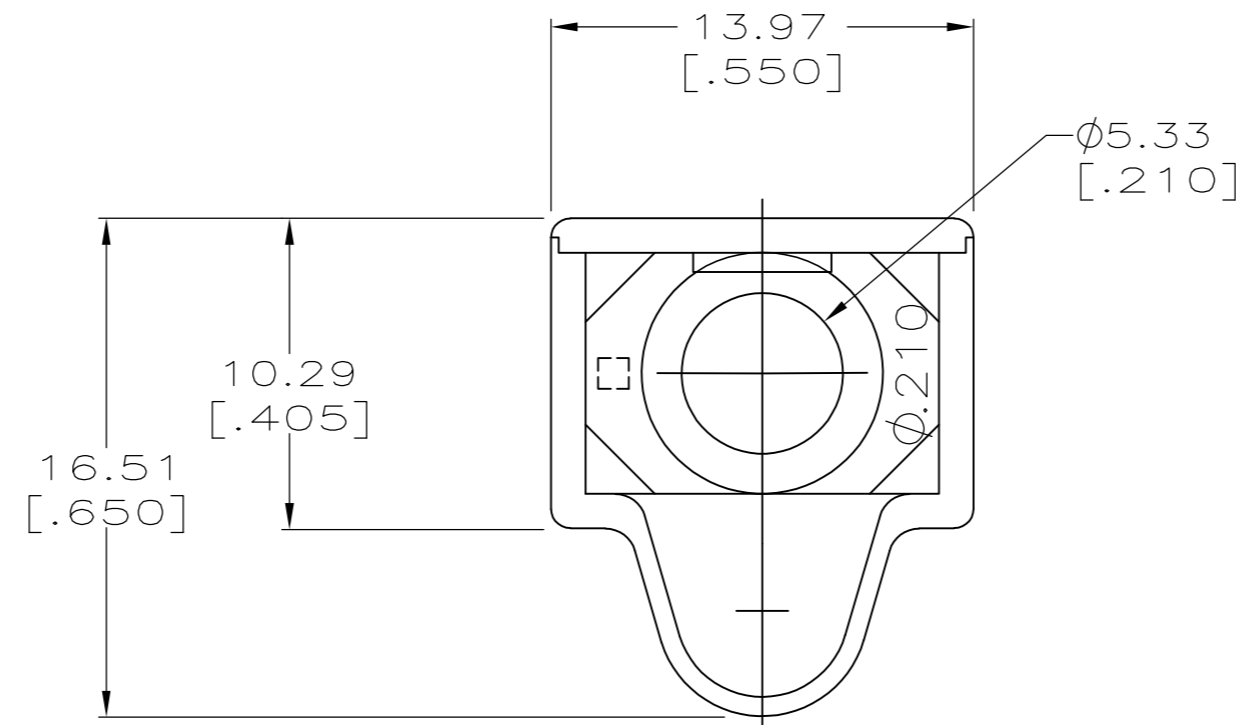
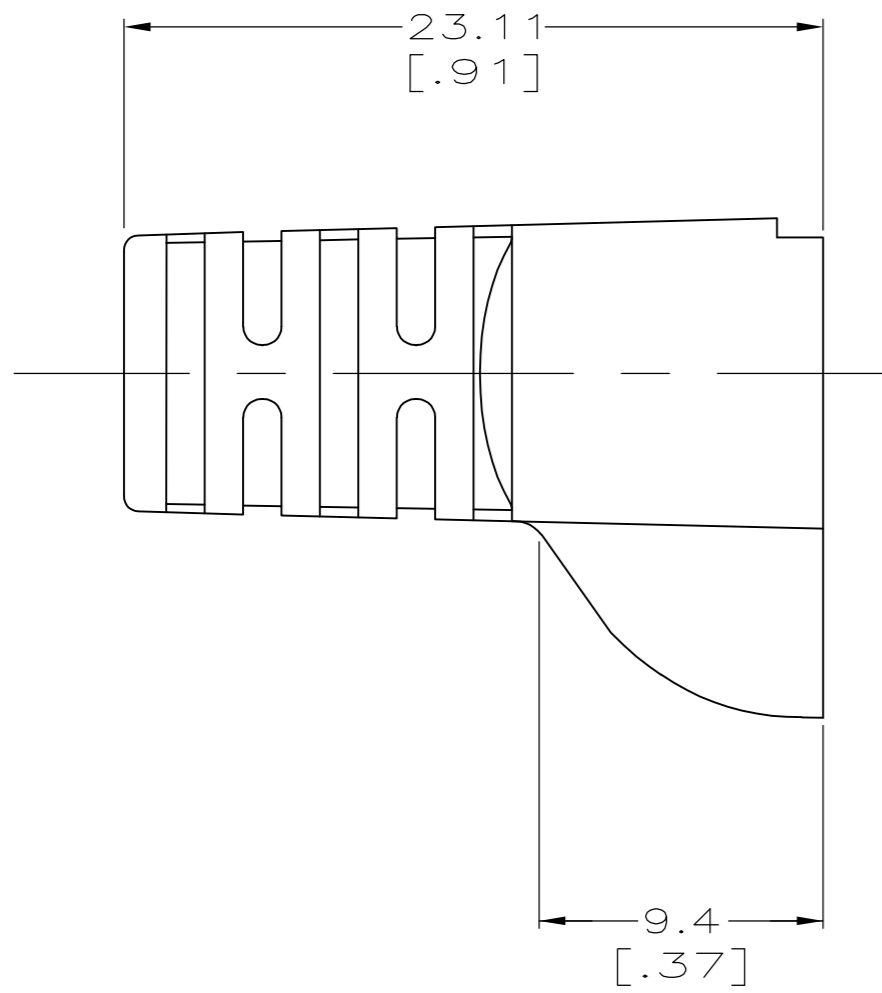


THIS DRAWING IS UNPUBLISHED. RELEASED FOR PUBLICATION
 © COPYRIGHT - By - ALL RIGHTS RESERVED.

LOC	DIST	REVISIONS					
AA	28	P	LTR	DESCRIPTION	DATE	DWN	APVD
		E1		REVISED PER ECO-11-005033	21MAR11	RK	HMR



- 1 MATERIAL: ELASTOMER POLYOLEFIN, SEE TABLE FOR COLOR.
- 2 DIMENSIONS ARE NOMINAL UNLESS OTHERWISE SPECIFIED.
- 3. BOOT DESIGNED TO FIT CABLE DIAMETER OF .210 NOMINAL.



NEMA GY	1-569875-0
VIOLET	569875-9
WHITE	569875-8
ORANGE	569875-7
YELLOW	569875-6
BLUE	569875-5
GREEN	569875-4
RED	569875-3
LT ALMOND	569875-2
BLACK	569875-1
COLOR	PART NUMBER

THIS DRAWING IS A CONTROLLED DOCUMENT.		DWN DL DRUMMOND 22 FEB 96																		
DIMENSIONS: mm [INCHES]		CHK D. AHERON 07 MAR 96																		
TOLERANCES UNLESS OTHERWISE SPECIFIED:		APVD B. ANTHONY 07 MAR 96																		
<table border="1"> <tr><td>0 PLC</td><td>±</td><td>-</td></tr> <tr><td>1 PLC</td><td>±</td><td>-</td></tr> <tr><td>2 PLC</td><td>±</td><td>-</td></tr> <tr><td>3 PLC</td><td>±</td><td>-</td></tr> <tr><td>4 PLC</td><td>±</td><td>-</td></tr> <tr><td>ANGLES</td><td>±</td><td>-</td></tr> </table>		0 PLC			±	-	1 PLC	±	-	2 PLC	±	-	3 PLC	±	-	4 PLC	±	-	ANGLES	±
0 PLC	±	-																		
1 PLC	±	-																		
2 PLC	±	-																		
3 PLC	±	-																		
4 PLC	±	-																		
ANGLES	±	-																		
MATERIAL	FINISH	WEIGHT	SIZE A2	CAGE CODE 00779	DRAWING NO C=569875	RESTRICTED TO														
			CUSTOMER DRAWING		SCALE 4:1	SHEET 1 OF 1	REV E1													