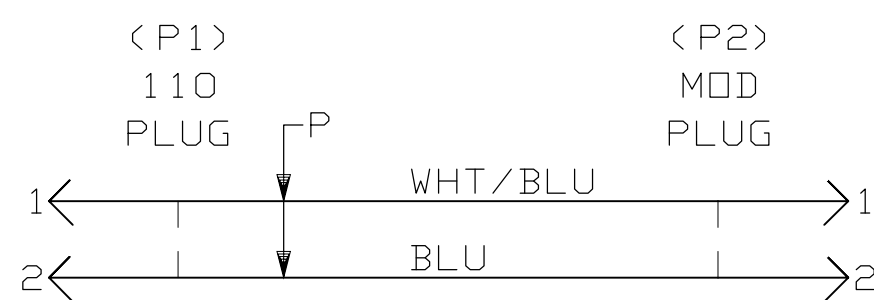
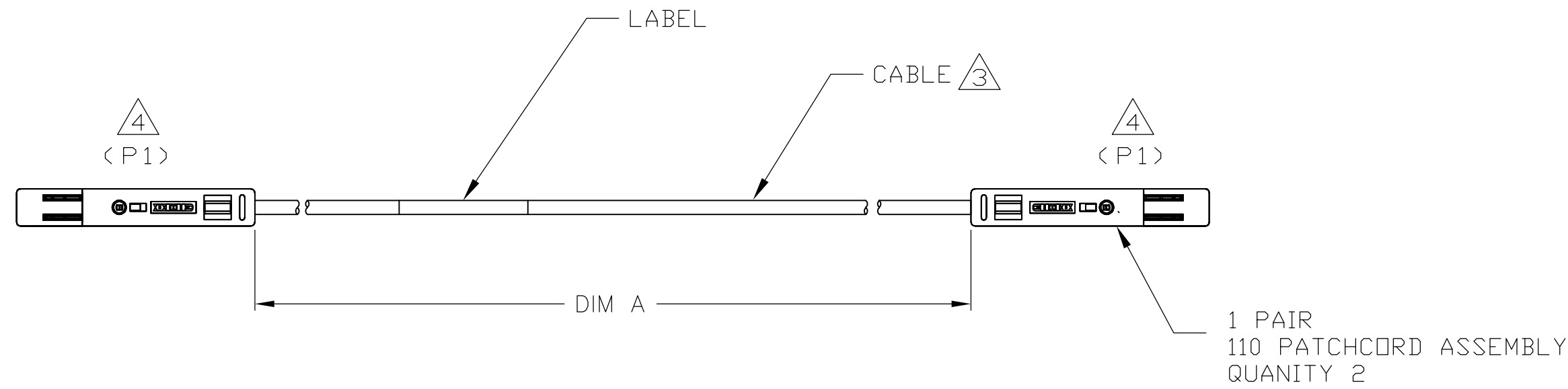


THIS DRAWING IS UNPUBLISHED. RELEASED FOR PUBLICATION
 © COPYRIGHT BY TYCO ELECTRONICS CORPORATION. ALL RIGHTS RESERVED.

LOC	DIST	REVISIONS					
		P	LTR	DESCRIPTION	DATE	DWN	APVD
EH	00		C	REV/EC-0B10-0079-02	09MAY02	LH	MD
			D	REV-EC 0B10-0111-03	15OCT03	LH	LS
			E	REV ECD-08-024786	07OCT08	LH	JG

- ONE CABLE PACKAGED IN A CLEAR POLY BAG.
- DIMENSIONS ARE MAXIMUM UNLESS OTHERWISE SPECIFIED.
- △ CABLE: UNSHIELDED 24 AWG, 1 TWISTED PAIR, 7/32 STRANDED CONDUCTORS, 100 OHMS, CATEGORY 5.
- △ DESIGNATIONS IN PARENTHESES () ARE FOR REFERENCE ONLY.



WIRING DIAGRAM

6.10	20	6197.6 [244.00]	2-569523-0
5.18	17	5283.2 [208.00]	1-569523-7
4.98	16	4978.4 [196.00]	1-569523-6
3.05	10	3149.6 [124.00]	1-569523-0
2.44	8	2489.2 [98.00]	569523-8
1.83	6	1879.6 [74.00]	569523-6
1.22	4	1270.0 [50.00]	569523-4
0.61	2	660.4 [26.00]	569523-2
METERS, REF		FEET, REF	PART NO.

THIS DRAWING IS A CONTROLLED DOCUMENT.		DWN T.SPRINKLE 27NOV95	Tyco Electronics Corporation Harrisburg, Pa., 17105-3608	
DIMENSIONS: MM [INCHES]		CHK D.AHERON 14DEC95	NAME B.ANTHONY 14DEC95	
TOLERANCES UNLESS OTHERWISE SPECIFIED:		APVD B.ANTHONY 14DEC95	PRODUCT SPEC	
0 PLC ±		APPLICATION SPEC		
1 PLC ±		SIZE		
2 PLC ±		CAGE CODE		
3 PLC ±		DRAWING NO		
4 PLC ±		RESTRICTED TO		
ANGLES ±		A2 00779 C=569523		
FINISH		SCALE NTS SHEET 1 OF 1 REV E		
MATERIAL		WEIGHT		
△ 3		CUSTOMER DRAWING		