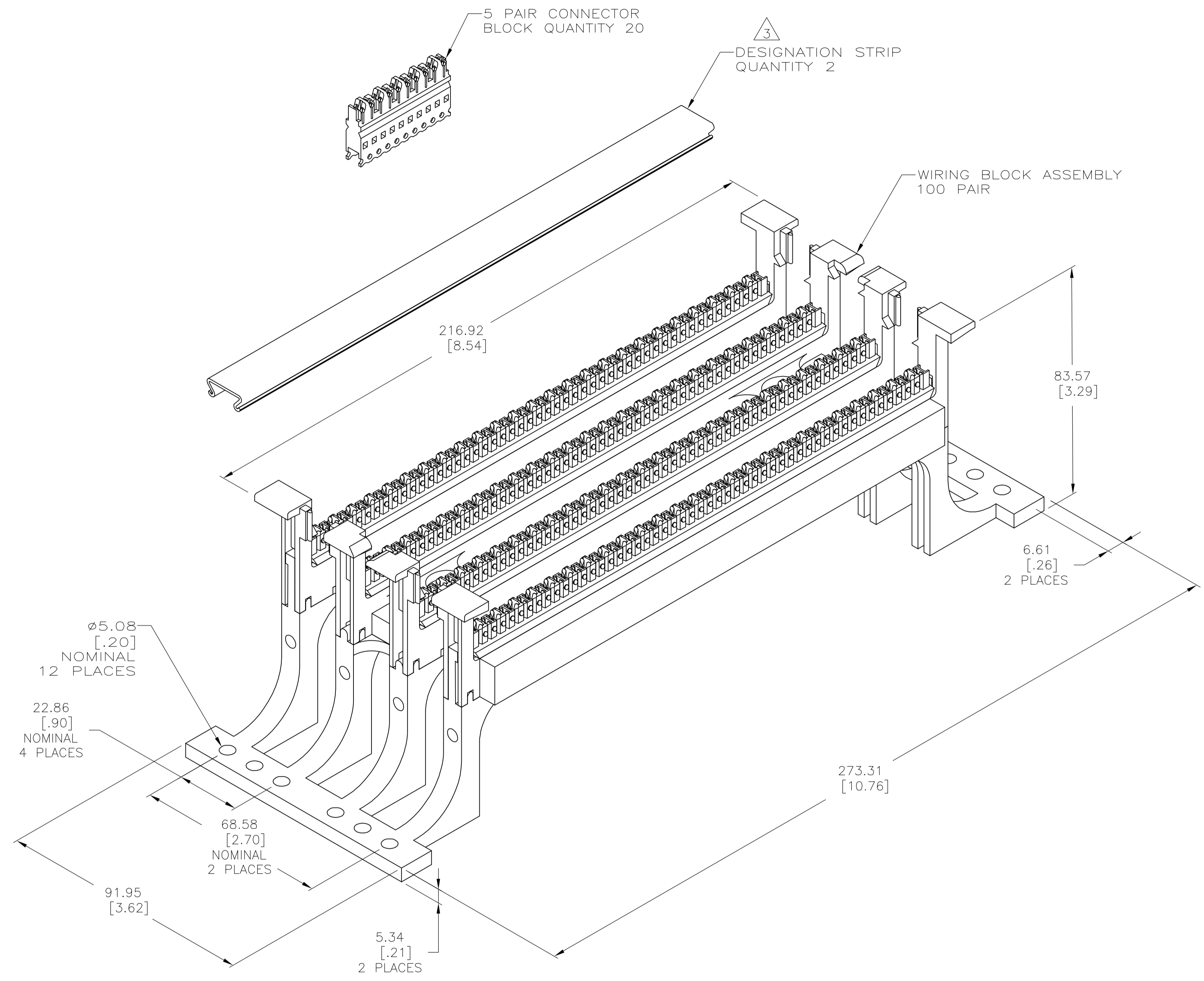


LOC	DIST	REVISIONS				
AA	28	REV	DESCRIPTION	DATE	DWN	APVD
		B	ADD: 3/1; NPR C98-62 & EC 0502-0208-98-27-98	17JUL06	GG	SH
		C	REV-ECD-06-017000	17JUL06	LH	SH



- 1. DIMENSIONS ARE MAXIMUM UNLESS OTHERWISE SPECIFIED.
- 2. MATERIAL: WIRING BLOCK ASSEMBLY AND CONNECTOR BLOCK- POLYCARBONATE MOLDING COMPOUND, FLAME RETARDANT, IVORY.
 DESIGNATION STRIP- RIGID PVC, CLEAR.
 TERMINALS- PHOSPHOR BRONZE PLATED WITH 3.81µm [.000150] MINIMUM BRIGHT MATTE-TIN OVER 1.27µm [.000050] MINIMUM NICKEL UNDERPLATE.
- 3. WHITE, DESIGNATION STRIP LABEL NOT SHOWN, QUANTITY 2.
- 4. PACKAGE ONE KIT PER POLYBAG.
- 5. LACING STRIPS MARKED BLACK EVERY FIFTH PAIR.
- 6. SEE RESTRICTED CUSTOMER DRAWING 3-569440-1.

569440-1
 PART NO.

THIS DRAWING IS A CONTROLLED DOCUMENT.		DWN L. SMITH 9-19-95		Tyco Electronics Corporation Harrisburg, Pa 17105-3608																				
DIMENSIONS: mm [INCHES]		CHK B. FOX 11-01-95		APVD D. WILLIS 11-01-95	NAME 110 CROSS CONNECT KIT, 100 PAIR, WITH LEGS, 5 PAIR CONNECTOR BLOCK																			
TOLERANCES UNLESS OTHERWISE SPECIFIED:		<table border="1"> <tr><td>0 PLC</td><td>±</td><td>-</td></tr> <tr><td>1 PLC</td><td>±</td><td>-</td></tr> <tr><td>2 PLC</td><td>±</td><td>-</td></tr> <tr><td>3 PLC</td><td>±</td><td>-</td></tr> <tr><td>4 PLC</td><td>±</td><td>-</td></tr> <tr><td>ANGLES</td><td>±</td><td>-</td></tr> </table>		0 PLC	±	-	1 PLC	±	-	2 PLC	±	-	3 PLC	±	-	4 PLC	±	-	ANGLES	±	-	PRODUCT SPEC		RESTRICTED TO
0 PLC	±	-																						
1 PLC	±	-																						
2 PLC	±	-																						
3 PLC	±	-																						
4 PLC	±	-																						
ANGLES	±	-																						
MATERIAL		FINISH		SIZE A1	CAGE CODE 00779																			
CUSTOMER DRAWING		DRAWING NO. 569440		SCALE 1:1	SHEET 1 OF 1																			