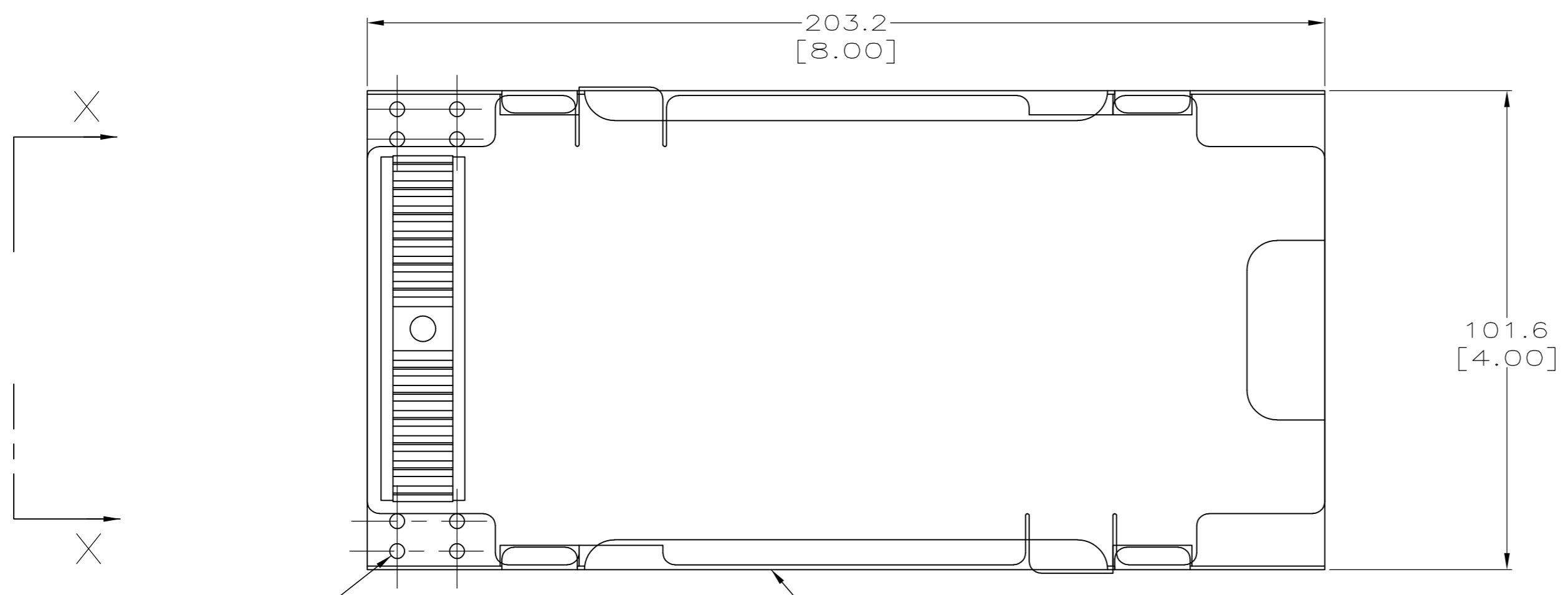


THIS DRAWING IS UNPUBLISHED. RELEASED FOR PUBLICATION
 © COPYRIGHT BY TYCO ELECTRONICS CORPORATION. ALL INTERNATIONAL RIGHTS RESERVED.

LOC	DIST	REVISIONS			
P	LTR	DESCRIPTION	DATE	DWN	APVD
HM	00				
	A	REV PER EC 0A00-0543-00	7-7-00	DM	DM
	B	OBS -1, -4; REV-ECO-09-016458	09OCT09	LH	JS

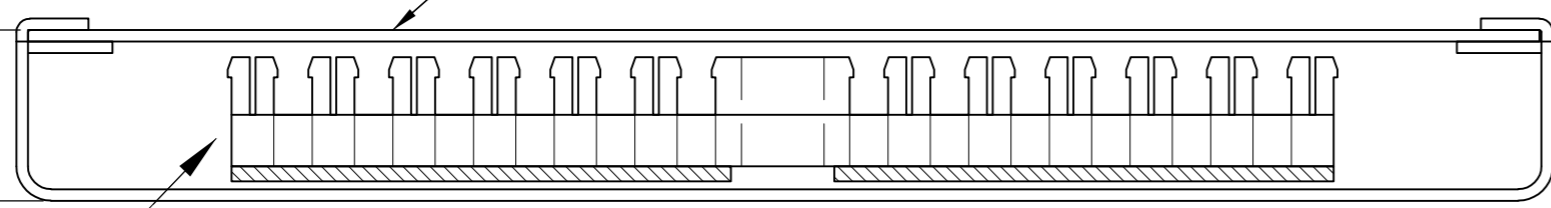


Ø3.18
[.13]
TYP

TRAY
MATERIAL: ALUMINUM
FINISH: BLACK ANODIZED

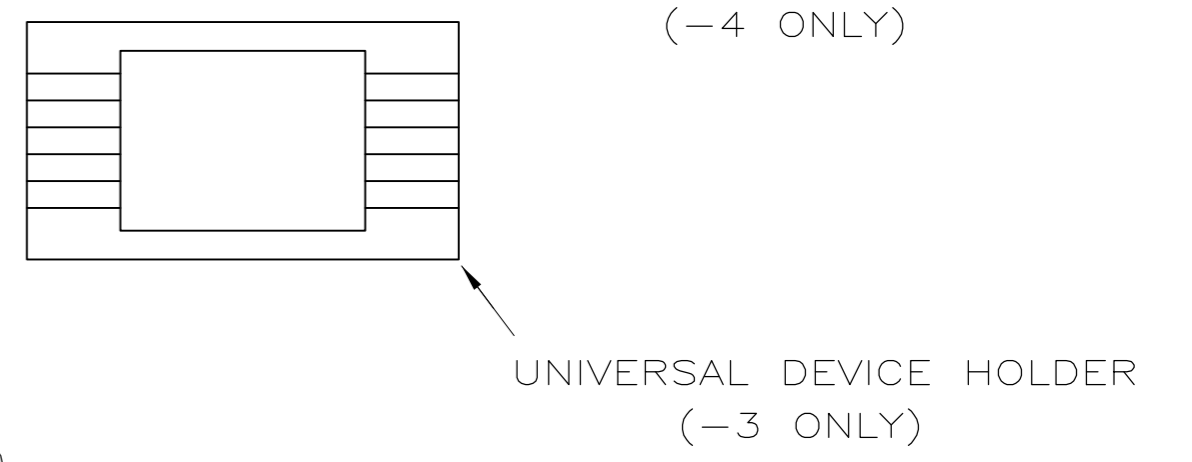
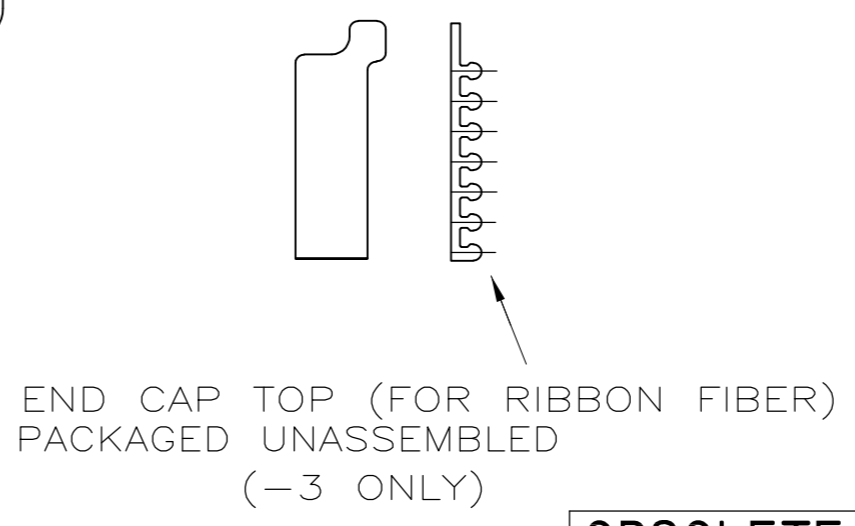
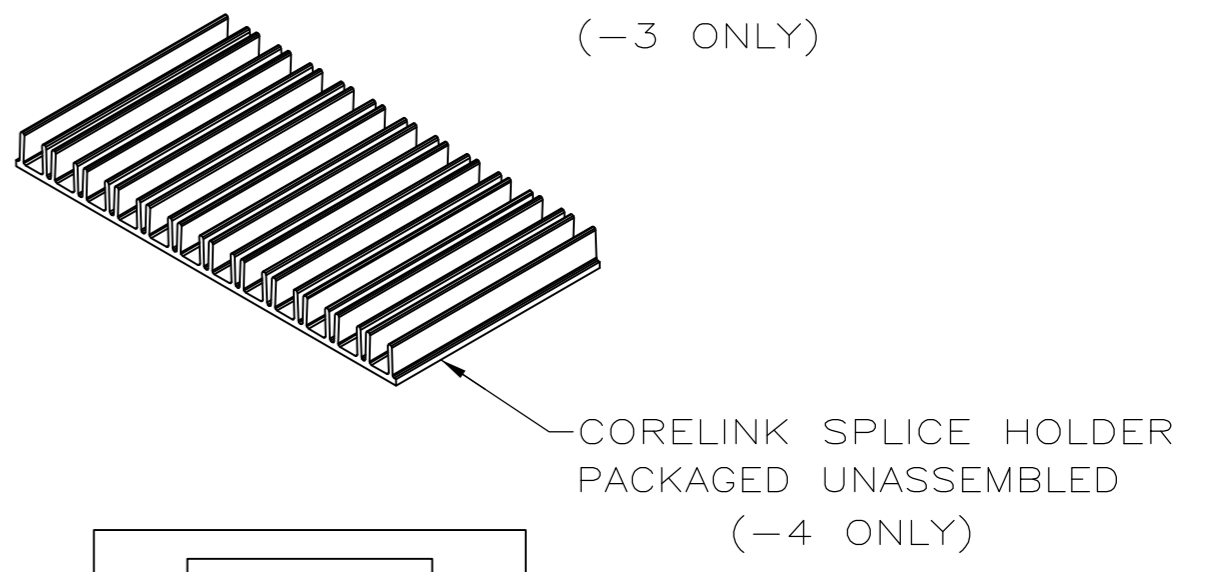
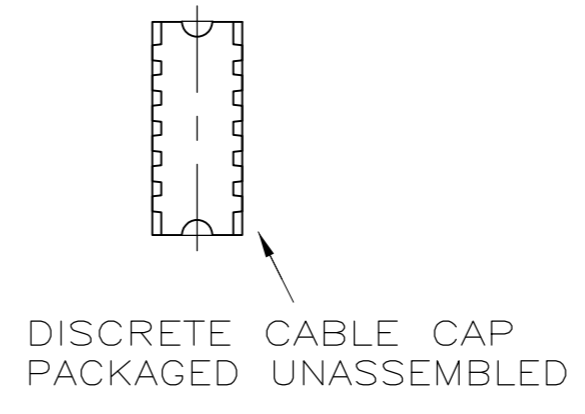
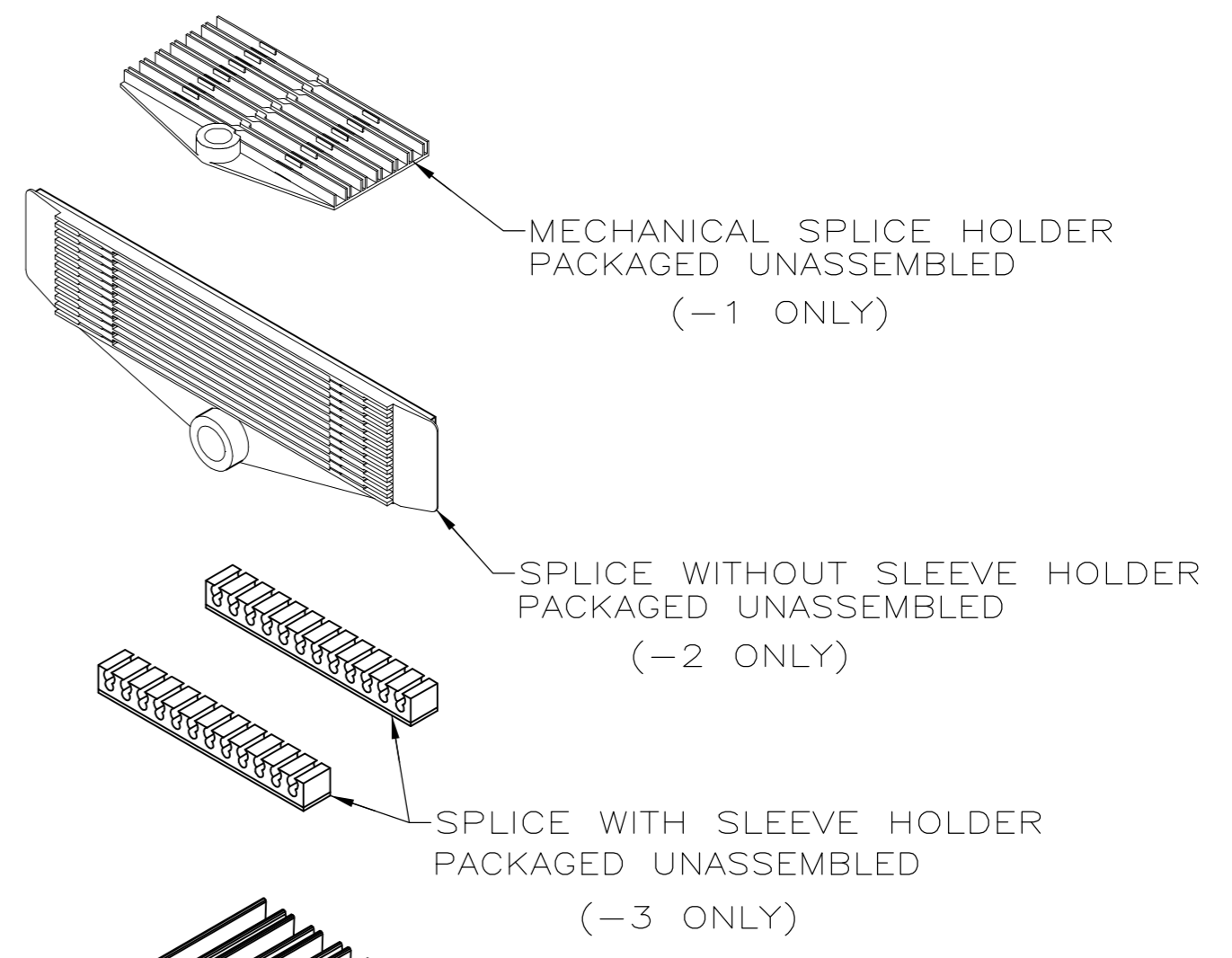
COVER
MATERIAL: CLEAR POLYCARBONATE

11.3
[.45]



VIEW X-X
SCALE 2:1

END CAP AND DISCRETE CABLE CAP
MATERIAL: THERMOPLASTIC ELASTOMER
DISCRETE CABLE CAP PACKAGED UNASSEMBLED



- THE FOLLOWING PARTS ARE BAGGED AND PROVIDED WITH TRAY
 - 1 12 LINE SPLICE LABEL
 - 1 WARNING LABEL

OBSOLETE	CORELINK SPLICE	559433-4
	FUSION SPLICE W SLEEVE	559433-3
	FUSION SPLICE W/O SLEEVE	559433-2
OBSOLETE	MECHANICAL SPLICE	559433-1
	SPLICE HOLDER	PART NO

THIS DRAWING IS A CONTROLLED DOCUMENT.		DWN J.HOFFER 5-15-96	Tyco Electronics Corporation Harrisburg, PA 17105-3608	
DIMENSIONS: mm [INCHES]		CHK J.W.DAVIS 5-15-96		
TOLERANCES UNLESS OTHERWISE SPECIFIED:		APVD B BARRY 5-15-96	NAME WIMS, SPLICE TRAY ASSY	
0 PLC ± -	1 PLC ± -	PRODUCT SPEC -	SIZE A2	
2 PLC ± 0.8[.03]	3 PLC ± 0.25[.010]	APPLICATION SPEC -	CAGE CODE 00779	DRAWING NO C=559433
4 PLC ± -	ANGLES ± -	WEIGHT -	RESTRICTED TO -	
MATERIAL 14 GA ALUMINUM	FINISH LT ALMOND ENAMEL	CUSTOMER DRAWING	SCALE 1:1	SHEET 1 OF 1