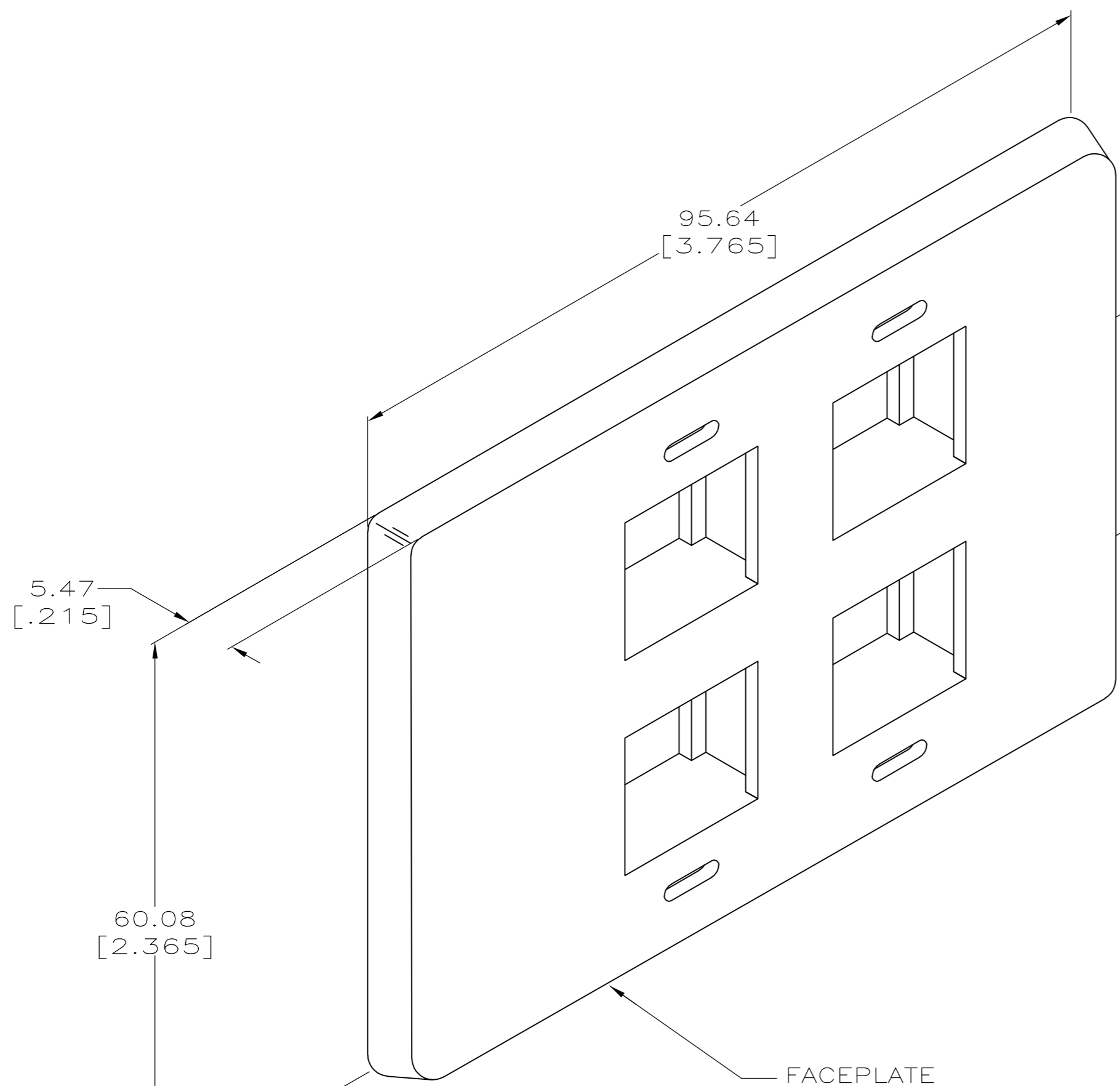
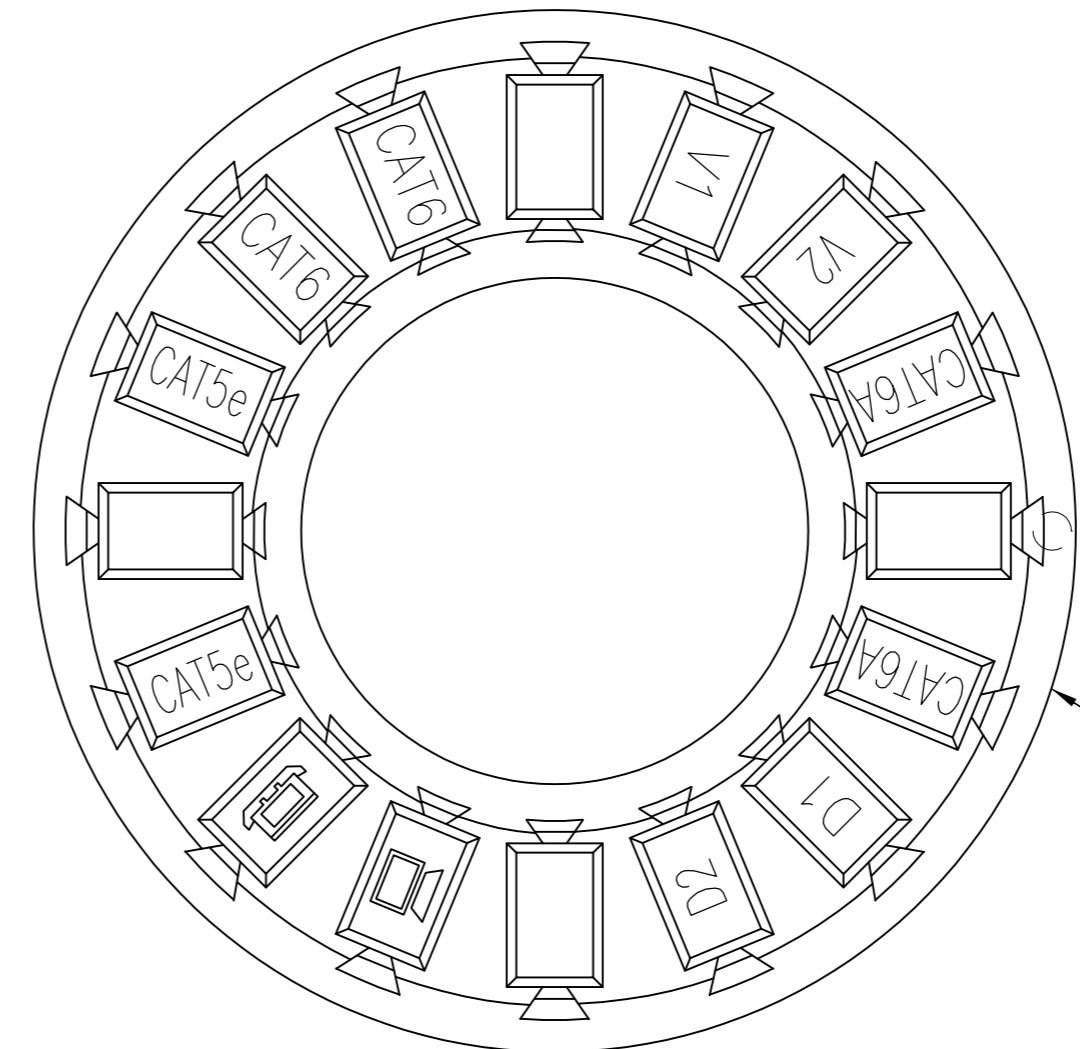
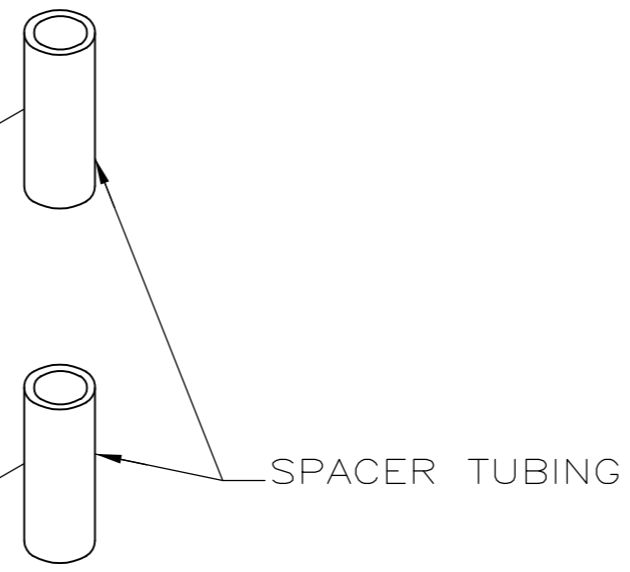


THIS DRAWING IS UNPUBLISHED. RELEASED FOR PUBLICATION
 © COPYRIGHT BY TYCO ELECTRONICS CORPORATION. ALL INTERNATIONAL RIGHTS RESERVED.

LOC	DIST	REVISIONS					
		P	LTR	DESCRIPTION	DATE	DWN	APVD
HM	00		B	REV ECO-09-023707	23OCT09	LH	RA
			C	REV ECO-10-011451	01JUN2010	LH	RA



- 1 DIMENSIONS ARE MAXIMUM UNLESS OTHERWISE SPECIFIED.
- 2 MATERIAL: FACEPLATE- POLYCARBONATE MOLDING COMPOUND, BLACK.
SPACER TUBE- POLYOLEFIN, BLACK.
ICON- ABS MOLDING COMPOUND.



NEMA GRAY	558357-4
SOFT WHITE	558357-2
BLACK	558357-1
COLOR	PART NO.

THIS DRAWING IS A CONTROLLED DOCUMENT.		DWN B. SIMPSON 3-3-94	Tyco Electronics Corporation Harrisburg, PA 17105-3608	
DIMENSIONS: INCHES		CHK C.WHITT 3-16-94	NAME FACEPLATE KIT, 4 PORT, 110 JACKS, FLUSH MOUNTING, HERMAN/MILLER, FLEXMODE	
TOLERANCES UNLESS OTHERWISE SPECIFIED: 0 PLC ± - 1 1 PLC ± - 1 2 PLC ± - 1 3 PLC ± - 1 4 PLC ± - 1 ANGLES ± - 1		APVD -	PRODUCT SPEC -	
MATERIAL		APPLICATION SPEC 408-9956	SIZE A2	CAGE CODE 00779
FINISH -		WEIGHT -	DRAWING NO C=558357	RESTRICTED TO -
CUSTOMER DRAWING			SCALE 2:1	SHEET 1 of 1
			REV C	

558357