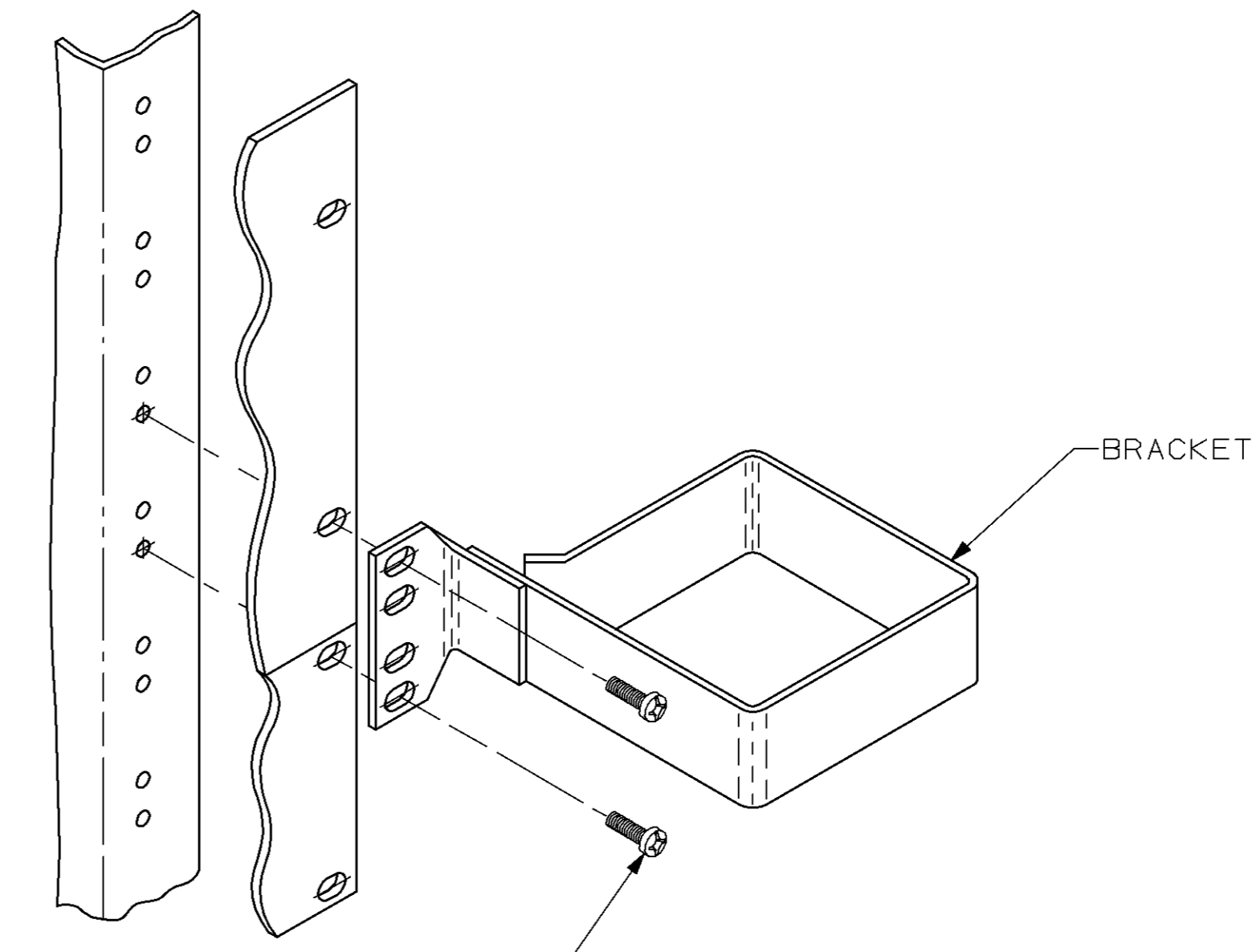
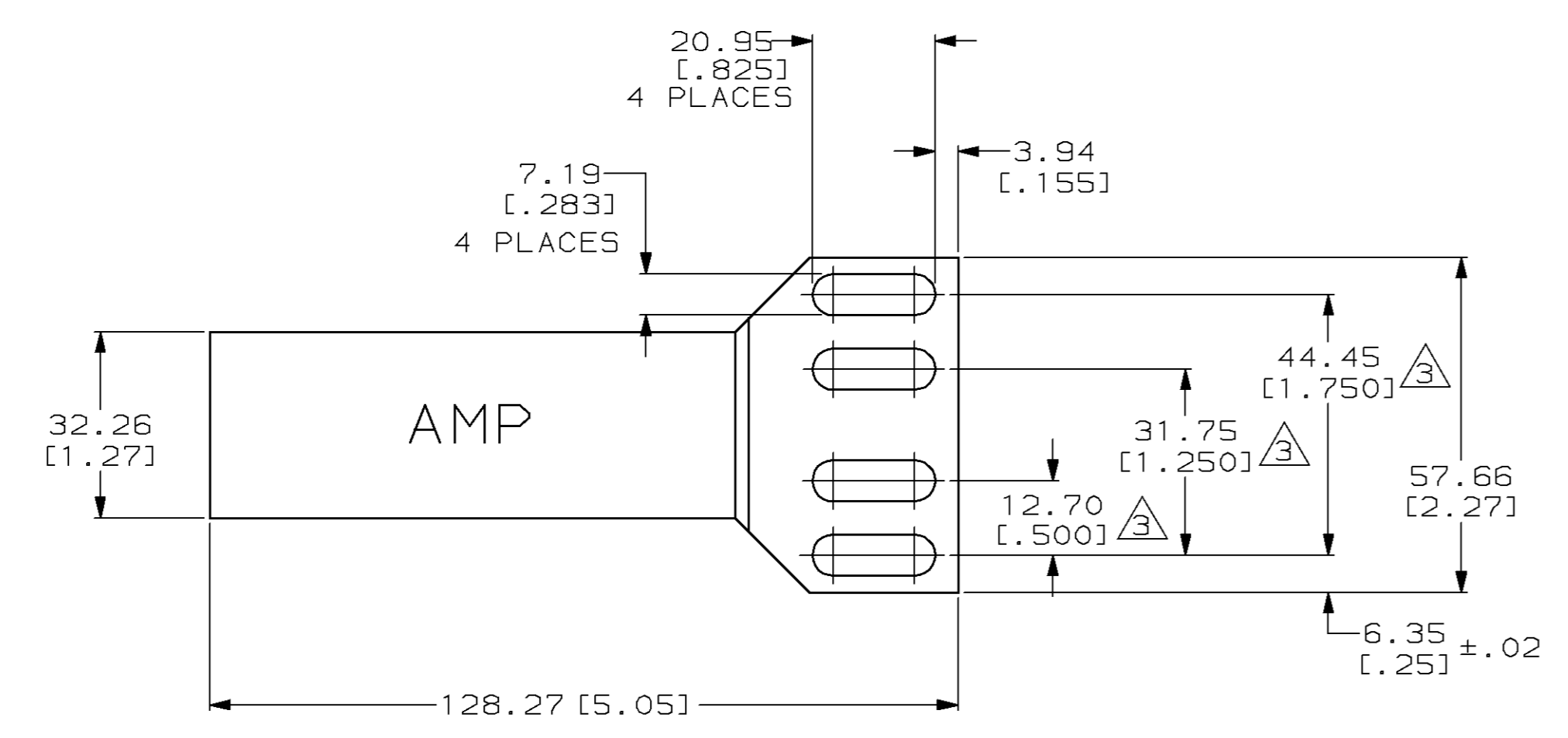
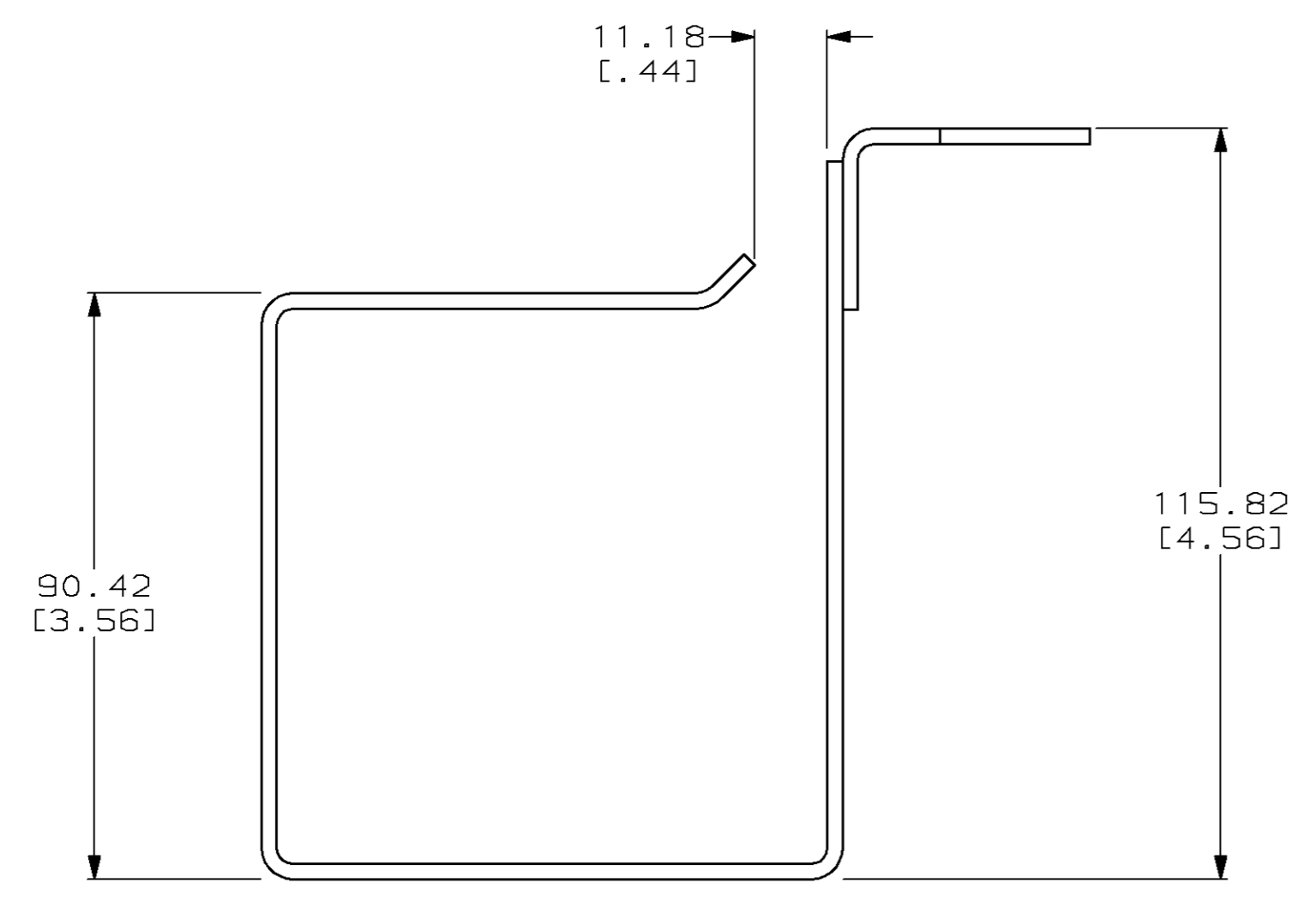


LOC		DIST		P		F		ZONE		LTR		REVISIONS		DATE	APPD
AA	28												REV; EC 0502-0244-97	15MAY97	DS JB

- ① DIMENSIONS MAXIMUM UNLESS OTHERWISE SPECIFIED.
- ② MATERIAL:
BRACKET-BLACK PAINTED CARBON STEEL.
SCREWS-BLACK CARBON STEEL.
- ③ THE TOLERANCE FOR THESE DIMENSIONS ARE ±0.13 [.005].



CROSS RECESSED PAN HEAD SCREW
 12-24 X 12.7 [.50]
 QUANTITY 2
 OR
 CROSS RECESSED SCREW
 10-32 X 12.7 [.50]
 QUANTITY 2

MAY BE INSTALLED DIRECTLY
 TO RACK OR OVER PANELS

558334-1
 PART NO

DO NOT SCALE PRINT. UNLESS SPECIFIED DIMENSIONS IN mm [INCHES] TOLERANCES ON +	DR 1-17-94 D. STRAUSSER	AMP Incorporated Harrisburg, PA 17105-3608
2 PLC DEC ± 3 PLC DEC ± ANGLES ±	CHK 1-25-94 C. WHITT	
MATERIAL	APPD 1-31-94 J. BONDS	
FINISH	APPD 1-31-94 J. SCHLUNZ	NAME MANAGEMENT RING KIT, VERTICAL
	PRODUCT SPEC	SIZE D
	APPLICATION SPEC	CAGE CODE 00779
	WEIGHT	DRAWING NO C=558334
		SCALE 1:1
		SHEET 1 OF 1

THIS DRAWING IS A CONTROLLED DOCUMENT FOR AMP INCORPORATED. IT IS SUBJECT TO CHANGE AND THE CONTROLLING ENGINEERING ORGANIZATION SHOULD BE CONTACTED FOR THE LATEST REVISION.

CUSTOMER DRAWING