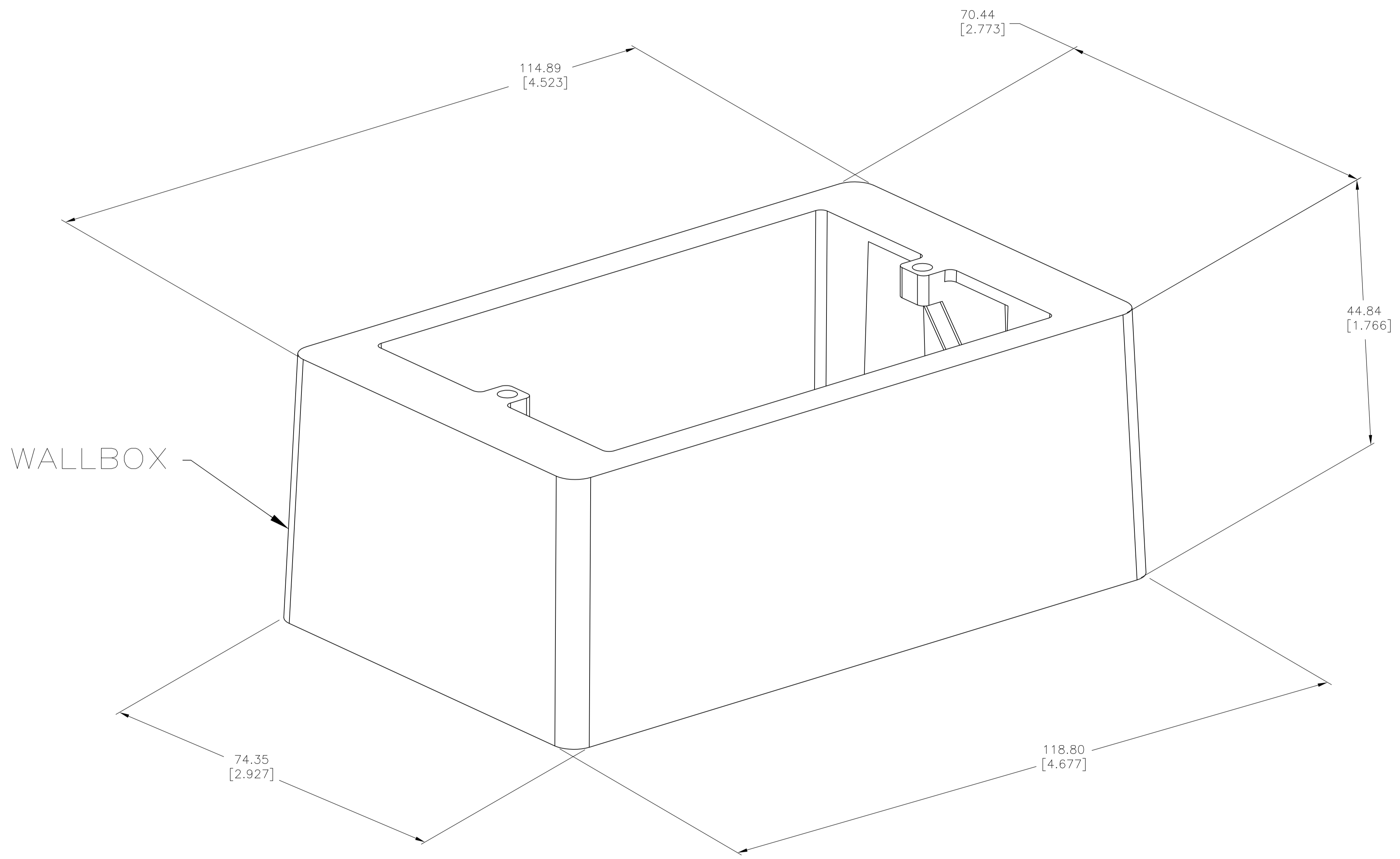


LOC	DIST	REVISIONS				
HM	00	REV	DESCRIPTION	DATE	BY	APPV
		A	ADD: -5; NPR C97-105	23JUN97	GG	GB
		B	REV ECO-07-010901	14MAY07	LH	GB
		C	ADD 1-3, REV ECO-11-011291	01JUN2011	LH	RA



- 1 MATERIAL: POLYCARBONATE MOLDING COMPOUND  
94V-0 RATED, SEE TABLE.  
SCREWS - ZINC PLATED CARBON STEEL.
- 2 ALL DIMENSIONS ARE MAXIMUM.
- 3 TWO 6-20X12.7 [.50] PAN HEAD, TYPE B, SELF TAPPING SCREWS AND TWO PIECES OF FOAM TAPE 25.4 [1.00] X 25.4 [1.00] X 0.76 [.03] THICK AND PROVIDED FOR MOUNTING.
- 4 PACKAGED UNASSEMBLED, ONE KIT PER POLYBAG.

COLOR	PART NO.
ALPINE WHITE	1-558251-3
ELECTRIC IVORY	1-558251-1
<b>SUPERSEDED BY I-558251-I</b>	<b>ELECTRIC IVORY</b>
NEMA GRAY	558251-4
WHITE	558251-3
BLACK	558251-2
LT ALMOND	558251-1

THIS DRAWING IS A CONTROLLED DOCUMENT.

DIMENSIONS: mm [INCHES]	TOLERANCES UNLESS OTHERWISE SPECIFIED:	DIN TL PITTS 11-19-93	CHK C. WHITT 11-24-93	APVD J. SCHLUNZ 11-24-93	NAME
0 PLC ± .00	1 PLC ± .00	2 PLC ± .00	3 PLC ± .00	4 PLC ± .00	PRODUCT SPEC
ANGLES ± .00					APPLICATION SPEC
MATERIAL	FINISH	WEIGHT	SIZE	CAGE CODE	DRAWING NO
			A1	00779	558251
CUSTOMER DRAWING			SCALE	SHEET	REV
			2:1	1 of 1	C

STE TE Connectivity

WALLBOX KIT, LAN OUTLET