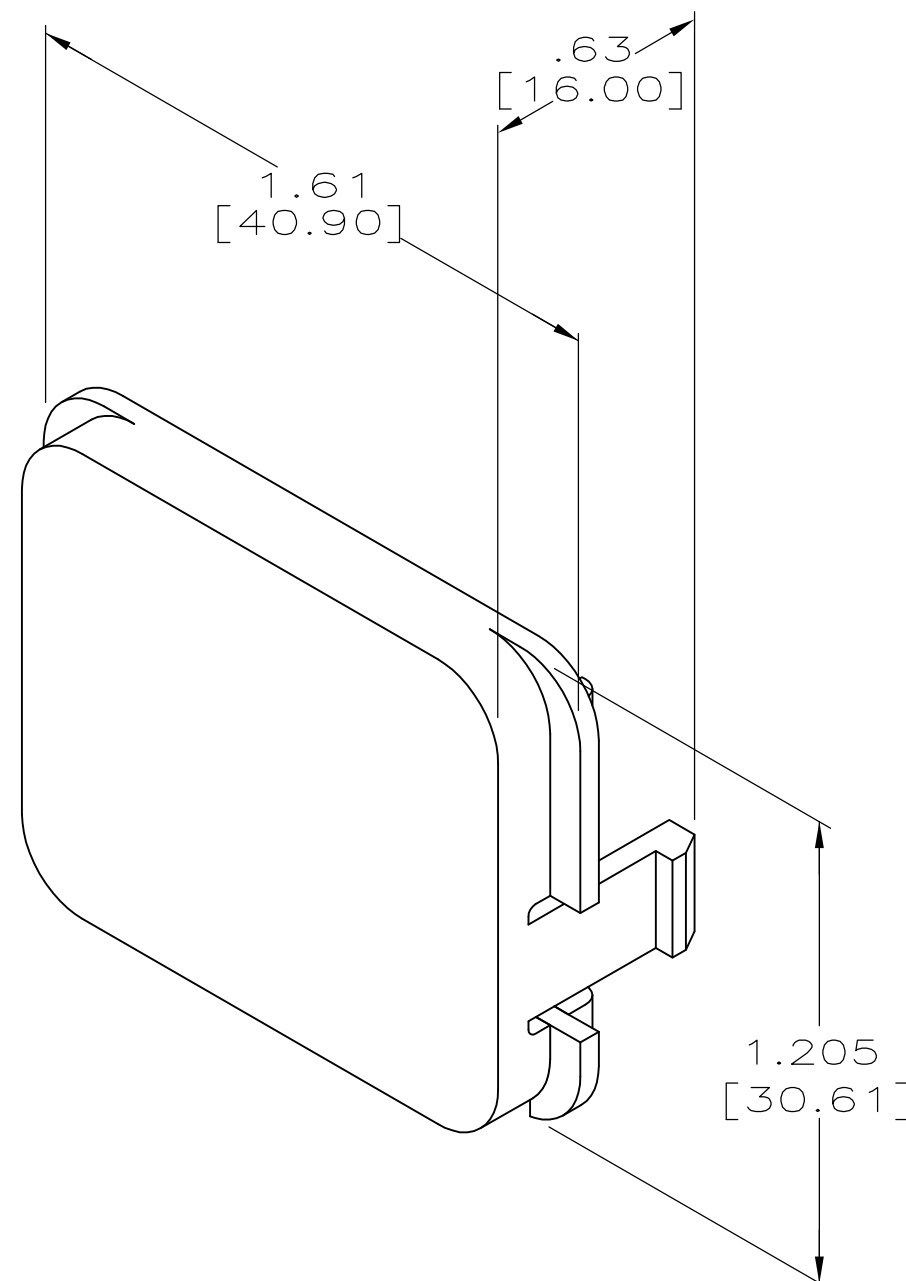


THIS DRAWING IS UNPUBLISHED. RELEASED FOR PUBLICATION  
 © COPYRIGHT BY TYCO ELECTRONICS CORPORATION. ALL INTERNATIONAL RIGHTS RESERVED.

LOC	DIST	REVISIONS					
		P	LTR	DESCRIPTION	DATE	DWN	APVD
HM	00		G	OBS -4; REV ECO-09-025607	24NOV09	LH	BM



- ① DIMENSIONS ARE MAXIMUM.
- ② MATERIAL: ADAPTER- ABS MOLDING COMPOUND, SEE TABLE.
- 3. THIS INSERT IS DESIGNED TO MATE WITH AMP EDGE CONNECTOR KIT AND WALLBOX KITS.
- 4. DIMENSIONS IN BRACKETS [ ] ARE IN MILLIMETERS.
- 5. PACKAGED 100 INSERTS PER POLYBAG.

ELEC IVORY	1-555644-1
WHITE	555644-9
NEMA GRAY	555644-5
BLACK	555644-3
LIGHT ALMOND	555644-1
COLOR	

THIS DRAWING IS A CONTROLLED DOCUMENT.		DWN R. NELSON 3-25-88	Tyco Electronics Corporation Harrisburg, PA 17105-3608																
DIMENSIONS: INCHES		CHK A. CLARK 4-12-88	NAME INSERT BLANK, AMP COMMUNICATION OUTLET																
TOLERANCES UNLESS OTHERWISE SPECIFIED:		APVD J. SCHLUNZ 4-21-88	RESTRICTED TO																
<table border="0"> <tr> <td>0 PLC</td> <td>± -</td> <td rowspan="5">①</td> </tr> <tr> <td>1 PLC</td> <td>± -</td> </tr> <tr> <td>2 PLC</td> <td>± -</td> </tr> <tr> <td>3 PLC</td> <td>± -</td> </tr> <tr> <td>4 PLC</td> <td>± -</td> </tr> <tr> <td>ANGLES</td> <td>± -</td> <td></td> </tr> </table>		0 PLC	± -	①	1 PLC	± -	2 PLC	± -	3 PLC	± -	4 PLC	± -	ANGLES	± -		PRODUCT SPEC -	SIZE A3	CAGE CODE 00779	DRAWING NO C-555644
0 PLC	± -	①																	
1 PLC	± -																		
2 PLC	± -																		
3 PLC	± -																		
4 PLC	± -																		
ANGLES	± -																		
MATERIAL ② -	FINISH -	APPLICATION SPEC -	WEIGHT -	SCALE 2:1	SHEET 1 OF 1	REV G													
CUSTOMER DRAWING																			