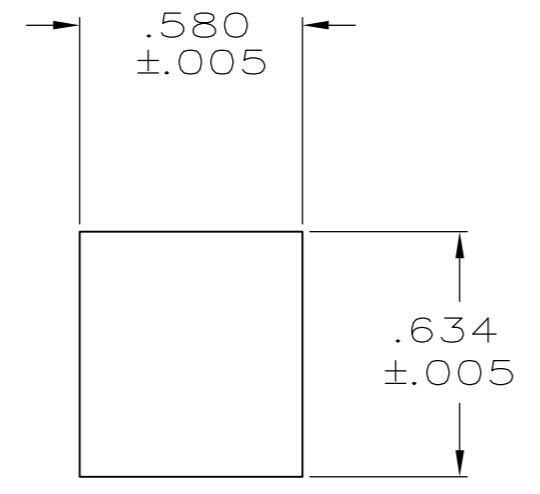
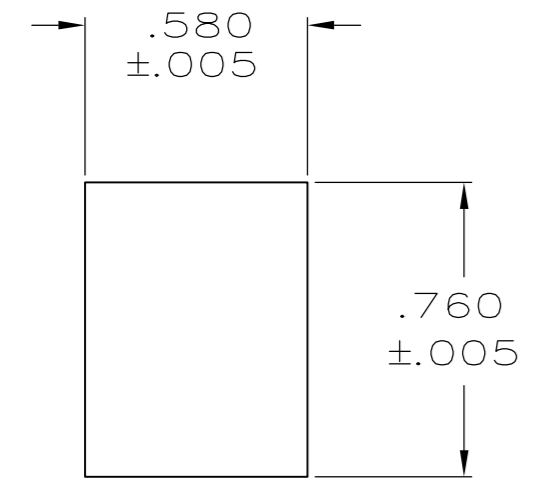
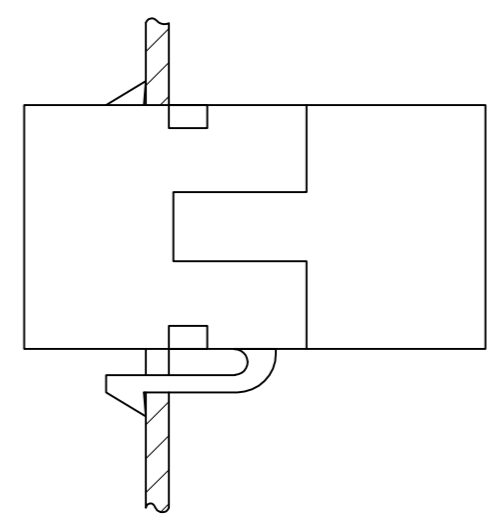
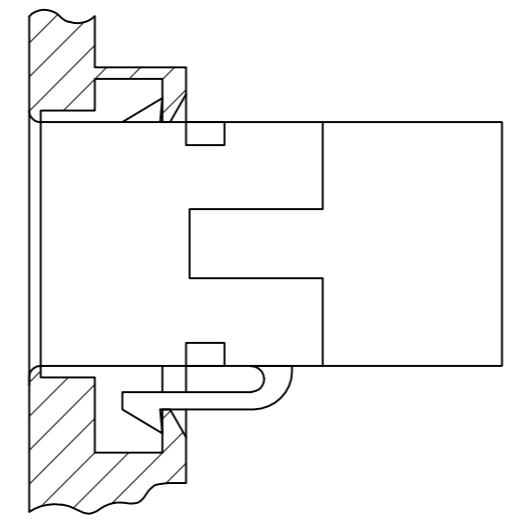
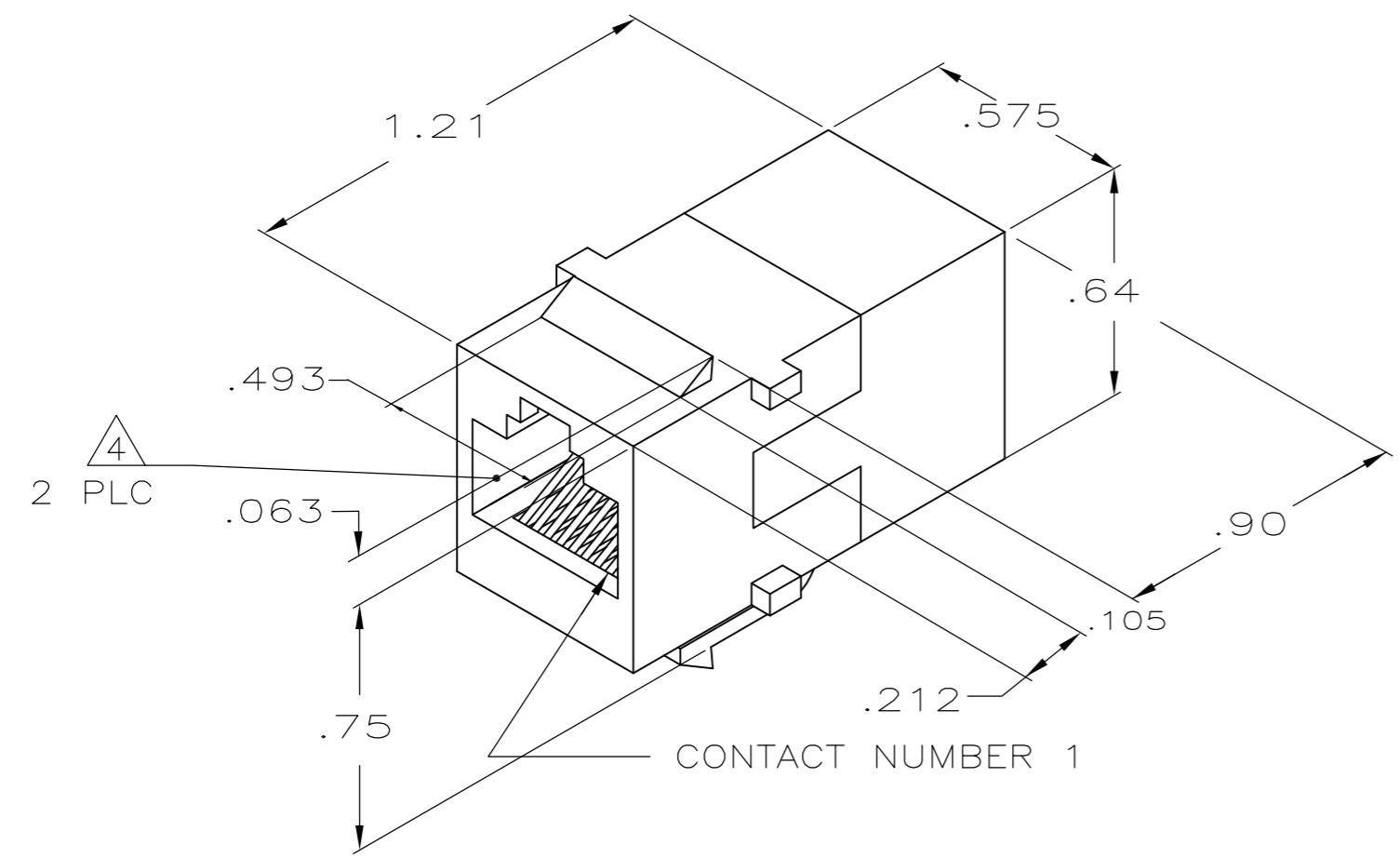


THIS DRAWING IS UNPUBLISHED. RELEASED FOR PUBLICATION
 © COPYRIGHT - By - ALL RIGHTS RESERVED.

LOC		DIST		REVISIONS			
P	LTR	DESCRIPTION		DATE	DWN	APVD	
	G1	REVISED PER ECO-11-005033		21MAR11	RK	HMR	

- ALL DIMENSIONS SHOWN ARE MAXIMUM UNLESS OTHERWISE SPECIFIED.
- MATERIAL:
 HOUSING - POLYPHENYLENE OXIDE, BLACK.
 TERMINAL - .018 DIA PHOSPHOR BRONZE PLATED WITH .000050 MINIMUM THICK GOLD OVER .000050 MINIMUM THICK NICKEL.
- MOUNTING PANEL THICKNESS .062 NOMINAL.
- CAVITIES SHALL CONFORM TO FCC RULES AND REGULATIONS, PART 68, SUBPART F.
- BULK P/N = 2-555052-1. BULK PACK IN QUANTITIES OF 100 PCS.



RECOMMENDED PANEL CUTOUT FOR SINGLE WALL PLATE AND BACK PANEL FOR DOUBLE WALL PLATE

RECOMMENDED FRONT PANEL CUTOUT FOR DOUBLE WALL PLATE

2-555052-1
 555052-1
 PART NO

THIS DRAWING IS A CONTROLLED DOCUMENT.		DWN	22JUN05			TE Connectivity			
DIMENSIONS: INCHES		CHK	22JUN05			NAME		COUPLER ASSEMBLY, 8 POSITION, IN-LINE	
TOLERANCES UNLESS OTHERWISE SPECIFIED:		APVD	22JUN05			PRODUCT SPEC		SIZE	
0 PLC ± - 1 PLC ± - 2 PLC ± - 3 PLC ± - 4 PLC ± - ANGLES ± - FINISH -		APPLICATION SPEC				CAGE CODE		DRAWING NO	
MATERIAL -		WEIGHT -		A2 00779		RESTRICTED TO			
CUSTOMER DRAWING		SCALE 2:1		SHEET 1 of 1		REV G1			