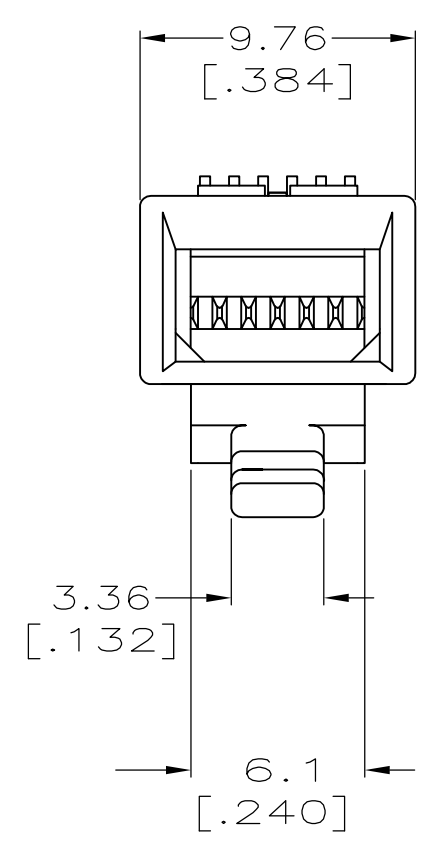
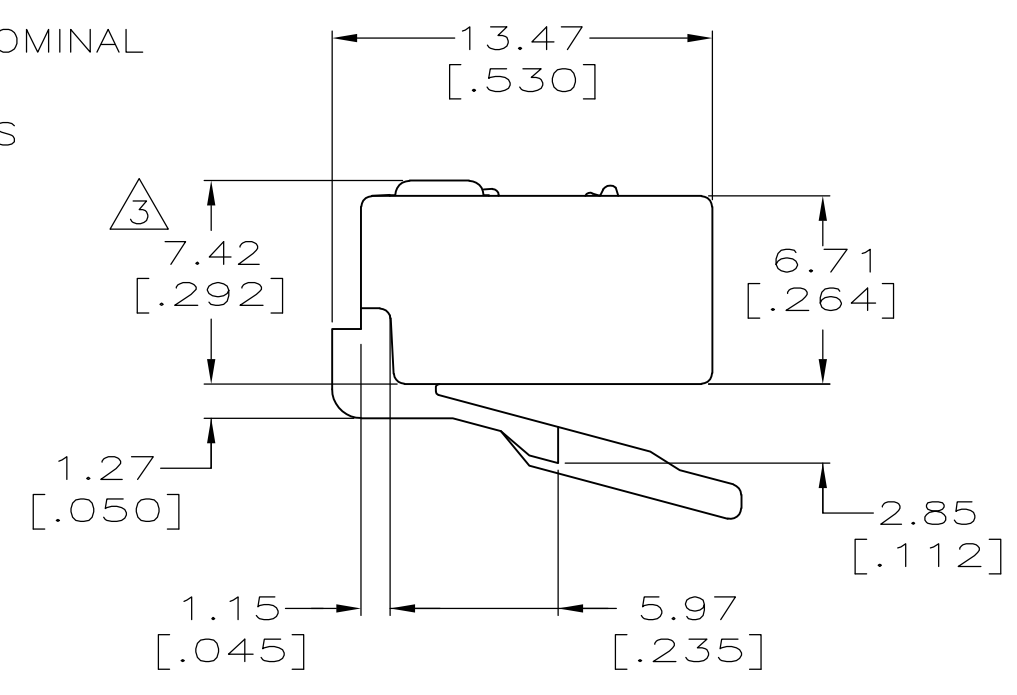
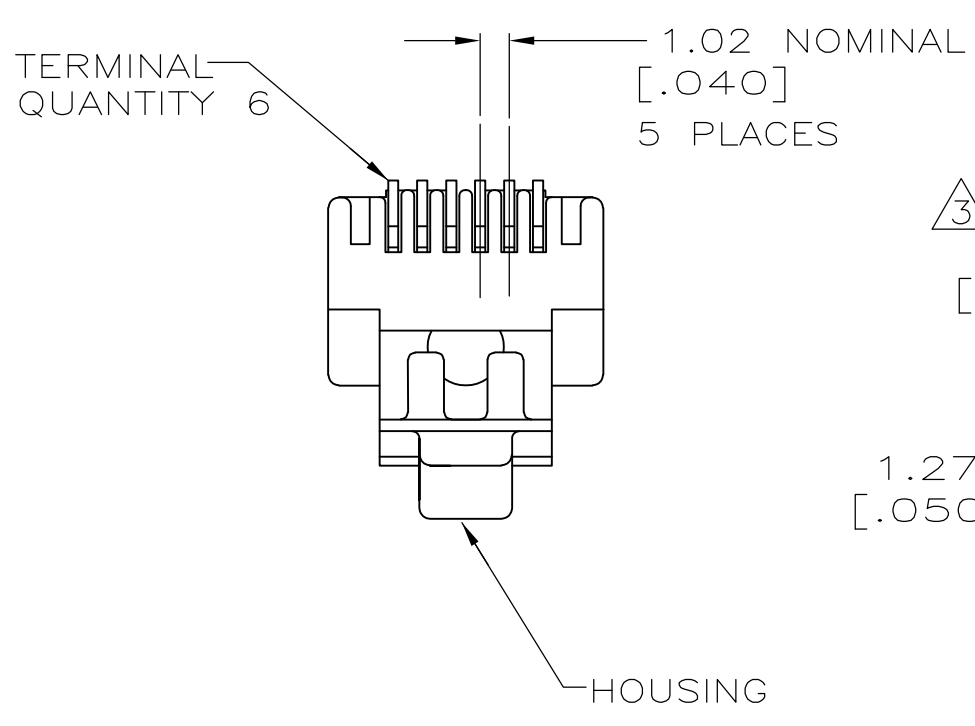
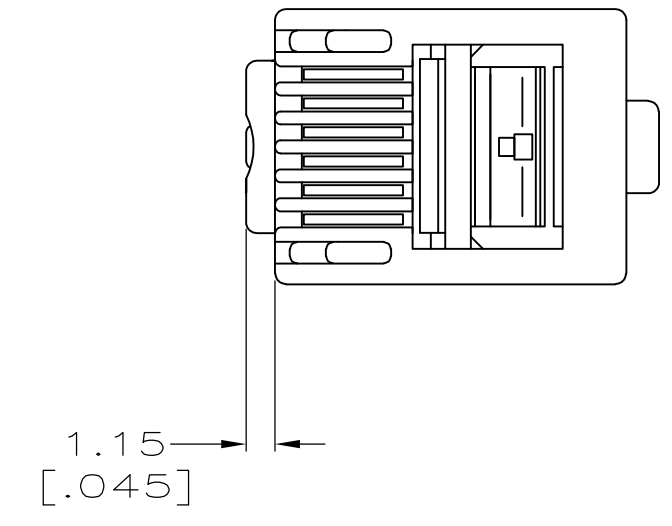


THIS DRAWING IS UNPUBLISHED. RELEASED FOR PUBLICATION
 © COPYRIGHT - By - ALL RIGHTS RESERVED.

LOC	DIST	REVISIONS			
P	LTR	DESCRIPTION	DATE	OWN	APVD
HM	00	N	REV PER ECO-12-012918	05JUL2012	JM JG

- 1 MATERIAL: HOUSING—POLYCARBONATE,CLEAR. TERMINAL—0.36[.014] THICK PHOSPHOR BRONZE PLATED WITH 1.27μm[.000050] THICK GOLD IN LOCALIZED GOLD PLATE AREA,OVER 2.54μm[.000100] THICK NICKEL UNDERPLATE.
- 2. PLUG WILL ACCEPT 0.89[.035] DIAMETER STRANDED, 26 OR 28 AWG, OR TINSEL 28 AWG WIRE WITH A 4.58[.180] DIAMETER MAXIMUM JACKET.
- 3 TERMINATED DIMENSION 6.15[.242] MAXIMUM.
- 5 DIMENSIONS ARE MAXIMUM UNLESS OTHERWISE SPECIFIED.
- 6 10,000 ASSEMBLIES PER PACKAGE.
- 7 1000 ASSEMBLIES PER PACKAGE.
- 8 100 ASSEMBLIES PER PACKAGE.



OBSOLETE

8	LOOSE PIECE	5-554710-3
7		5-554710-2
6		5-554710-1
REELED		554710-1
PACKAGED	DESCRIPTION	PART NO.

THIS DRAWING IS A CONTROLLED DOCUMENT.		DWN L. HALL 11DEC2007	STE TE Connectivity	
DIMENSIONS: mm[INCHES]		CHK B. MCNEILL 11DEC2007		
TOLERANCES UNLESS OTHERWISE SPECIFIED:		APVD B. MCNEILL 11DEC2007	NAME	
0 PLC ± -		PRODUCT SPEC		
1 PLC ± - 5		108-1163		
2 PLC ± -		APPLICATION SPEC		
3 PLC ± -		114-6016		
4 PLC ± -		SIZE CAGE CODE DRAWING NO RESTRICTED TO		
ANGLES ± ± -		A2 00779 G-554710		
MATERIAL FINISH		WEIGHT		
- 1		-		
CUSTOMER DRAWING		SCALE 4:1 SHEET 1 of 1 REV N		