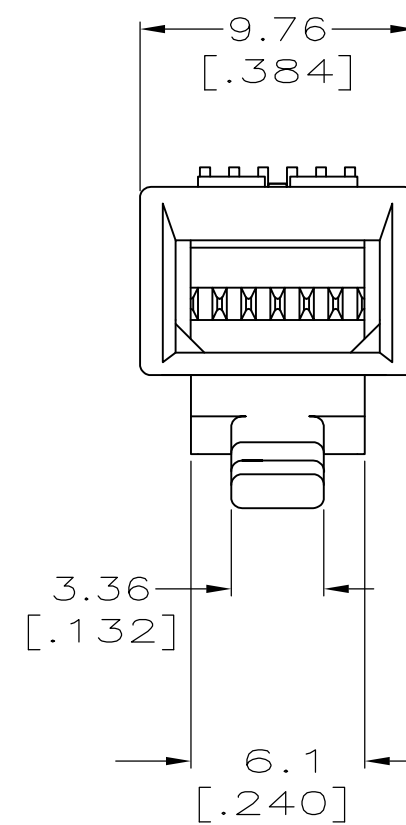
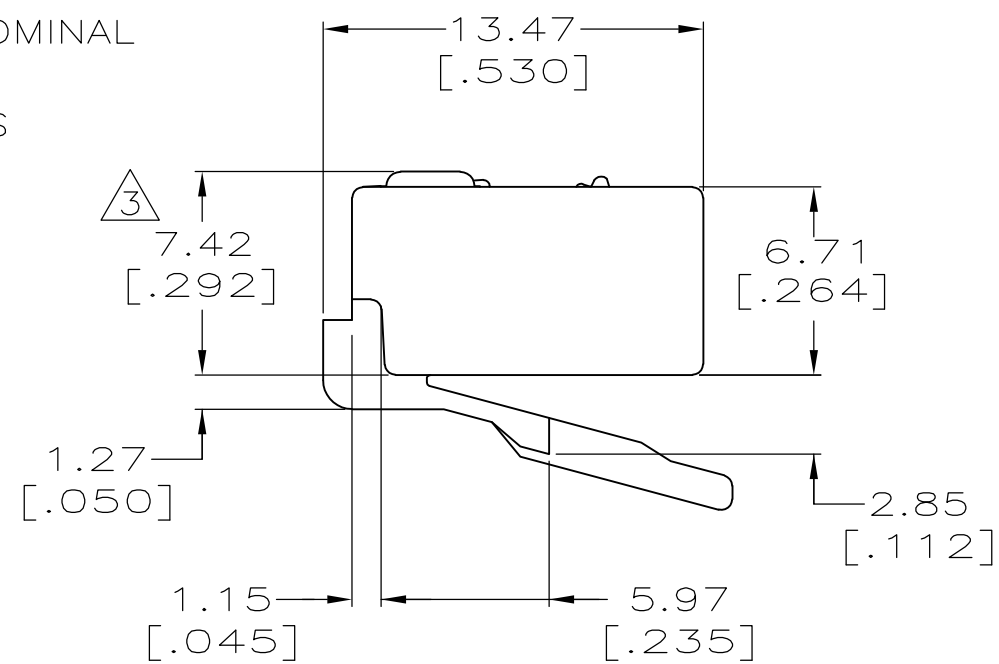
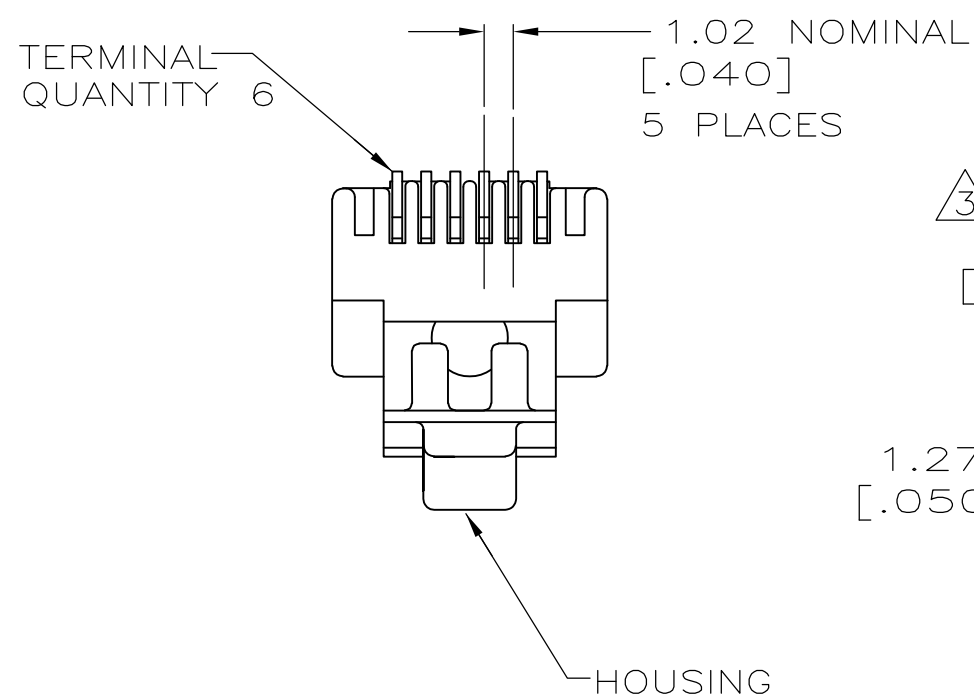
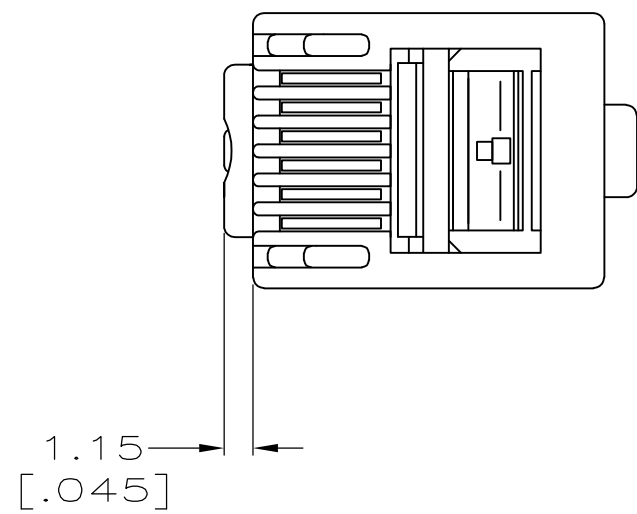


THIS DRAWING IS UNPUBLISHED. RELEASED FOR PUBLICATION  
 © COPYRIGHT - By - ALL RIGHTS RESERVED.

LOC	DIST	REVISIONS			
P	LTR	DESCRIPTION	DATE	OWN	APVD
HM	00	N	REV PER ECO-12-012918	05JUL2012	JM JG

- ① MATERIAL: HOUSING—POLYCARBONATE,CLEAR. TERMINAL—0.36[.014] THICK PHOSPHOR BRONZE PLATED WITH 1.27μm[.000050] THICK GOLD IN LOCALIZED GOLD PLATE AREA,OVER 2.54μm[.000100] THICK NICKEL UNDERPLATE.
- 2. PLUG WILL ACCEPT 0.89[.035] DIAMETER STRANDED, 26 OR 28 AWG, OR TINSEL 28 AWG WIRE WITH A 4.58[.180] DIAMETER MAXIMUM JACKET.
- ③ TERMINATED DIMENSION 6.15[.242] MAXIMUM.
- ⑤ DIMENSIONS ARE MAXIMUM UNLESS OTHERWISE SPECIFIED.
- ⑥ 10,000 ASSEMBLIES PER PACKAGE.
- ⑦ 1000 ASSEMBLIES PER PACKAGE.
- ⑧ 100 ASSEMBLIES PER PACKAGE.



**OBSOLETE**

⑧	LOOSE PIECE	5-554710-3
⑦		5-554710-2
⑥		5-554710-1
	REELED	554710-1
	PACKAGED	DESCRIPTION
		PART NO.

THIS DRAWING IS A CONTROLLED DOCUMENT.		DWN L. HALL 11DEC2007	<b>STE</b> TE Connectivity	
DIMENSIONS: mm[INCHES]		CHK B. MCNEILL 11DEC2007		
TOLERANCES UNLESS OTHERWISE SPECIFIED:		APVD B. MCNEILL 11DEC2007	NAME	
0 PLC ± -		PRODUCT SPEC		
1 PLC ± - ⑤		108-1163		
2 PLC ± -		APPLICATION SPEC		
3 PLC ± -		114-6016		
4 PLC ± -		SIZE CAGE CODE DRAWING NO		
ANGLES ± ± -		A2 00779 G-554710		
FINISH		RESTRICTED TO		
- ①		-		
		CUSTOMER DRAWING		
		SCALE 4:1 SHEET 1 of 1 REV N		