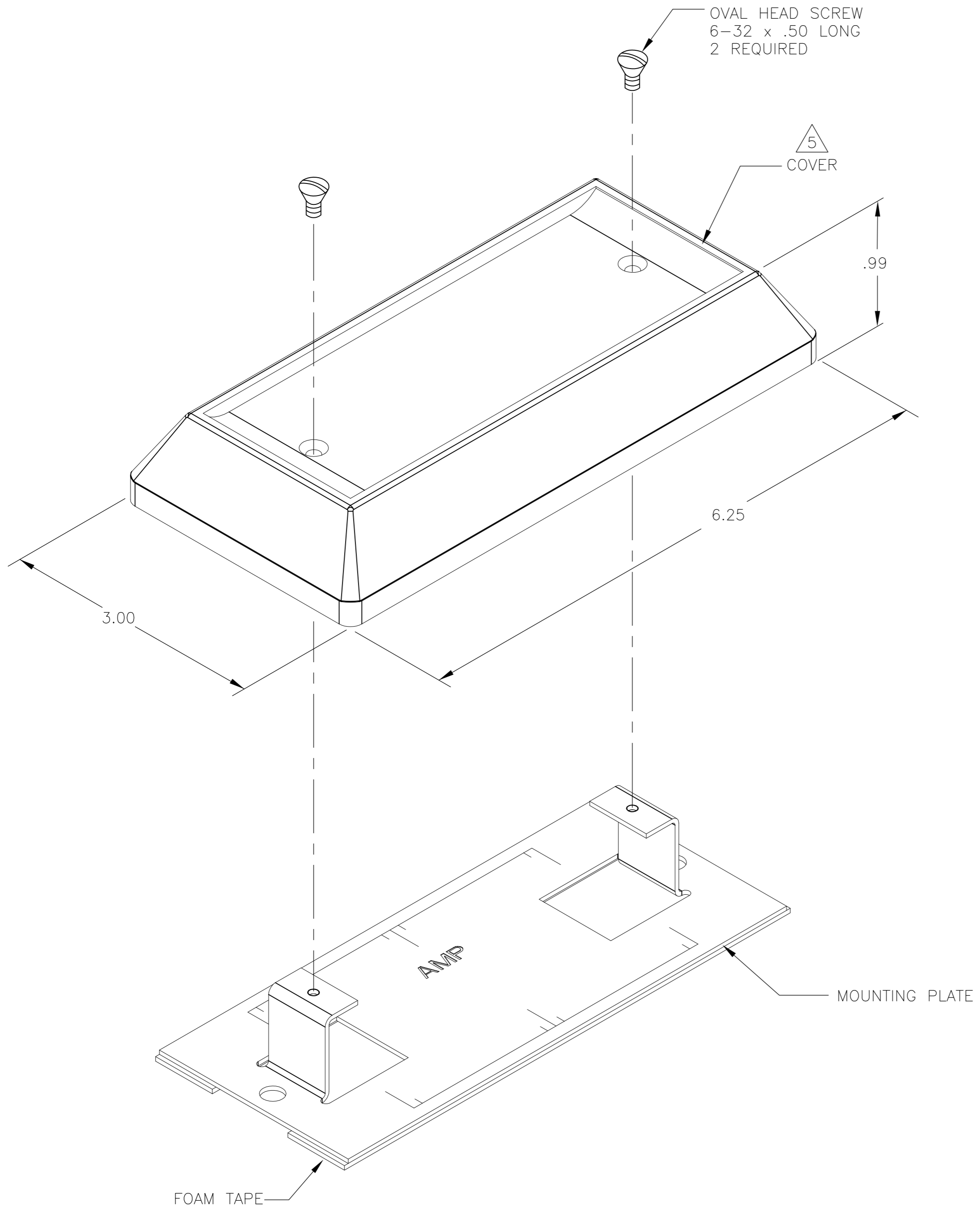


THIS DRAWING IS UNPUBLISHED. RELEASED FOR PUBLICATION
 © COPYRIGHT BY TYCO ELECTRONICS CORPORATION. ALL RIGHTS RESERVED.

LOC	DIST	REVISIONS					
		P	LTR	DESCRIPTION	DATE	DWN	APVD
HM	00	C		REV; ECO-10-004422	03MAR10	JB	SJ



1. ALL DIMENSIONS SHOWN ARE FOR REFERENCE ONLY UNLESS OTHERWISE SPECIFIED.
2. MATERIAL : COVER - THERMOPLASTIC.
MOUNTING PLATE - GALVANIZED CARBON STEEL.
HARDWARE- ZINC PLATED STEEL.
3. THIS KIT SHIPPED NOT ASSEMBLED.
4. APPLICATION: USE WITH UNDERCARPET COMMUNICATIONS CABLING SYSTEM. FLOOR FITTING ACCEPTS UP TO FOUR OF THE FOLLOWING (NOT INCLUDED):
-SL SERIES MODULAR JACK BRACKET 1499543-1, FOR USE WITH SL SERIES MODULAR JACKS OR SL SERIES MULTIMEDIA INSERTS.
-SL SERIES MODULAR JACK KIT 558054-1
-SL SERIES MODULAR JACK KIT 1933377-1
5. COVER HAS BREAKOUT TABS TO ACCOMODATE MODULAR JACKS OR MULTIMEDIA INSERTS.

ZINC	GRAY	554206-3
BLACK	BLACK	554206-1
SCREW COLOR	COVER COLOR	PART NUMBER

THIS DRAWING IS A CONTROLLED DOCUMENT.		DWN	TH WOOTEN	9 JUN 83	Tyco Electronics Corporation Harrisburg, Pa 17105-3608	
DIMENSIONS: INCHES		CHK	MD FRIEL	23 JUN 83		
TOLERANCES UNLESS OTHERWISE SPECIFIED:		APVD	G THRU	30 JUN 83		
0 PLC ± - 1 PLC ± - 2 PLC ± - 3 PLC ± - 4 PLC ± - ANGLES ± -		NAME		FLOOR FITTING KIT, COMMUNICATIONS, 2-PORT		
MATERIAL	FINISH	WEIGHT	SIZE	CAGE CODE	DRAWING NO	RESTRICTED TO
2	2	-	A2	00779	C=554206	-
CUSTOMER DRAWING			SCALE	5:4	SHEET	1 OF 1
			REV	C		

554206