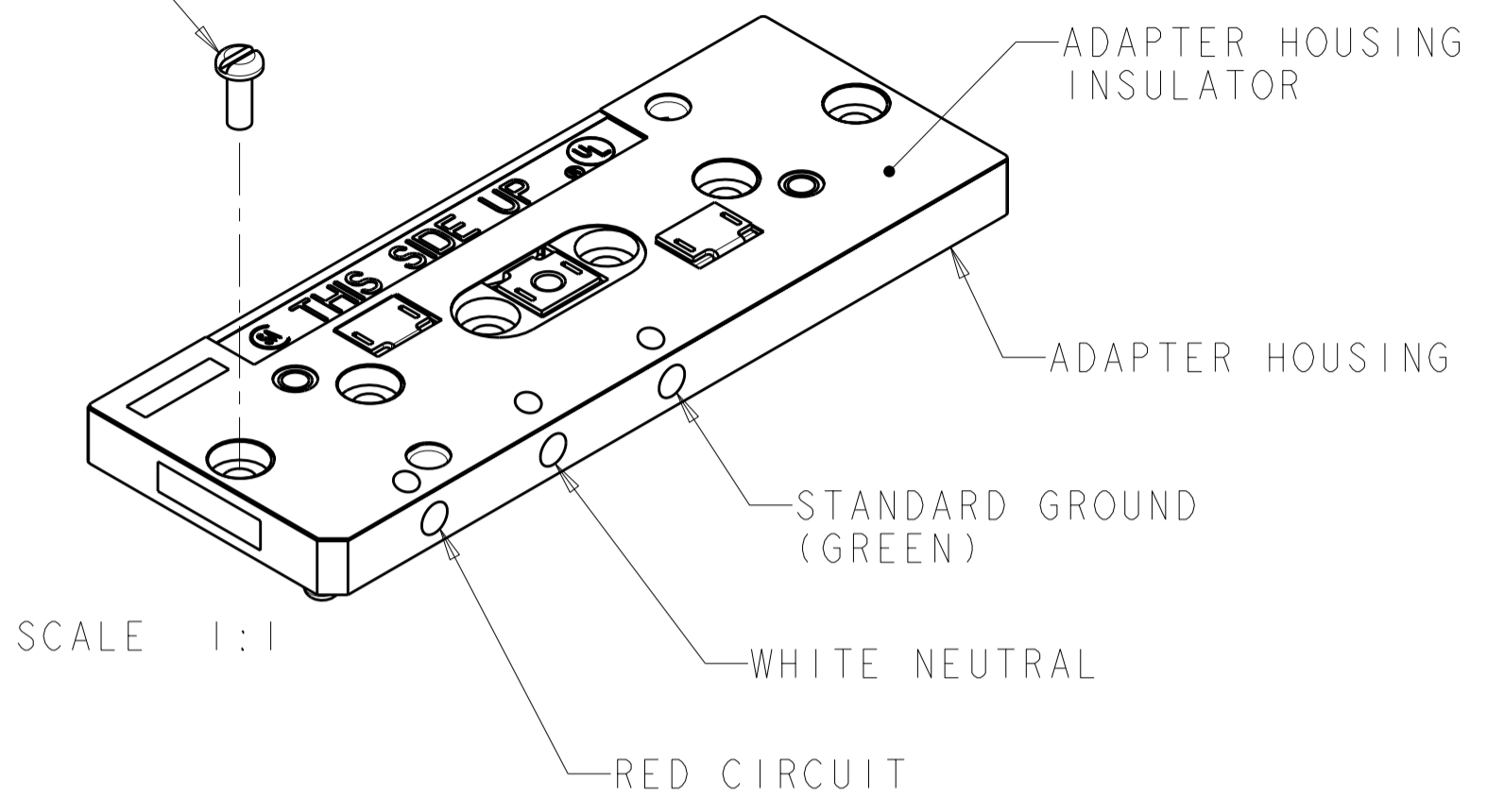


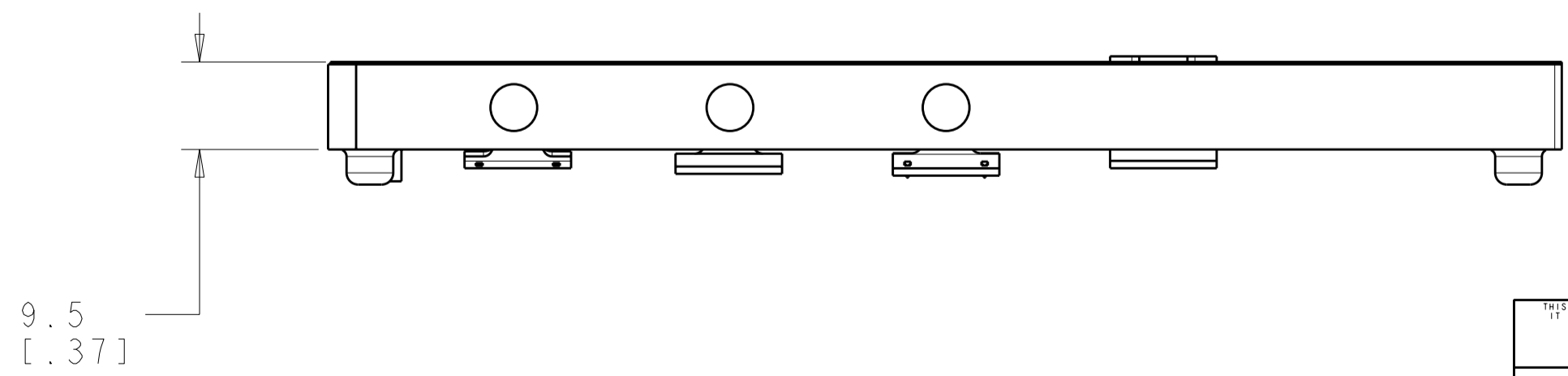
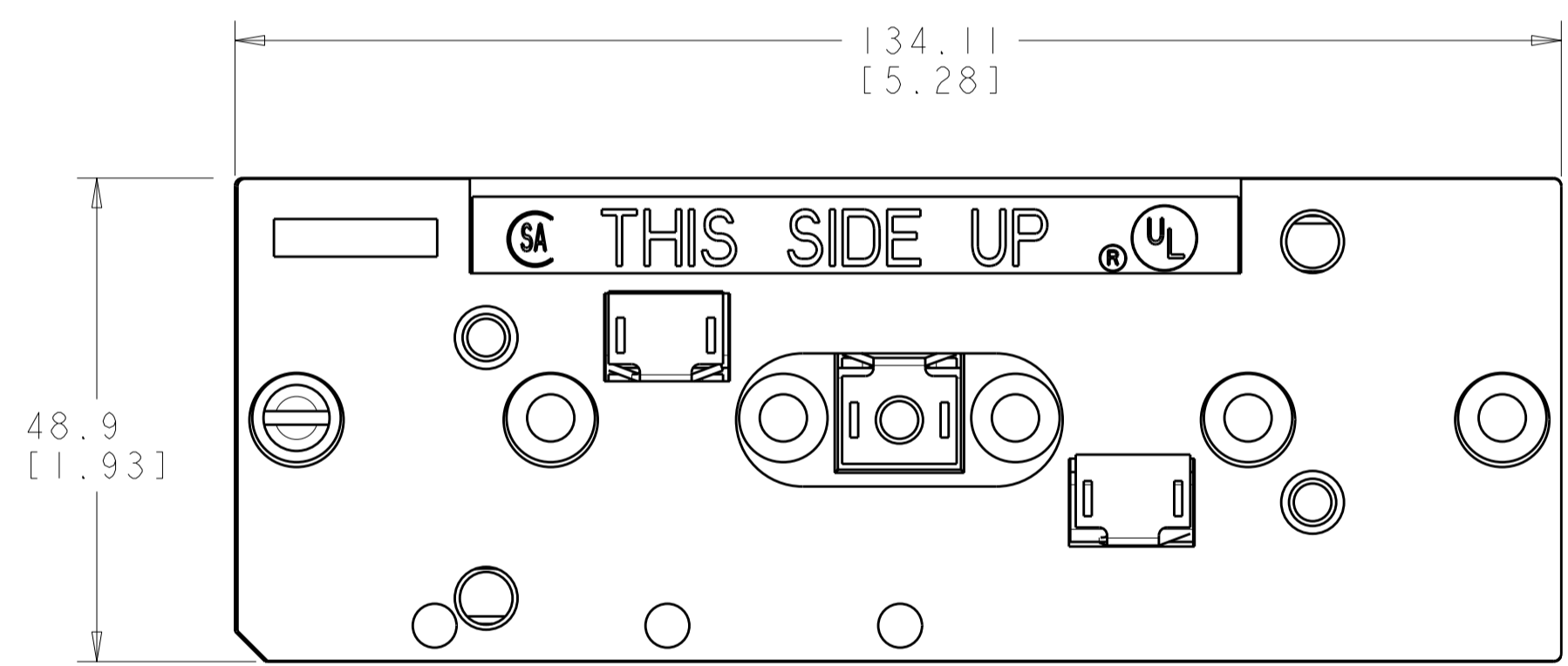
THIS DRAWING IS UNPUBLISHED. RELEASED FOR PUBLICATION 20
 © COPYRIGHT 20 BY TYCO ELECTRONICS CORPORATION. ALL RIGHTS RESERVED.

LOC		DIST		REVISIONS			
P	LTR	DESCRIPTION	DATE	DWN	APVD		
	E	REDRAWN; ECO-08-025554	30OCT2008	GG	SJ		

SLOTTED PAN HEAD SCREW
6 REQUIRED



- 1. MATERIAL:
HOUSING - THERMOPLASTIC, BLACK.
INSULATOR - VULCANIZED FIBRE.
SCREW - ZINC PLATED CARBON STEEL.
- 2. ALL DIMENSIONS SHOWN ARE FOR REFERENCE ONLY UNLESS OTHERWISE SPECIFIED.
- 3. ALL DIMENSIONS SHOWN ARE NOMINAL.
- 4. APPLICATION:
TYCO ELECTRONICS UNDERCARPET POWER SYSTEM. USE WITH 5-CONDUCTOR DIRECT CONNECTING RECEPTACLE (DCR). SEE INSTRUCTION SHEET 408-3131.



554189-1
PART NUMBER

THIS DRAWING IS A CONTROLLED DOCUMENT FOR TYCO ELECTRONICS CORPORATION IT IS SUBJECT TO CHANGE AND THE CONTROLLING ENGINEERING ORGANIZATION SHOULD BE CONTACTED FOR THE LATEST REVISION.		DWN G. GARRETT 30OCT2008	Tyco Electronics Harrisburg, PA 17105-3608	
DIMENSIONS: MM [INCHES]		CHK S. JONES 30OCT2008	NAME ADAPTER HOUSING ASSEMBLY, 5 CONDUCTOR, RED CIRCUIT, DIRECT CONNECTING RECEPTACLE	
TOLERANCES UNLESS OTHERWISE SPECIFIED: 0 PLC ± 1 PLC ± 2 PLC ± 3 PLC ± 4 PLC ± ANGLES ± FINISH		APVD S. JONES 30OCT2008	RESTRICTED TO	
MATERIAL		PRODUCT SPEC -	SIZE A2	CAGE CODE 00779
1		APPLICATION SPEC -	DRAWING NO 554189	REV E
3		WEIGHT -	SCALE 3:2 SHEET 1 OF 1	
		CUSTOMER DRAWING		