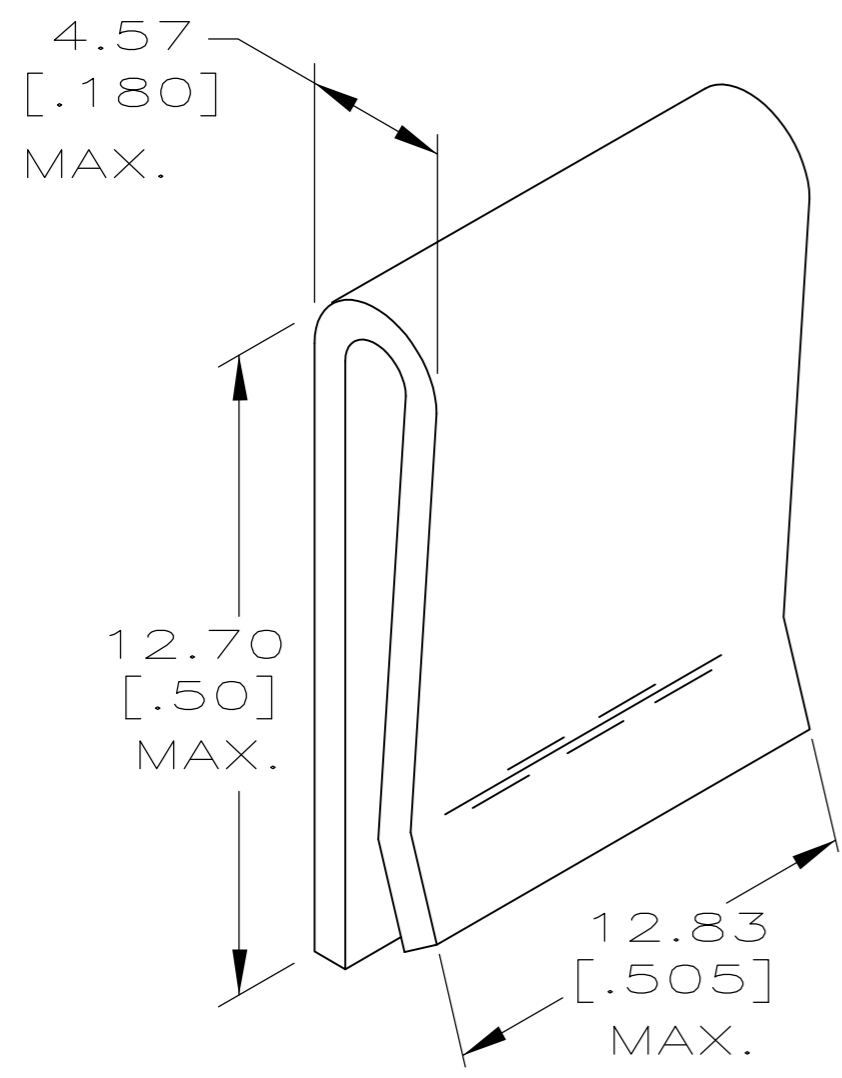


THIS DRAWING IS UNPUBLISHED. RELEASED FOR PUBLICATION
 © COPYRIGHT BY TYCO ELECTRONICS CORPORATION. ALL INTERNATIONAL RIGHTS RESERVED.

LOC	DIST	REVISIONS					
		P	LTR	DESCRIPTION	DATE	DWN	APVD
HM	00		C	REV ECO-08-022455	16SEP08	LH	SJ



1. ALL DIMENSIONS SHOWN ARE FOR REFERENCE ONLY UNLESS OTHERWISE SPECIFIED.
2. MATERIAL: STAINLESS STEEL, .508 [.020] THICK.
3. APPLICATION: UNDERCARPET POWER CABLING: FASTENS TOP SHIELD TO DIRECT-CONNECTING RECEPTACLES AND TRANSITION FITTINGS.

50/PACKAGE	554178-1
DESCRIPTION	PART NO.

THIS DRAWING IS A CONTROLLED DOCUMENT.		DWN	L. HLL	16SEP2008	Tyco Electronics Corporation Harrisburg, PA 17105-3608											
DIMENSIONS: mm [INCHES]		CHK	S. JONES	16SEP2008												
TOLERANCES UNLESS OTHERWISE SPECIFIED:		APVD	S. JONES	16SEP2008												
<table border="1"> <tr><td>0 PLC</td><td>± -</td></tr> <tr><td>1 PLC</td><td>± -</td></tr> <tr><td>2 PLC</td><td>± -</td></tr> <tr><td>3 PLC</td><td>± -</td></tr> <tr><td>4 PLC</td><td>± -</td></tr> <tr><td>ANGLES</td><td>± -</td></tr> </table>		0 PLC	± -	1 PLC		± -	2 PLC	± -	3 PLC	± -	4 PLC	± -	ANGLES	± -	PRODUCT SPEC	
0 PLC	± -															
1 PLC	± -															
2 PLC	± -															
3 PLC	± -															
4 PLC	± -															
ANGLES	± -															
MATERIAL		-		APPLICATION SPEC	CLIP, DIRECT CONNECTING RECEPTACLE -											
FINISH		-		WEIGHT												
-		-		SIZE: A3 CAGE CODE: 00779 DRAWING NO: C-554178 RESTRICTED TO: -												
CUSTOMER DRAWING				SCALE: 10:1	SHEET: 1 OF 1	REV: C										