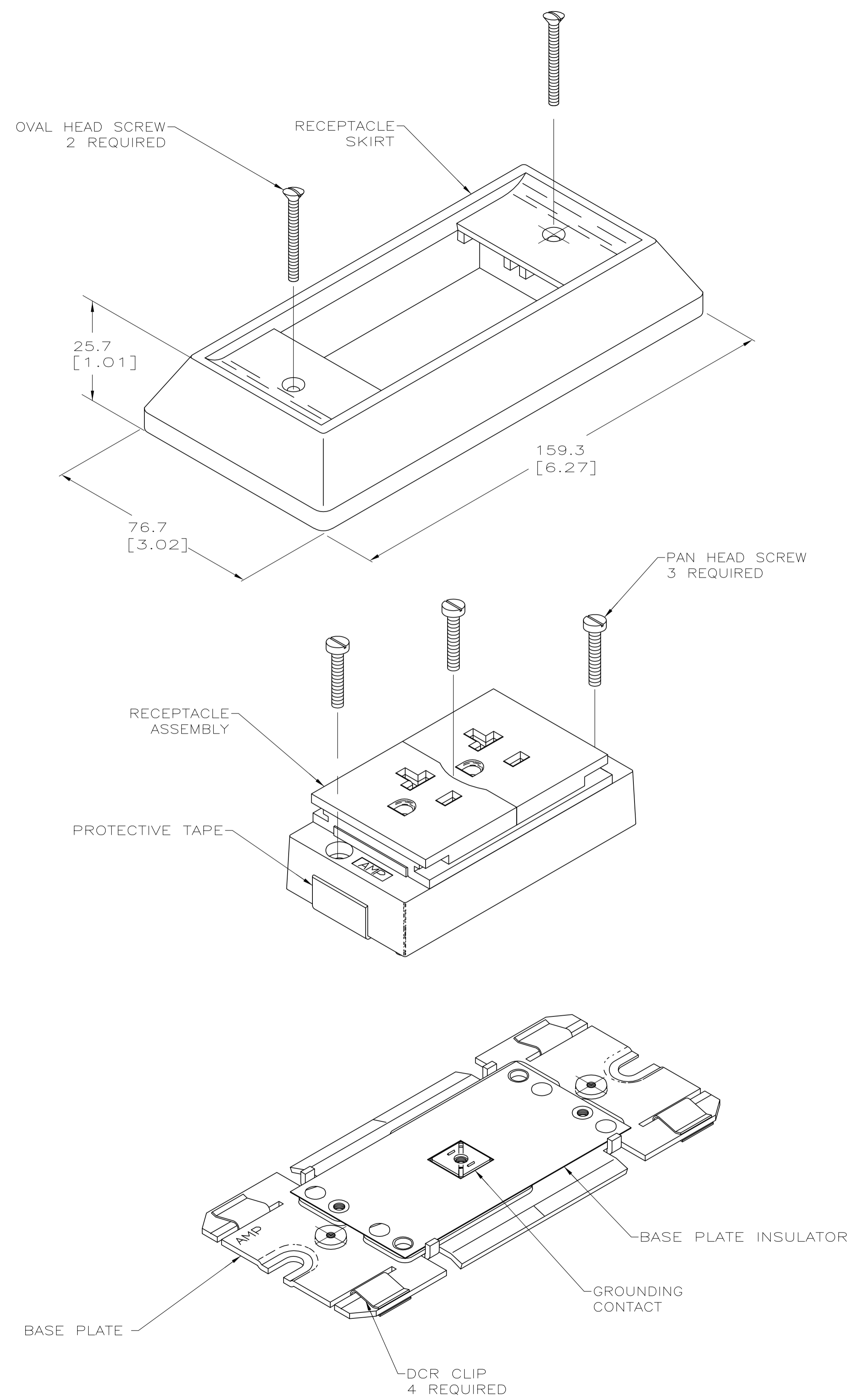


| LOC | | DIST | | REVISIONS | | | |
|-----|-----|-------------------|---------|-----------|------|--|--|
| F | LTR | DESCRIPTION | DATE | DMN | APVD | | |
| F | | REV ECO-07-026113 | 06NOV07 | LDS | SJ | | |



- ⚠ ALL DIMENSIONS SHOWN ARE MAXIMUM UNLESS OTHERWISE SPECIFIED.
- 2. HARDWARE SHIPPED NOT ASSEMBLED.
- ⚠ MATERIAL: SKIRT - ABS MOLDING COMPOUND.
 RECEPTACLE ASSEMBLY - SLIDING COVER, POLYCARBONATE MOLDING COMPOUND;
 BASE, PBT MOLDING COMPOUND.
 BASE PLATE - PREGALVANIZED STEEL.
 BASE PLATE INSULATOR - VULCANIZED FIBRE.
 HARDWARE - ZINC PLATED STEEL.
 DCR CLIP - STAINLESS STEEL.
 TERMINALS AND GROUNDING CONTACT - COPPER ALLOY.

| | |
|------------------|----------|
| GRAY | 553947-3 |
| BLACK | 553947-1 |
| RECEPTACLE COLOR | PART NO. |

| | | | | | |
|--|--|----------------------------|--|--|--|
| THIS DRAWING IS A CONTROLLED DOCUMENT. | | DIN G. GARRETT 18MAR97 | | Tyco Electronics Corporation | |
| DIMENSIONS: mm [INCHES] | | CIR G. GARRETT 18MAR97 | | Harrisburg, PA 17105-3608 | |
| TOLERANCES UNLESS OTHERWISE SPECIFIED: | | APVD J. KILPATRICK 18MAR97 | | NAME DIRECT CONNECTING RECEPTACLE, 3 CONDUCTOR, DUPLEX, 15/20A | |
| 0. PLC ± - ⚠ | | PRODUCT SPEC | | APPLICATION SPEC | |
| 1. PLC ± - ⚠ | | SIZE A1 | | CAGE CODE 00779 | |
| 2. PLC ± - ⚠ | | DRAWING NO. 553947 | | RESTRICTED TO | |
| 3. PLC ± - ⚠ | | WEIGHT | | SCALE 1:1 | |
| 4. PLC ± - ⚠ | | CUSTOMER DRAWING | | SHEET 1 OF 1 | |
| ANGLES ± - ⚠ | | REV F | | | |