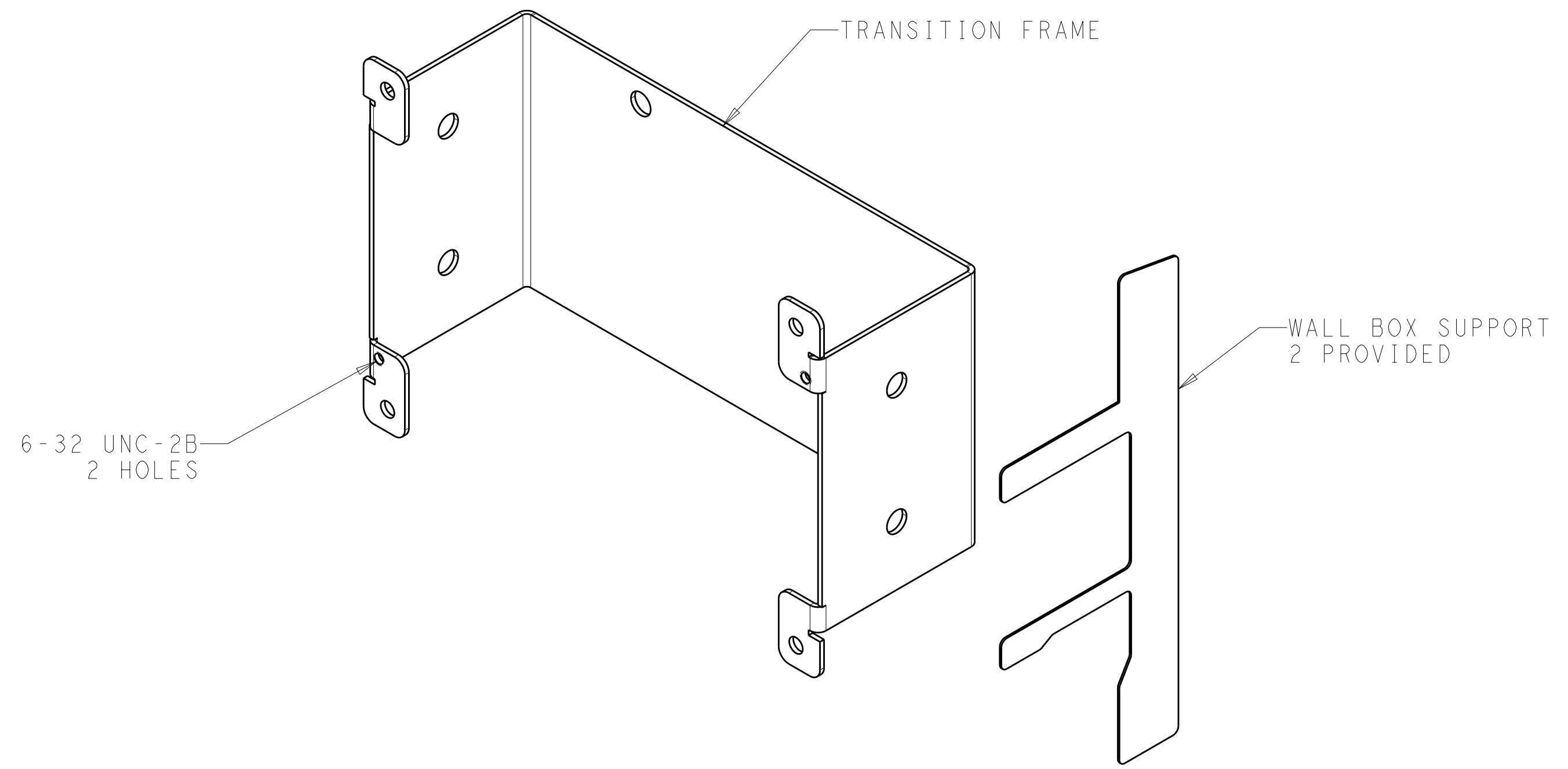
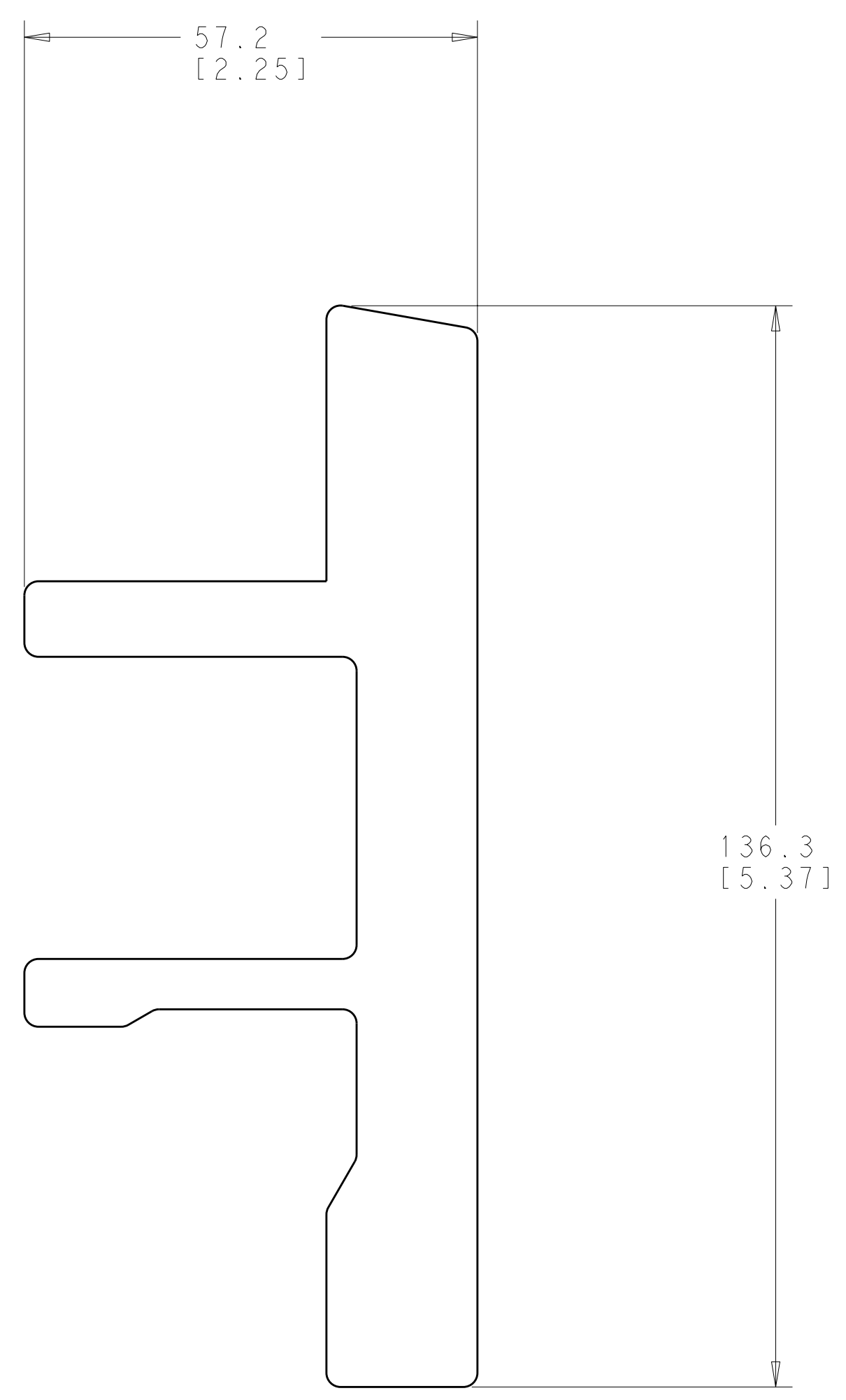
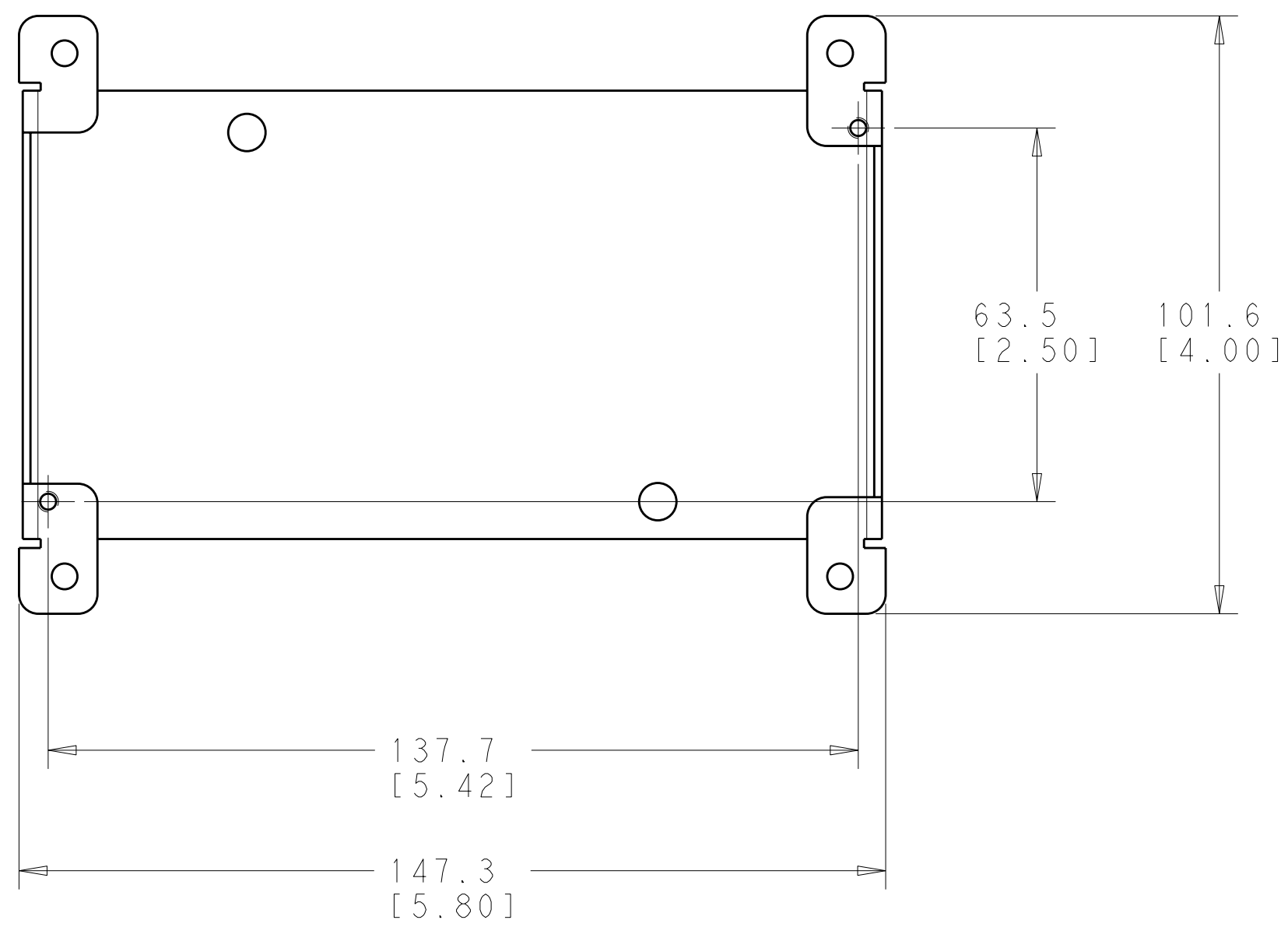


| LOC | DIST | REVISIONS | | | | | |
|-----|------|-----------|-----|---------------------------|-----------|-----|------|
| HM | 00 | P | LTB | DESCRIPTION | DATE | DWN | APVD |
| | | D | | REDWN, REV; ECO-10-001316 | 25JAN2010 | GG | SJ |



1. ALL DIMENSIONS SHOWN ARE FOR REFERENCE ONLY UNLESS OTHERWISE SPECIFIED.
2. MATERIAL: FRAME AND SUPPORT - GALVANIZED CARBON STEEL.
3. THIS KIT SHIPPED UNASSEMBLED.
4. APPLICATION: UNDERCARPET COMMUNICATIONS CABLING SYSTEM. USE WITH FLUSH MOUNT WALL FRAME COVER 553095 (AVAILABLE SEPARATELY). ACCEPTS ONE COMMUNICATIONS TRANSITION BLOCK. REFER TO INSTRUCTION SHEET 408-3107 FOR ADDITIONAL INSTALLATION INFORMATION.



553739-2
PART NUMBER

| | | | | | |
|------------------------------|--|---|--|--|---|
| DIMENSIONS: mm [INCHES] | | TOLERANCES UNLESS OTHERWISE SPECIFIED: 0 PLC ± 1 PLC ± 2 PLC ± 3 PLC ± 4 PLC ± ANGLES ± FINISH ± | | DWN: S. GARRETT 25JAN2010 CHK: S. JONES 25JAN2010 APVD: S. JONES 25JAN2010 | Tyco Electronics Corporation Harrisburg, PA 17105-3608 |
| MATERIAL: | | FINISH: | | NAME: KIT, WALL FRAME, FLUSH, COMMUNICATIONS, UC | SIZE: A100779 C=553739 |
| CUSTOMER DRAWING | | SCALE: 1 | | SHEET: 1 OF 1 | REV: D |