

THIS DRAWING IS UNPUBLISHED. RELEASED FOR PUBLICATION 20
 © COPYRIGHT 20 BY TYCO ELECTRONICS CORPORATION. ALL RIGHTS RESERVED.

LOC	DIST	REVISIONS			
P	LTR	DESCRIPTION	DATE	DWN	APVD
CE	00	A	RELEASE TO ACTIVE	07JUN2006	BB SM
		B	REVISE PER ECR-07-011930	06JUN2007	BB SM
		BI	ADD NOTE 4.	11MAY2009	KG SB

△ MATERIAL:

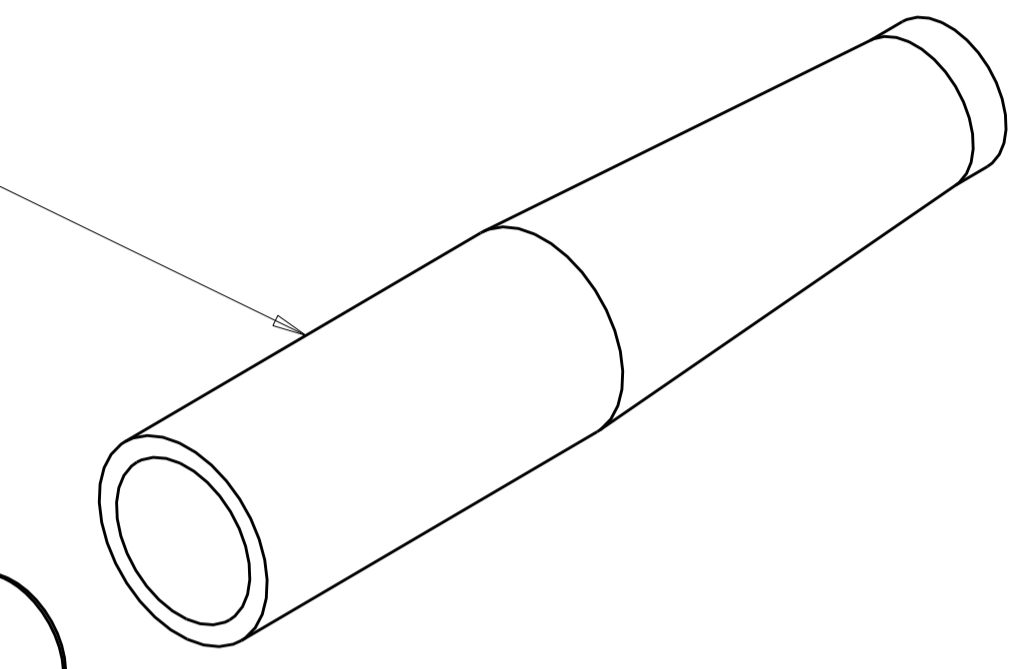
CONNECTOR HOUSING: PBT-GF17, COLOR: BEIGE.*
 CONNECTOR SUBASSEMBLY:
 PLUG BODY: PES-GF20, COLOR: BEIGE.*
 SPRING: STAINLESS STEEL
 FERRULE ASSEMBLY: CERAMIC/PBT-GF17, COLOR: BEIGE.*
 EPOXY-FILL TUBING: PVC, COLOR: CLEAR, UL VW-1 RATED.
 RETAINER BODY: PES-GF20, COLOR: BEIGE.*
 CRIMP EYELET: TIN PLATED COPPER
 BOOT: TPE, COLOR: SEE TABLE.*
 PROTECTIVE COVER: LDPE, COLOR: BLACK, NON-FR.
 *UL94 V-0 RATED AT QUALIFYING THICKNESS.

2. FOR USE WITH 2.0mm "LOOSE-JACKETED" CABLE.

△ BULK PACKAGE.

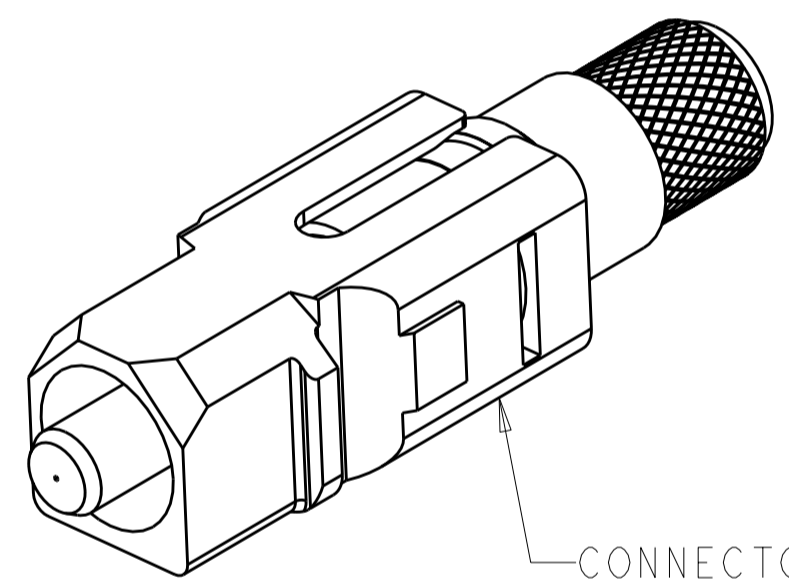
4. INSTRUCTION SHEET 408-8674 AVAILABLE FOR DOWNLOAD AT
www.tycoelectronics.com/documents OR
www.ampnetconnect.com/foguide.

SHORT BOOT

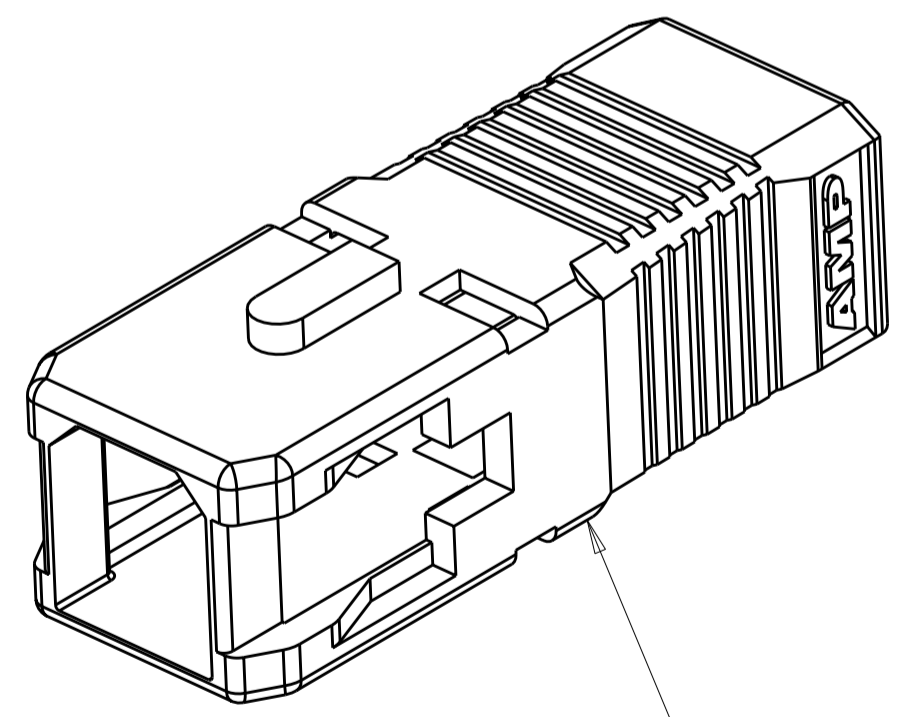


CRIMP EYELET

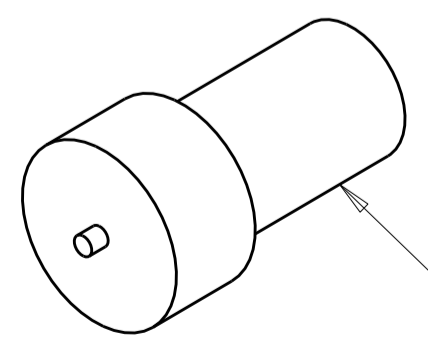
CONNECTOR SUBASSEMBLY



CONNECTOR HOUSING



PROTECTIVE COVER



BLACK	5504931-6
AQUA	5504931-5
RED	5504931-4
BLACK	5504931-3
BEIGE	5504931-1
BOOT COLOR	PART NUMBER

THIS DRAWING IS A CONTROLLED DOCUMENT FOR TYCO ELECTRONICS CORPORATION. IT IS SUBJECT TO CHANGE AND THE CONTROLLING ENGINEERING ORGANIZATION SHOULD BE CONTACTED FOR THE LATEST REVISION.		DWN B. BRIGGS 05JAN2006	Tyco Electronics Harrisburg, PA 17105-3608	
DIMENSIONS: mm		CHK S. MILLER 05JAN2006	NAME AMP SC, MULTIMODE CONNECTOR KIT, 2.0mm	
TOLERANCES UNLESS OTHERWISE SPECIFIED: 0 PLC ± 1 PLC ± 2 PLC ± 3 PLC ± 4 PLC ± ANGLES ± FINISH		APVD S. BUCHTER 05JAN2006	SIZE A200779	DRAWING NO C-5504931
MATERIAL △		PRODUCT SPEC -	RESTRICTED TO -	
		APPLICATION SPEC -	SCALE 5:1	SHEET 1 OF 1
		WEIGHT -	CUSTOMER DRAWING	REV BI