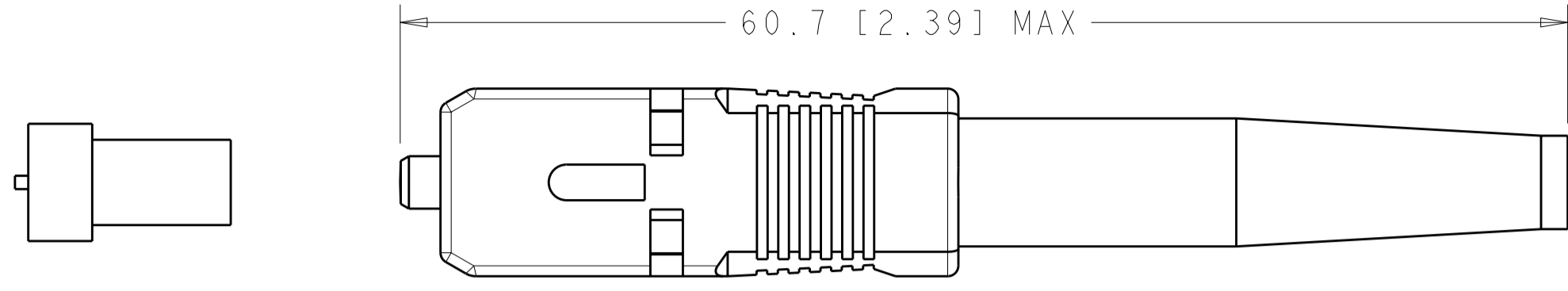


THIS DRAWING IS UNPUBLISHED. RELEASED FOR PUBLICATION 20
 © COPYRIGHT 20 BY - ALL RIGHTS RESERVED.

LOC	DIST	REVISIONS			
P	LTR	DESCRIPTION	DATE	DWN	APVD
CE	00				
	A2	REVISED PER ECO-11-005140	23MAR2011	RK	HMR



MATERIAL:
 CONNECTOR HOUSING: POLYESTER PBT, COLOR:BEIGE*
 PLUG ASSEMBLY:
 PLUG BODY: PAS, COLOR:BEIGE*
 INTERNAL BODY: NICKEL PLATED BRASS
 INTERNAL COMPONENTS: RUBBER, COLOR:BLACK
 FERRULE: CERAMIC
 FERRULE BASE: ALUMINUM ALLOY
 PLUNGER: ALUMINUM ALLOY
 PROTECTIVE COVER: LDPE, COLOR:BLACK
 CRIMP EYELET: TIN PLATED COPPER
 INNER EYELET: BRASS
 POLYMER TUBING: TYGON, COLOR:CLEAR
 HYTREL, COLOR:WHITE
 STRAIN RELIEF/BOOT: POLYOLEFIN ELASTOMER, COLOR:BEIGE*
 *UL94 V-0 RATED AT QUALIFYING THICKNESS.

BLACK PVC TUBING
 USED WITH CABLES LESS
 THAN 3.0[.12]

STRAIN RELIEF

INNER EYELET

BARE BUFFER
 BOOT

CRIMP EYELET

HYTREL TUBING

PLUG ASSEMBLY

CONNECTOR HOUSING

PROTECTIVE COVER

- INSTRUCTION SHEET: 408-4066 AVAILABLE FOR DOWNLOAD AT www.tycoelectronics.com/documents OR www.ampnetconnect.com/foguide.
- KIT 5503692-1 WILL TERMINATE:
 900um TIGHT BUFFERED FIBER
 250um COATED FIBER
 2.5-3.0mm JACKETED CABLE

4. FOR 250um OR 900um APPLICATIONS, TERMINATION MAY REQUIRE USE OF INSERTION TOOL, P/N 491042-1.

5. ANY JACKETED CABLE USED WITH SC CONNECTORS MUST ALLOW FOR THE AXIAL MOVEMENT OF THE BUFFERED FIBER IN THE CABLE JACKET WHICH OCCURS WHEN AN SC CONNECTOR IS MATED TO ANOTHER CONNECTOR OR DEVICE. CERTAIN CABLE CONSTRUCTIONS DO NOT ALLOW AXIAL MOVEMENT AND ARE NOT SUITABLE FOR USE WITH SC CONNECTORS. REFER TO INSPECTION SPECIFICATION 129-1496 FOR A METHOD OF DETERMINING WHETHER A GIVEN CABLE CONSTRUCTION ALLOWS AXIAL MOVEMENT (RESULT OF THE BUFFER PULL TEST SHOULD MEASURE LESS THAN 2 LBF).

125±2um	5503692-1
FIBER SIZE	PART NUMBER

THIS DRAWING IS A CONTROLLED DOCUMENT.		DWN B. BRIGGS 06FEB2006	TE Connectivity	
DIMENSIONS: mm [INCHES]		CHK L. SAUERWEIN 06FEB2006		
TOLERANCES UNLESS OTHERWISE SPECIFIED:		APVD S. BUCHTER 06FEB2006		
0 PLC ± 1 PLC ± 2 PLC ±0.13[.005] 3 PLC ± 4 PLC ± ANGLES ±° FINISH		PRODUCT SPEC - APPLICATION SPEC - WEIGHT -		
MATERIAL		CUSTOMER DRAWING	NAME KIT, CONNECTOR, AMP LightCrimp SC SIMPLEX, MULTIMODE	RESTRICTED TO -
		SCALE 7:2	SIZE A2	CAGE CODE C=5503692
		SHEET 1 OF 1	REV A2	