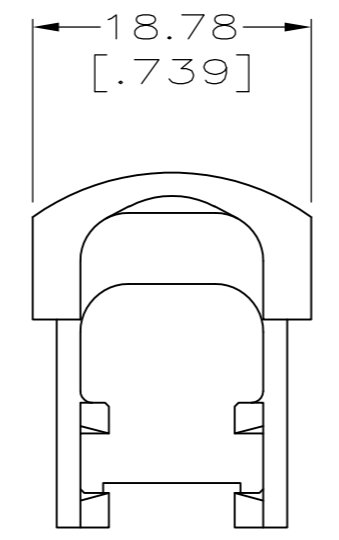
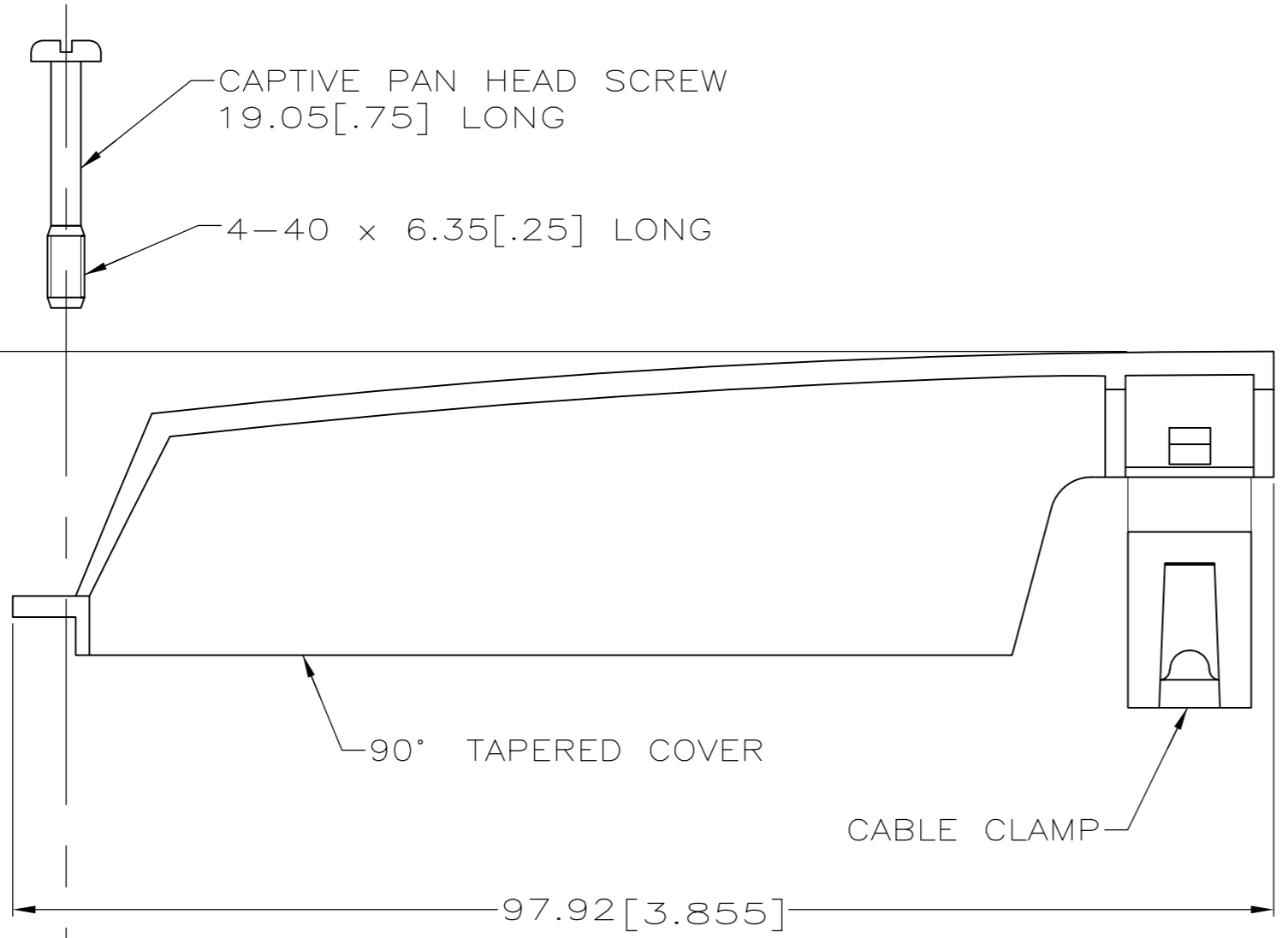


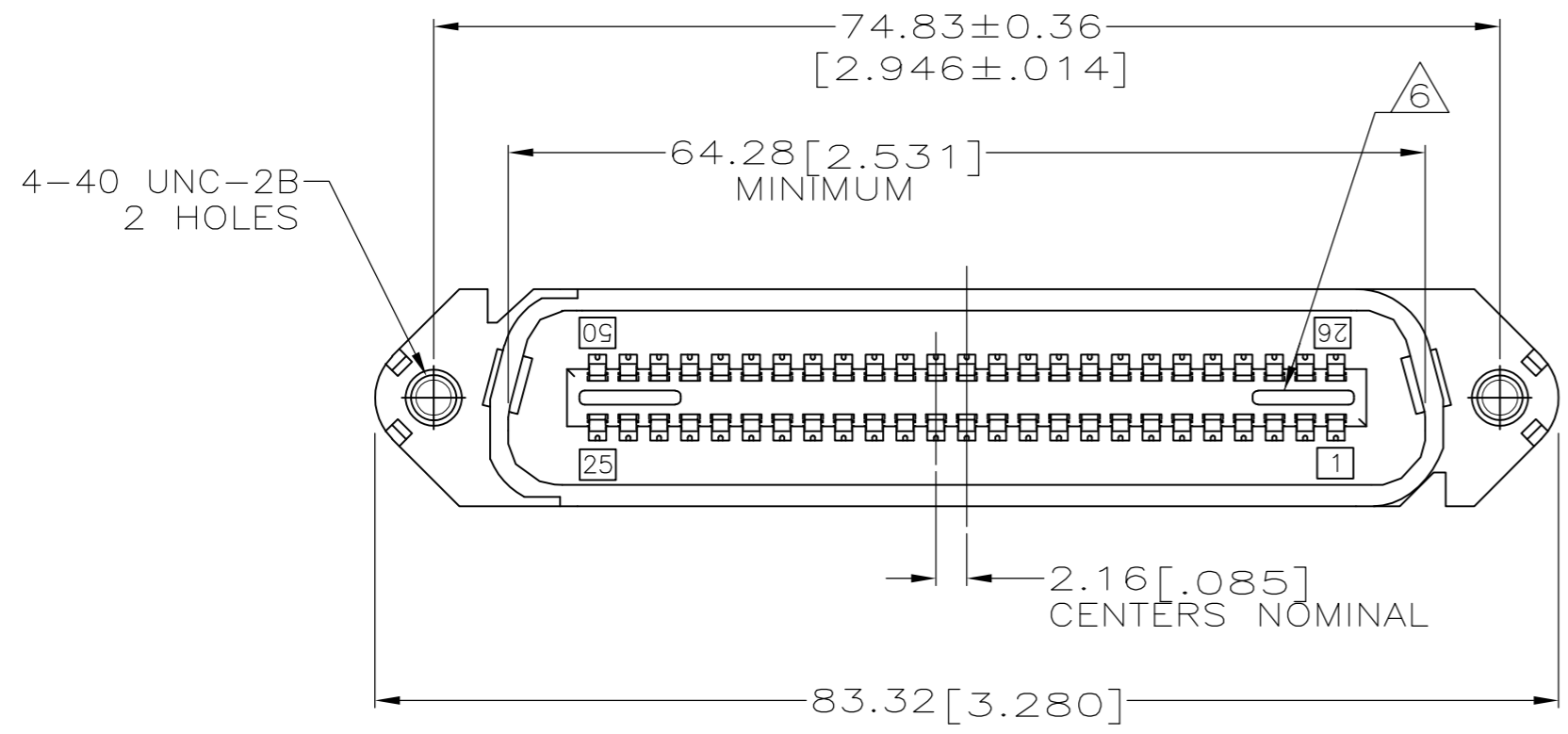
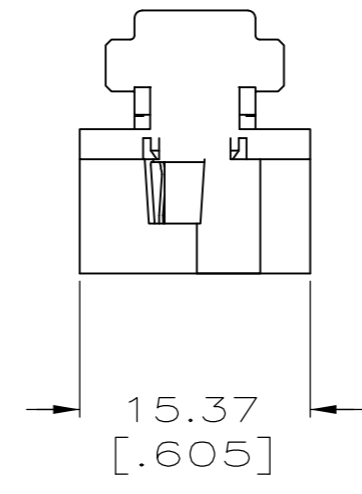
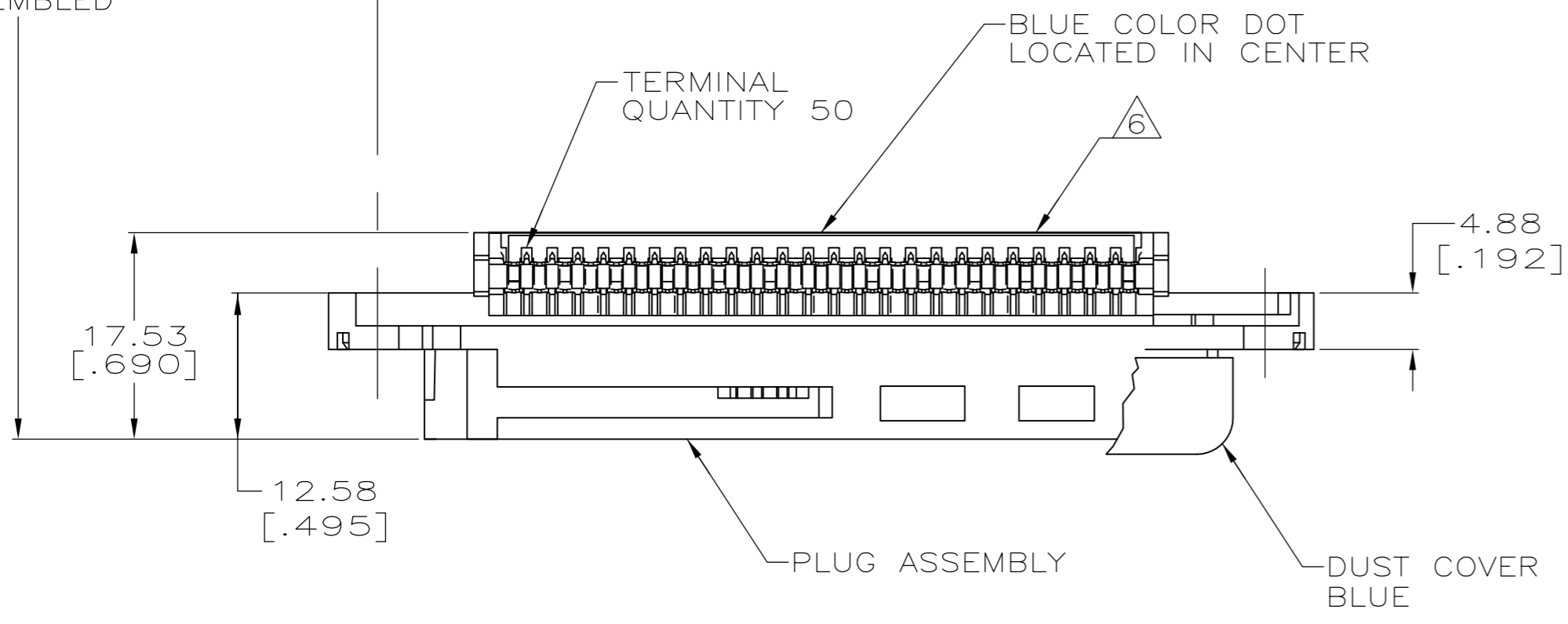
THIS DRAWING IS UNPUBLISHED. RELEASED FOR PUBLICATION  
 © COPYRIGHT - By - ALL RIGHTS RESERVED.

LOC		DIST		REVISIONS			
P	LTR	DESCRIPTION		DATE	DWN	APVD	
GP	00	B2	REVISED PER ECO-11-004835		11MAR11	RK	HMR



1. THE CONTACT SURFACES OF THE TERMINALS ARE COATED WITH LUBRICANT.
2. DIMENSIONS ARE MAXIMUM UNLESS OTHERWISE SPECIFIED.
3. MATERIAL: HOUSING AND COVER - POLYPHENYLENE OXIDE.  
 CABLE CLAMP - POLYESTER MOLDING COMPOUND.  
 TERMINAL - HIGH STRENGTH COPPER ALLOY PLATED WITH 0.76µm [.000030] MIN GOLD OR GOLD FLASH OVER PALLADIUM NICKEL PLATE, 0.76µm [.000030] MIN TOTAL ON MATING SURFACE, OVER 1.27µm [.000050] MIN NICKEL UNDERPLATE.  
 HARDWARE - ZINC PLATED STEEL.  
 DUST COVER - POLYETHYLENE MOLDING COMPOUND.
4. THIS KIT SHIPPED NOT ASSEMBLED.
5. WIRE SIZE: 24 & 26 AWG SOLID & 24/7 STRAND COPPER CONDUCTORS. MAXIMUM INSULATION DIAMETER OF 1.14[.045] IS ACCEPTABLE FOR MOST APPLICATIONS.
6. CORING MAY OR MAY NOT APPEAR AND IS AT THE DISCRETION OF AMP INCORPORATED.
7. OBSOLETE PARTS: OBSOLETE CIS STREAMLINING PER D.RENAUD/D.SINISI

33.35  
[1.313]  
ASSEMBLED



PACKAGING	CABLE RANGE	DUST COVER	COLOR	PART NUMBER
BULK PACKED	ø7.62-8.26 [ø.300-.325]	YES	BLACK	△6-5229912-7
	ø8.89-10.80 [ø.350-.425]	YES	GRAY	6-5229912-4
		NO	BLACK	6-5229912-3
POLY BAGGED	ø10.80-12.70 [ø.425-.500]	YES	BLACK	6-5229912-1
		NO	BLACK	3-5229912-1
	ø8.89-10.80 [ø.350-.425]	YES	BLACK	2-5229912-1
		NO	GRAY	1-5229912-1
		NO	BLACK	5229912-4

THIS DRAWING IS A CONTROLLED DOCUMENT.

DIMENSIONS: mm [INCHES]	TOLERANCES UNLESS OTHERWISE SPECIFIED:	DWN G.PETERS 23SEP2005	TE Connectivity	
0 PLC ± -	1 PLC ± -	CHK W.MILLHIMES 23SEP05	NAME	
2 PLC ± -	3 PLC ± -	APVD M.WALMSLEY 23SEP05	PLUG KIT, 50 POSITION, B-SLOT SCREW LOCK WITH TAPERED COVER, CHAMP-LOK	
4 PLC ± -	ANGLES ± -	PRODUCT SPEC	SIZE	RESTRICTED TO
MATERIAL	FINISH	APPLICATION SPEC	CAGE CODE	DRAWING NO
3	3	WEIGHT	A2 00779	C=5229912
CUSTOMER DRAWING			SCALE	SHEET
			2:1	1 of 1
			REV	B2