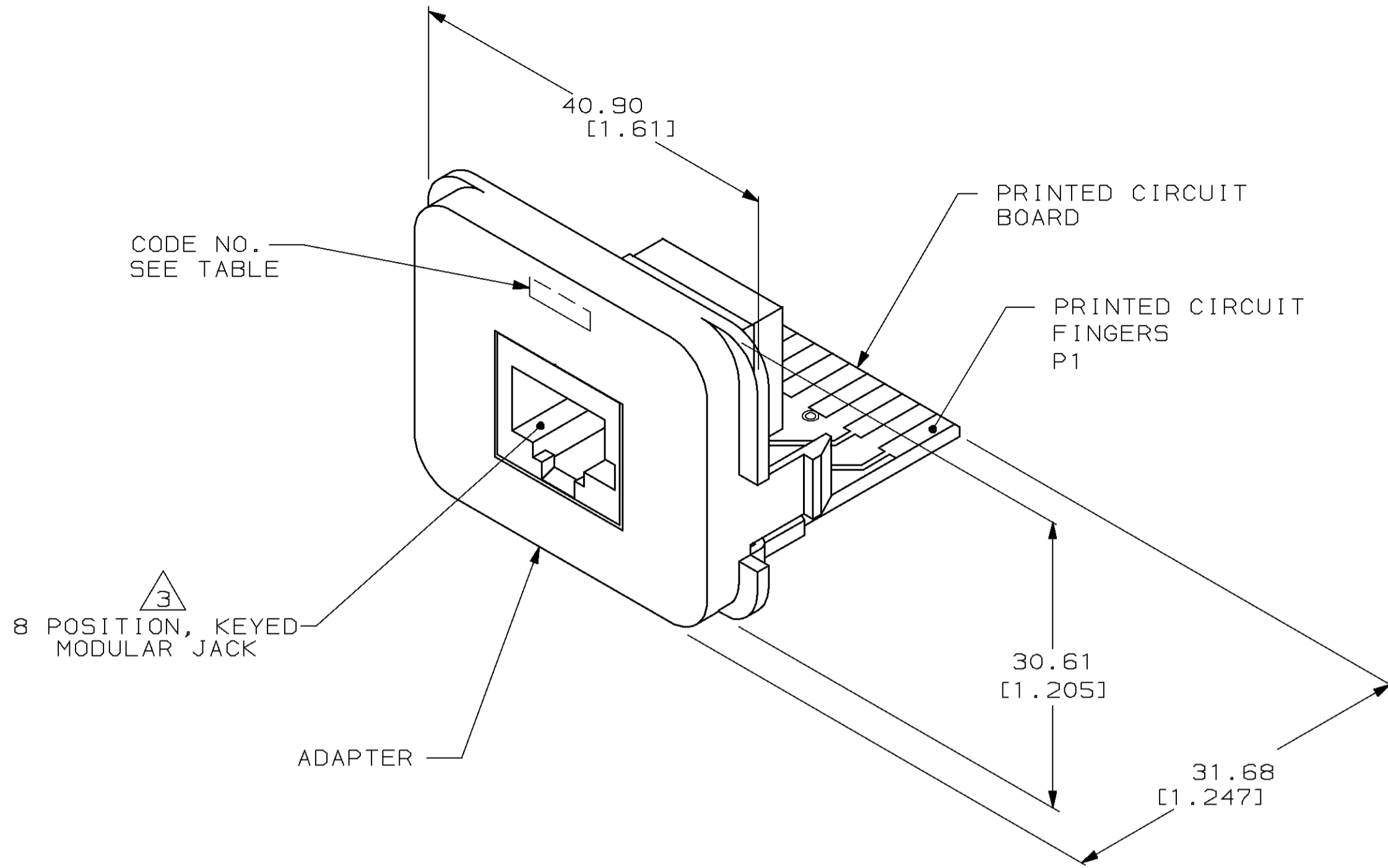
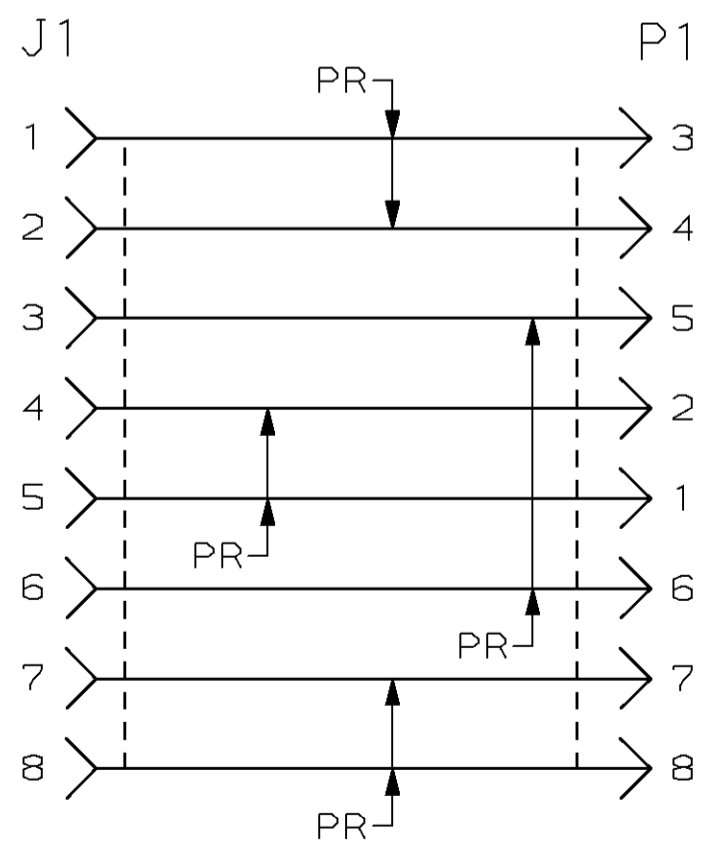


THIS DRAWING IS UNPUBLISHED. RELEASED FOR PUBLICATION
 BY AMP INCORPORATED. ALL RIGHTS RESERVED.

LOC		DIST		REVISIONS			
P	LTR	DESCRIPTION		DATE	DWN	APVD	
AA	28	0	RLSD; NPR C97-202	24SEP97	GG	GB	



- 1 DIMENSIONS ARE MAXIMUM.
- 2 MATERIAL: PRINTED CIRCUIT BOARD-LAMINATED PLASTIC SHEET, 1.57 [0.062] THICK. ADAPTER-ABS MOLDING COMPOUND, SEE TABLE. PRINTED CIRCUIT FINGERS-0.51µm [0.00020] MINIMUM GOLD PLATE OVER 1.27µm [0.00050] MINIMUM NICKEL PLATE.
- 3 THIS INTERCONNECT MEETS THE REQUIREMENTS OF IEC 603-7.
- 4. THIS INSERT IS DESIGNED TO MATE WITH AMP INC. EDGE CONNECTOR KIT AND WALLBOX KITS.



ELECTRICAL SCHEMATIC

THIS DRAWING IS A CONTROLLED DOCUMENT.		DWN G. GARRETT 24SEP97	BLACK	568B	ORANGE	406987-1
DIMENSIONS: mm [INCHES]		CHK G. GARRETT 24SEP97	MARKING COLOR	CODE NO.	ADAPTER COLOR	PART NO.
TOLERANCES UNLESS OTHERWISE SPECIFIED:		APVD G. BOWMAN 24SEP97	AMP Incorporated Harrisburg, PA 17105-3608			
0 PLC ±-		NAME	INSERT ASSEMBLY, RJ45, T568B, CATEGORY 5, AMP COMMUNICATION OUTLET			
1 PLC ±-		PRODUCT SPEC	108-1163			
2 PLC ±-		APPLICATION SPEC	114-2048			
3 PLC ±-		SIZE	A2	CAGE CODE	00779	DRAWING NO
4 PLC ±-		WEIGHT	-			
ANGLES ±-		CUSTOMER DRAWING	SCALE 2:1 SHEET 1 OF 1 REV 0			
FINISH		DRAWING NO C=406987				