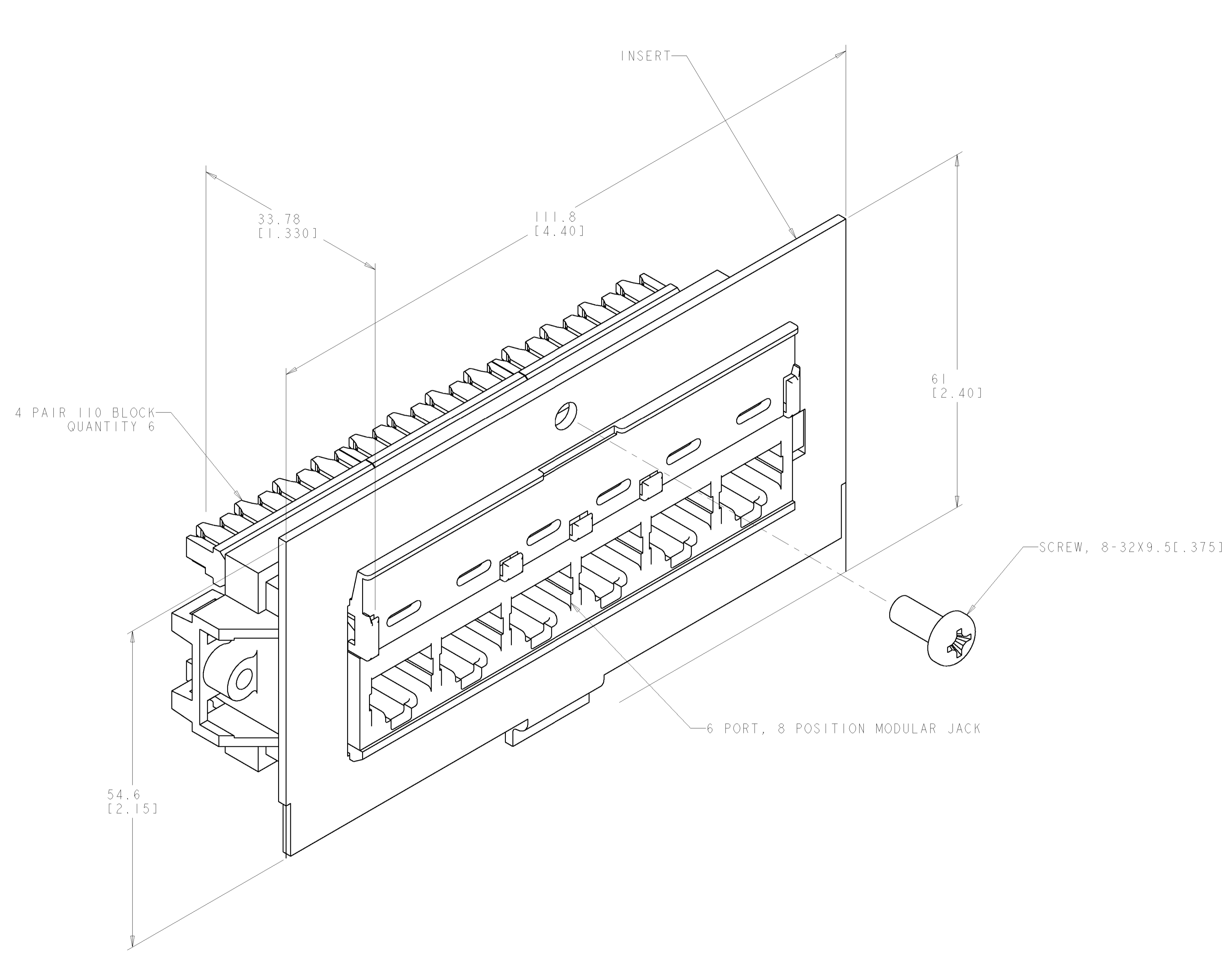
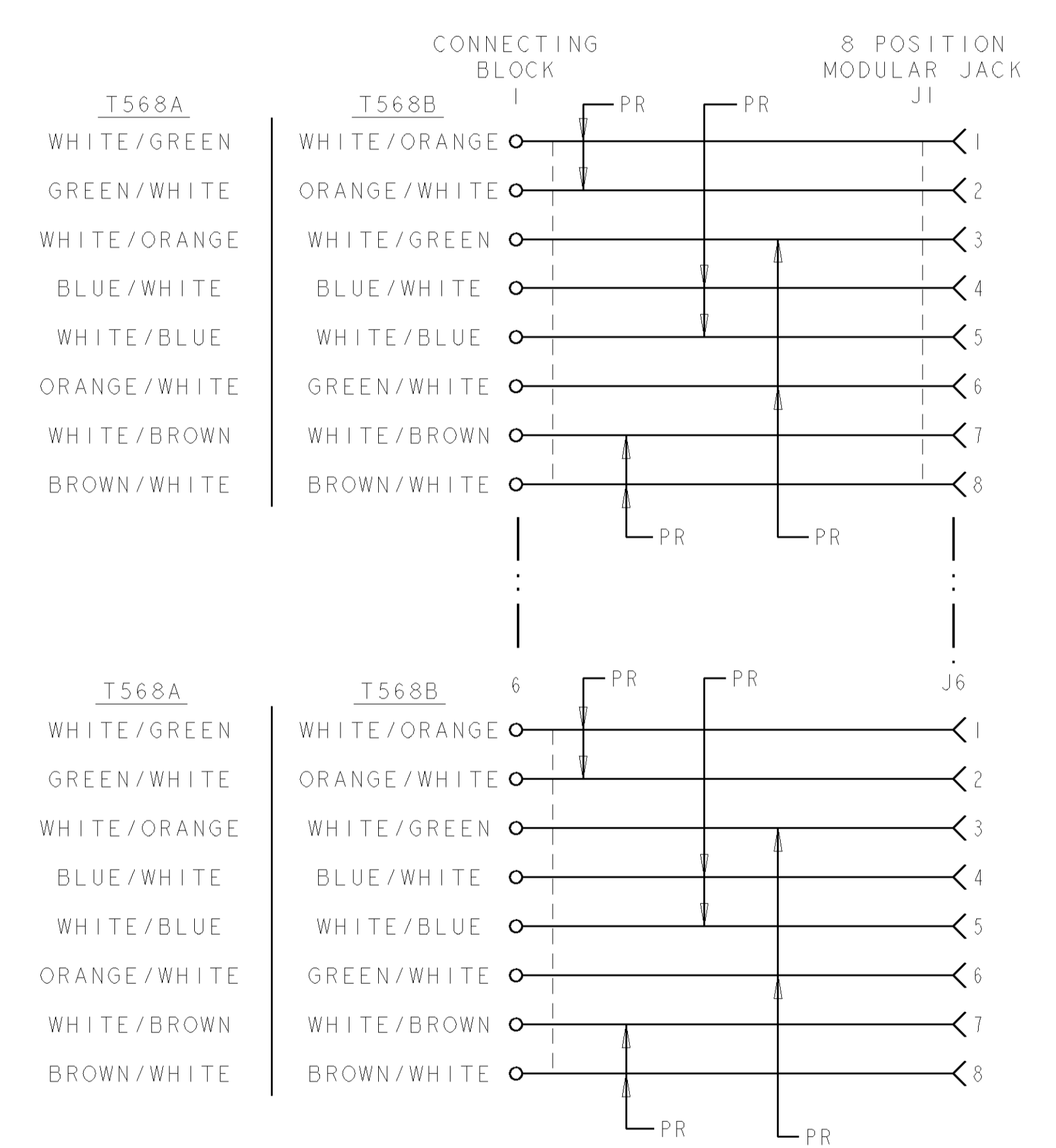


LOC		DIST		REVISIONS			
HM	00	P	LTR	DESCRIPTION	DATE	DWN	APVD
		B		REV: EC 0B40-0262-00	04DEC2000	GG	SH



- ① MATERIAL:
 INSERT - 1.50 0.06 [.059 .002] THICK
 PREGALVANIZED G90 CARBON STEEL.
 INSERT SUPPORT - 1.78 .18 [.070 .007] THICK
 PREGALVANIZED G90 CARBON STEEL.
 PRINTED CIRCUIT BOARD - LAMINATED PLASTIC
 SHEET, 1.57 [.062] THICK.
- ② SCREW, 8-32X9.5 [.375], SHIPPED LOOSE.
- ③ ONE 110 CONNECTOR UNIVERSAL WIRING LABEL
 SHIPPED LOOSE. ONE SIDE IS FOR T568A WIRING
 AND OPPOSITE SIDE FOR T568B WIRING.



ELECTRICAL SCHEMATIC
 T568A OR T568B

406772-1
 PART NUMBER

<small>THIS DRAWING IS UNPUBLISHED. RELEASED FOR PUBLICATION. THIS DRAWING IS UNPUBLISHED. RELEASED FOR PUBLICATION. THIS DRAWING IS UNPUBLISHED. RELEASED FOR PUBLICATION.</small> <small>THIS IS THE PROPERTY OF TYCO ELECTRONICS CORPORATION. IT IS TO BE KEPT UNCLASSIFIED AND UNCONTROLLED UNLESS OTHERWISE SPECIFIED.</small>		DWN LG GARRETT 04DEC2000 ESK S HERNDON 04DEC2000 APVD S HERNDON 04DEC2000	Tyco Electronics Tyco Electronics Harrisburg, PA 17105-3608
DIMENSIONS: MMI [INCHES]	TOLERANCES UNLESS OTHERWISE SPECIFIED: 9 PLC ± 1 PLC ±0.25(.011) 3 PLC ± 5 PLC ± 4 PLC ± ANGLES ±	PRODUCT SPEC APPLICATION SPEC WEIGHT CUSTOMER DRAWING	NAME MODULE ASSEMBLY, CAT5 ENHANCED, 110 TO MODULAR, UNIVERSAL WIRING, CONSOLIDATION POINT SIZE CAGE CODE DRAWING NO RESTRICTED TO A 00779 C=406772 SCALE 1:1 SHEET 1 OF 1 REV B