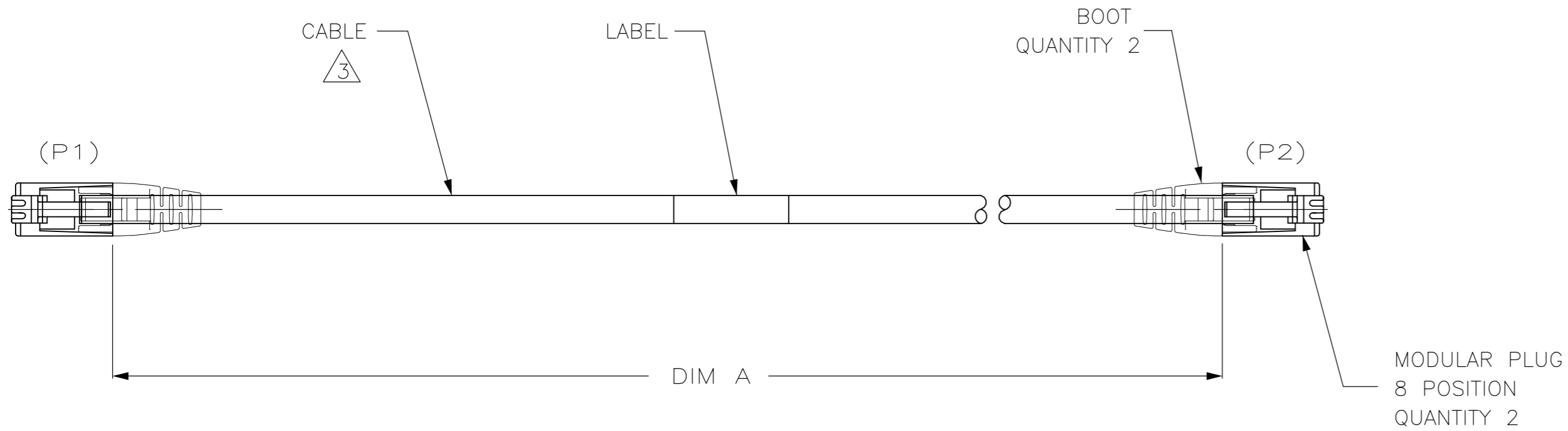
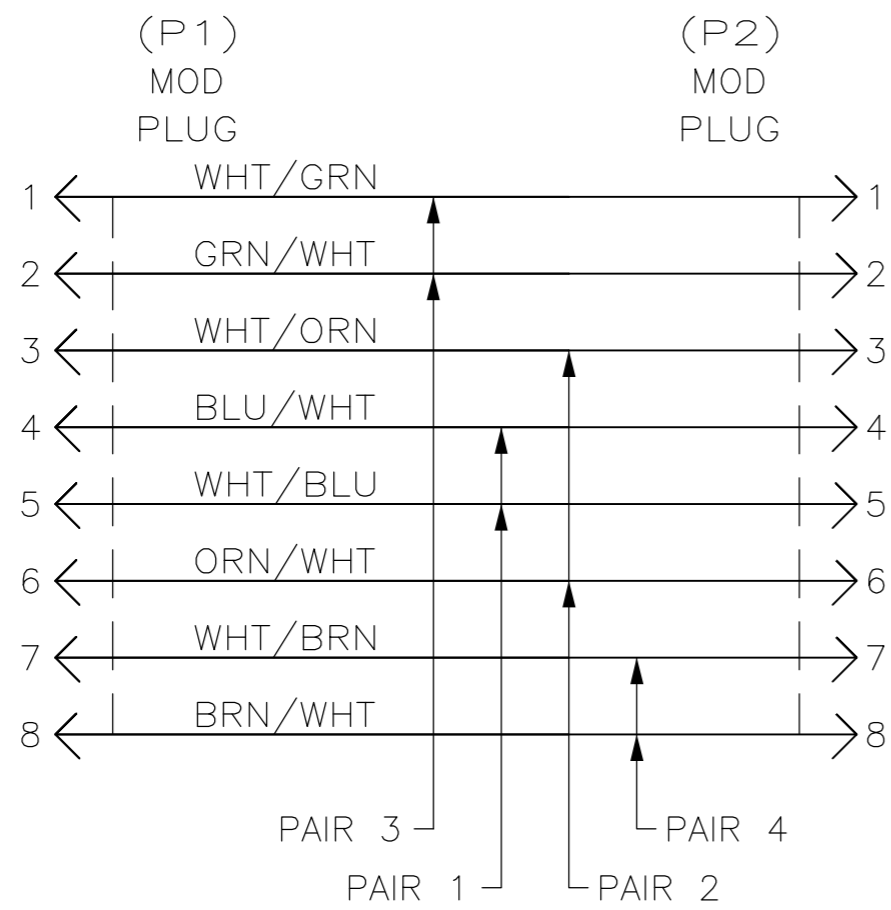


THIS DRAWING IS UNPUBLISHED. RELEASED FOR PUBLICATION
 © COPYRIGHT BY TYCO ELECTRONICS CORPORATION. ALL RIGHTS RESERVED.

| LOC | DIST | REVISIONS | | | | | |
|-----|------|-----------|-----|---------------------|-----------|-----|------|
| | | P | LTR | DESCRIPTION | DATE | DWN | APVD |
| EH | 00 | | | | | | |
| | | R | | REV - ECO-12-007616 | 09MAY2012 | GG | JG |



- ONE CABLE PACKAGED IN A CLEAR POLY BAG.
- DIMENSIONS ARE MAXIMUM UNLESS OTHERWISE SPECIFIED.
- CABLE: UNSHIELDED 24 AWG, 4 TWISTED PAIRS, 7/32 STRANDED CONDUCTORS, 100 OHMS.
- DESIGNATIONS IN PARENTHESES () ARE FOR REFERENCE ONLY.
- AN ALTERNATE FORM OF CONNECTOR COMPONENTS RESULTING IN EQUIVALENT PERFORMANCE IS ACCEPTABLE.



WIRING DIAGRAM
568A

| | | | |
|-------------|-----------|-------------------|------------|
| 30.48 | 100 | 30632.4 (1206.00) | 9-406483-9 |
| 0.15 | 0.5 | 203.2 (8.00) | 9-406483-8 |
| 22.86 | 75 | 23012.4 (906.00) | 7-406483-5 |
| 19.81 | 65 | 19964.4 (786.00) | 6-406483-5 |
| 18.29 | 60 | 18440.4 (726.00) | 6-406483-0 |
| 15.24 | 50 | 15392.4 (606.00) | 5-406483-0 |
| 12.20 | 40 | 12344.4 (486.00) | 4-406483-0 |
| 10.67 | 35 | 10820.0 (426.00) | 3-406483-5 |
| 10.37 | 34 | 10515.6 (414.00) | 3-406483-4 |
| 9.75 | 32 | 9906.0 (390.00) | 3-406483-2 |
| 9.15 | 30 | 9296.4 (366.00) | 3-406483-0 |
| 8.53 | 28 | 8686.8 (342.00) | 2-406483-8 |
| 7.92 | 26 | 8077.2 (318.00) | 2-406483-6 |
| 7.62 | 25 | 7721.6 (304.00) | 2-406483-5 |
| 7.32 | 24 | 7416.8 (292.00) | 2-406483-4 |
| 6.71 | 22 | 6807.2 (268.00) | 2-406483-2 |
| 6.1 | 20 | 6197.6 (244.00) | 2-406483-0 |
| 5.49 | 18 | 5588.0 (220.00) | 1-406483-8 |
| 4.88 | 16 | 4978.4 (196.00) | 1-406483-6 |
| 4.57 | 15 | 4724.4 (184.00) | 1-406483-5 |
| 4.27 | 14 | 4368.8 (172.00) | 1-406483-4 |
| 3.66 | 12 | 3759.2 (148.00) | 1-406483-2 |
| 3.35 | 11 | 3454.4 (136.00) | 1-406483-1 |
| 3.05 | 10 | 3149.6 (124.00) | 1-406483-0 |
| 2.74 | 9 | 2794.0 (110.00) | 406483-9 |
| 2.44 | 8 | 2489.2 (98.00) | 406483-8 |
| 2.14 | 7 | 2184.4 (86.00) | 406483-7 |
| 1.83 | 6 | 1879.6 (74.00) | 406483-6 |
| 1.53 | 5 | 1574.8 (62.00) | 406483-5 |
| 1.22 | 4 | 1270.0 (50.00) | 406483-4 |
| 0.92 | 3 | 965.2 (38.00) | 406483-3 |
| 0.61 | 2 | 660.4 (26.00) | 406483-2 |
| 0.30 | 1 | 355.6 (14.00) | 406483-1 |
| METERS, REF | FEET, REF | DIM A | PART NO |

| | | | | |
|---|--|--|---|--------------------|
| THIS DRAWING IS A CONTROLLED DOCUMENT. | | DWN G.GARRETT 10JAN97 | Tyco Electronics Corporation Harrisburg, PA 17105-3608 | |
| DIMENSIONS: mm [INCHES] | | CHK G.GARRETT 10JAN97 | NAME CABLE ASSEMBLY, MODULAR PLUG, 8 POSITION, BLACK, ENHANCED CATEGORY 5 | |
| TOLERANCES UNLESS OTHERWISE SPECIFIED: | | APVD B.ANTHONY 10JAN97 | RESTRICTED TO | |
| 0 PLC ± - 1 PLC ± - 2 PLC ± - 3 PLC ± - 4 PLC ± - ANGLES ± - FINISH - | | PRODUCT SPEC 108-1163 APPLICATION SPEC 114-6053 | SIZE A2 | CAGE CODE 00779 |
| MATERIAL | | WEIGHT | DRAWING NO C=406483 | SCALE NTS |
| | | CUSTOMER DRAWING | SHEET 1 OF 1 | REV R |