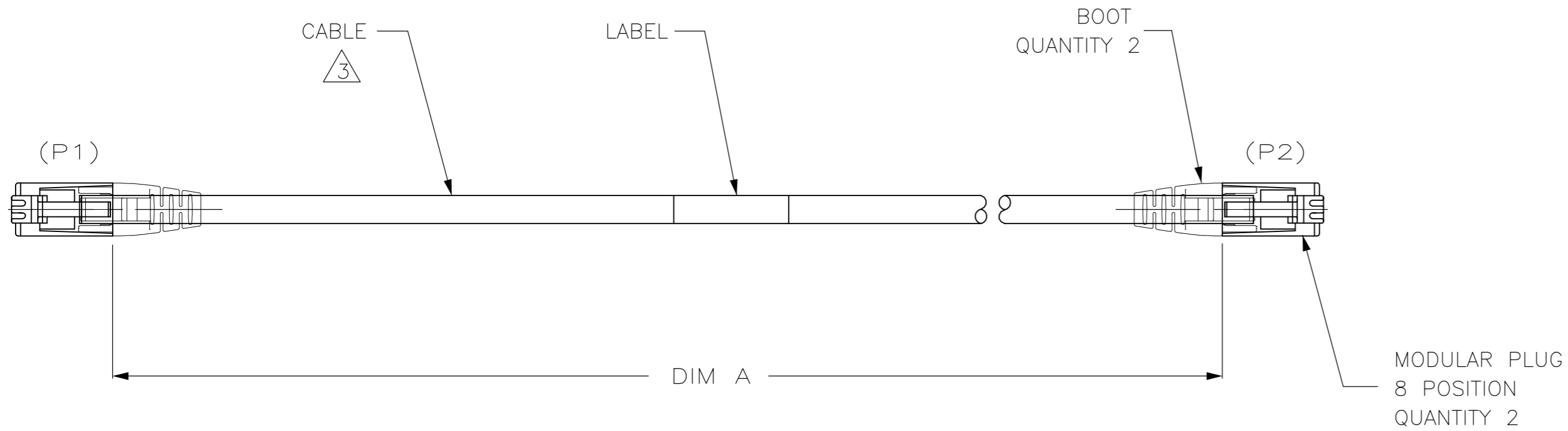
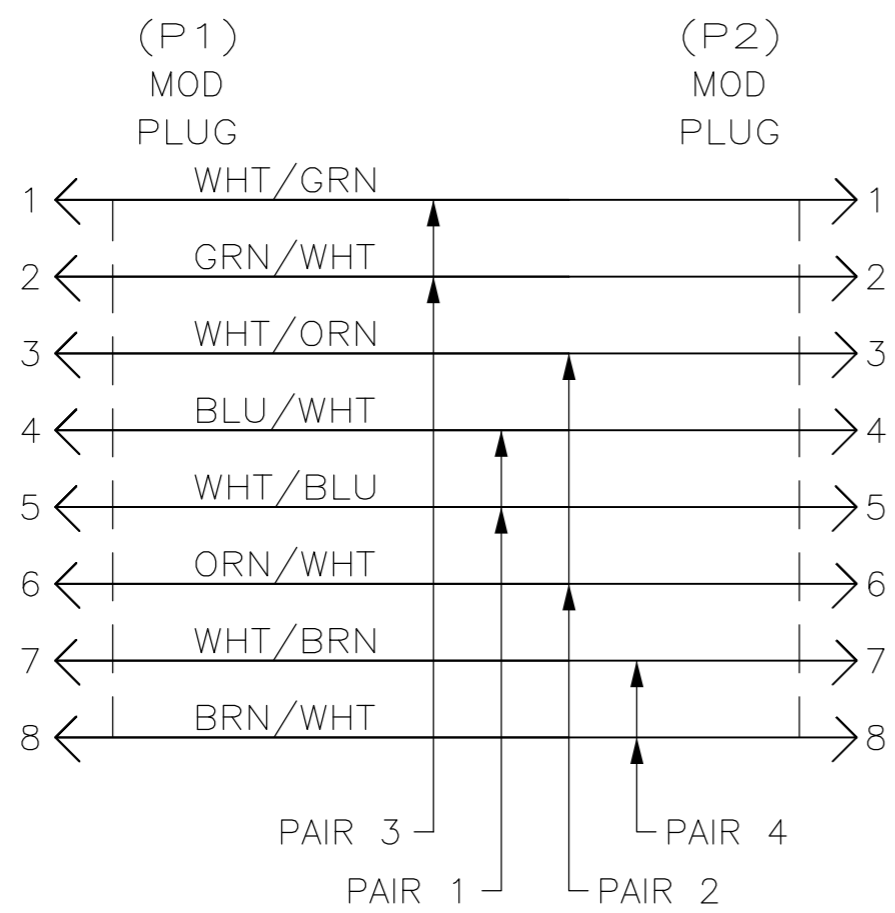


THIS DRAWING IS UNPUBLISHED. RELEASED FOR PUBLICATION  
 © COPYRIGHT BY TYCO ELECTRONICS CORPORATION. ALL RIGHTS RESERVED.

LOC	DIST	REVISIONS					
		P	LTR	DESCRIPTION	DATE	DWN	APVD
EH	00	R		REV - ECO-12-007616	09MAY2012	GG	JG



- ONE CABLE PACKAGED IN A CLEAR POLY BAG.
- DIMENSIONS ARE MAXIMUM UNLESS OTHERWISE SPECIFIED.
- CABLE: UNSHIELDED 24 AWG, 4 TWISTED PAIRS, 7/32 STRANDED CONDUCTORS, 100 OHMS.
- DESIGNATIONS IN PARENTHESES ( ) ARE FOR REFERENCE ONLY.
- AN ALTERNATE FORM OF CONNECTOR COMPONENTS RESULTING IN EQUIVALENT PERFORMANCE IS ACCEPTABLE.



WIRING DIAGRAM  
568A

30.48	100	30632.4 (1206.00)	9-406483-9
0.15	0.5	203.2 (8.00)	9-406483-8
22.86	75	23012.4 (906.00)	7-406483-5
19.81	65	19964.4 (786.00)	6-406483-5
18.29	60	18440.4 (726.00)	6-406483-0
15.24	50	15392.4 (606.00)	5-406483-0
12.20	40	12344.4 (486.00)	4-406483-0
10.67	35	10820.0 (426.00)	3-406483-5
10.37	34	10515.6 (414.00)	3-406483-4
9.75	32	9906.0 (390.00)	3-406483-2
9.15	30	9296.4 (366.00)	3-406483-0
8.53	28	8686.8 (342.00)	2-406483-8
7.92	26	8077.2 (318.00)	2-406483-6
7.62	25	7721.6 (304.00)	2-406483-5
7.32	24	7416.8 (292.00)	2-406483-4
6.71	22	6807.2 (268.00)	2-406483-2
6.1	20	6197.6 (244.00)	2-406483-0
5.49	18	5588.0 (220.00)	1-406483-8
4.88	16	4978.4 (196.00)	1-406483-6
4.57	15	4724.4 (184.00)	1-406483-5
4.27	14	4368.8 (172.00)	1-406483-4
3.66	12	3759.2 (148.00)	1-406483-2
3.35	11	3454.4 (136.00)	1-406483-1
3.05	10	3149.6 (124.00)	1-406483-0
2.74	9	2794.0 (110.00)	406483-9
2.44	8	2489.2 (98.00)	406483-8
2.14	7	2184.4 (86.00)	406483-7
1.83	6	1879.6 (74.00)	406483-6
1.53	5	1574.8 (62.00)	406483-5
1.22	4	1270.0 (50.00)	406483-4
0.92	3	965.2 (38.00)	406483-3
0.61	2	660.4 (26.00)	406483-2
0.30	1	355.6 (14.00)	406483-1
METERS, REF	FEET, REF	DIM A	PART NO

THIS DRAWING IS A CONTROLLED DOCUMENT.		DWN G.GARRETT 10JAN97	Tyco Electronics Corporation Harrisburg, PA 17105-3608	
DIMENSIONS: mm [INCHES]		CHK G.GARRETT 10JAN97	NAME CABLE ASSEMBLY, MODULAR PLUG, 8 POSITION, BLACK, ENHANCED CATEGORY 5	
TOLERANCES UNLESS OTHERWISE SPECIFIED:		APVD B.ANTHONY 10JAN97	RESTRICTED TO	
0 PLC ± -		PRODUCT SPEC 108-1163	SIZE A2	
1 PLC ± -		APPLICATION SPEC 114-6053	CAGE CODE 00779	
2 PLC ± -		WEIGHT -	DRAWING NO C=406483	
3 PLC ± -		SCALE NTS		
4 PLC ± -		SHEET 1 OF 1		
ANGLES ± -		REV R		
FINISH		CUSTOMER DRAWING		