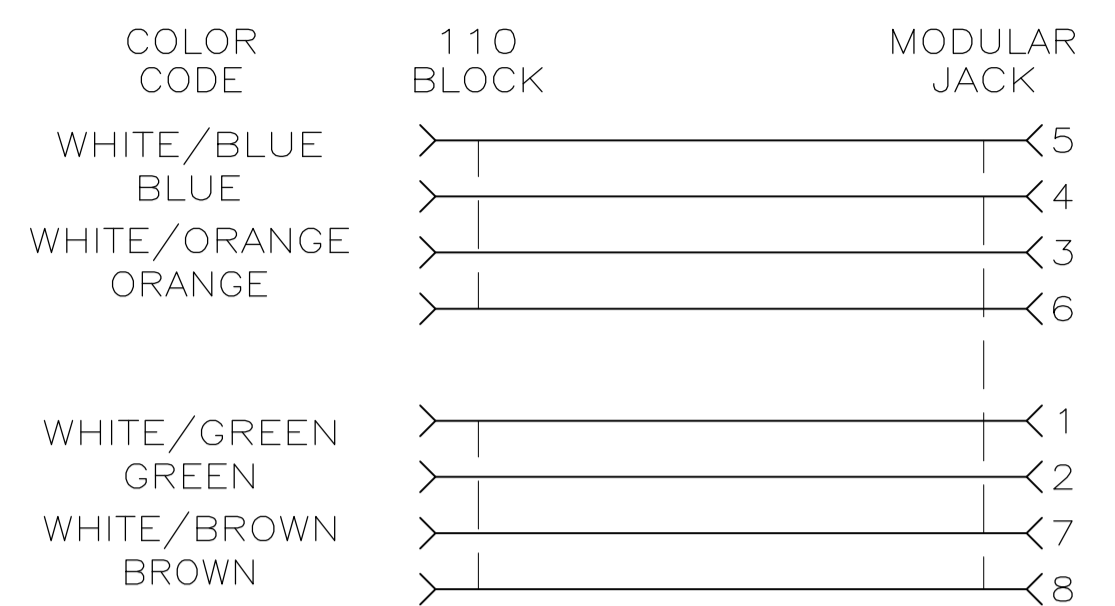
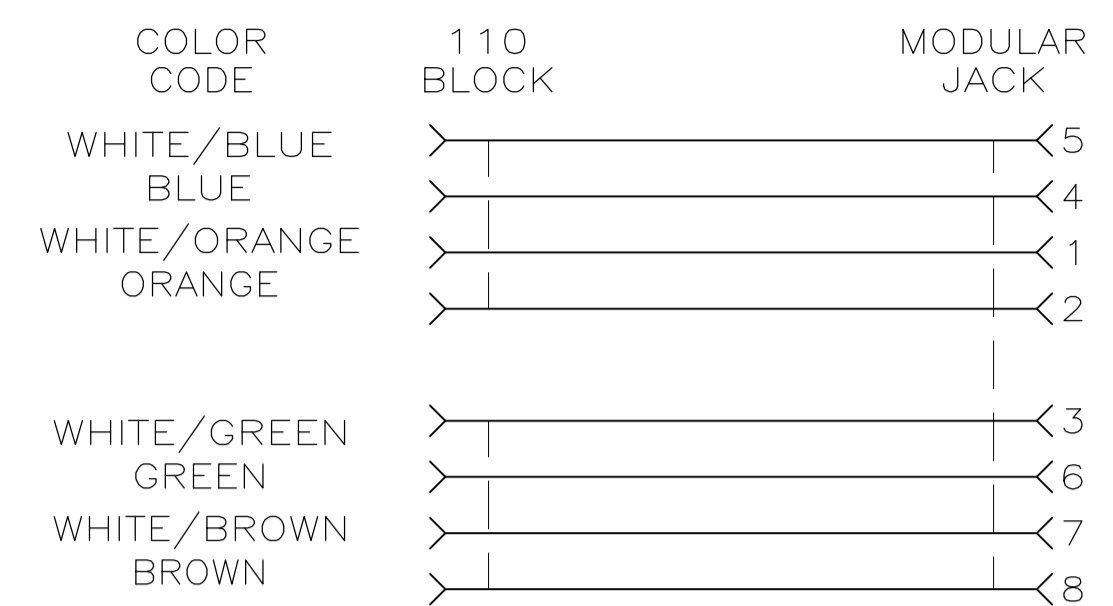


LOC		DIST		REVISIONS			
HM	00	REV	DESCRIPTION	DATE	BY	CHK	APPV
G1		REVISED PER	ECO-11-005033	21MAR11	RK	HMR	
G2		ADD 1/3, REV	ECO-11-011931	10JUN2011	LH	SA	

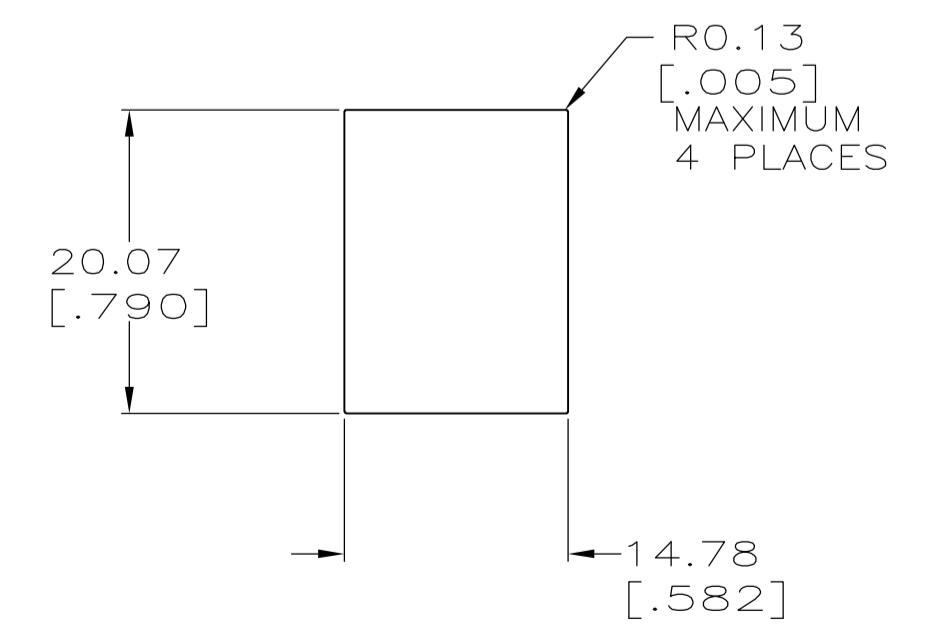
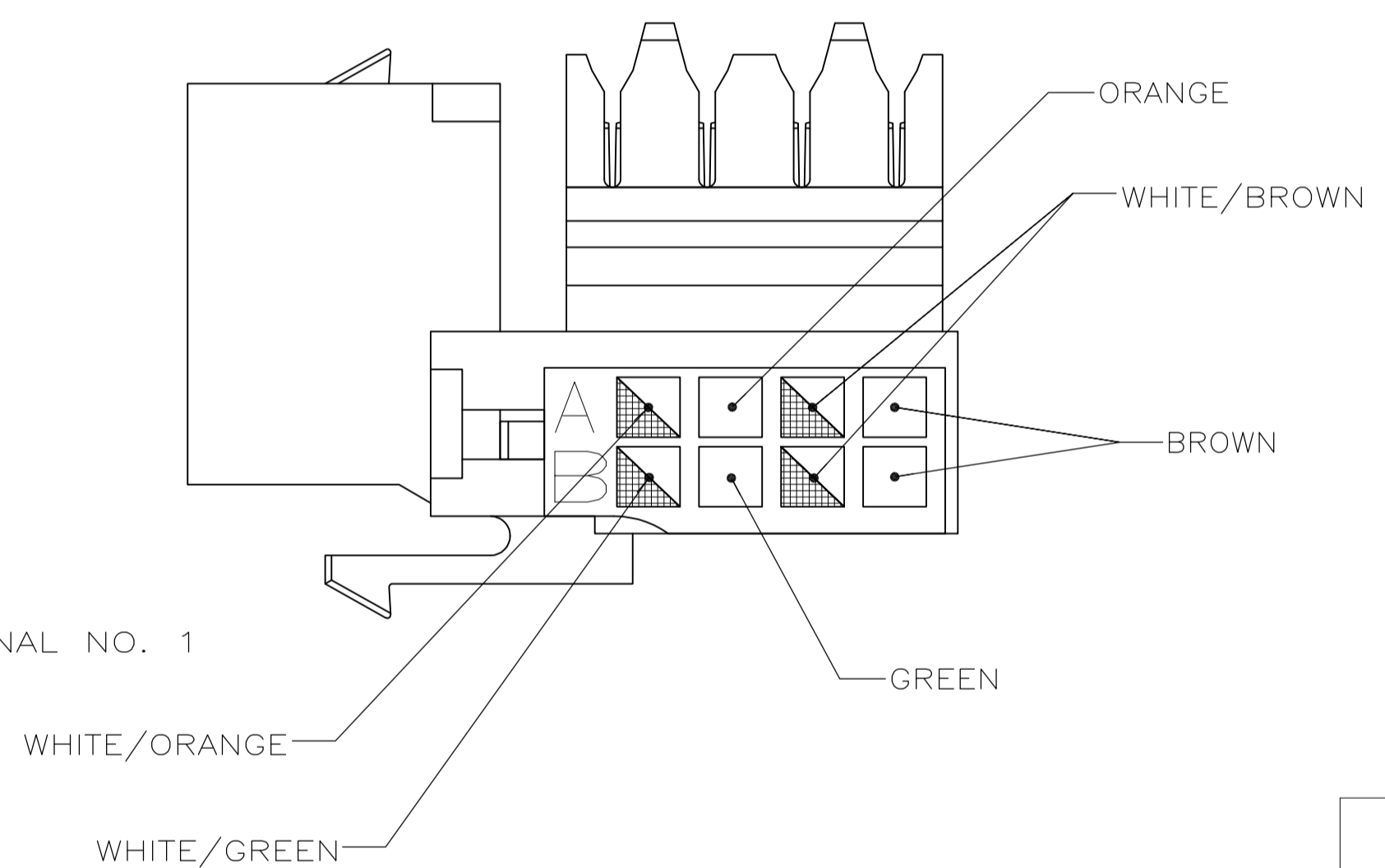
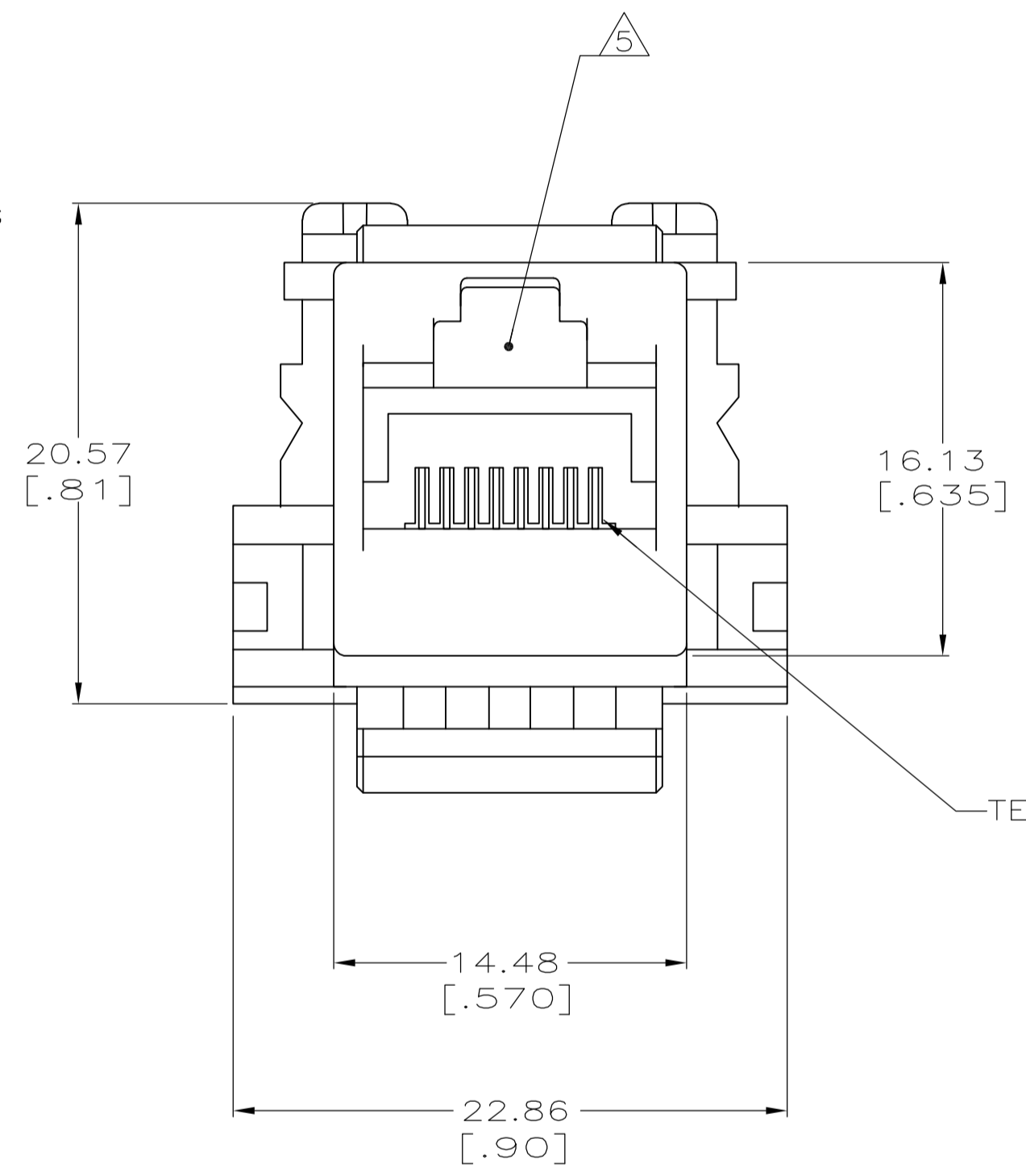
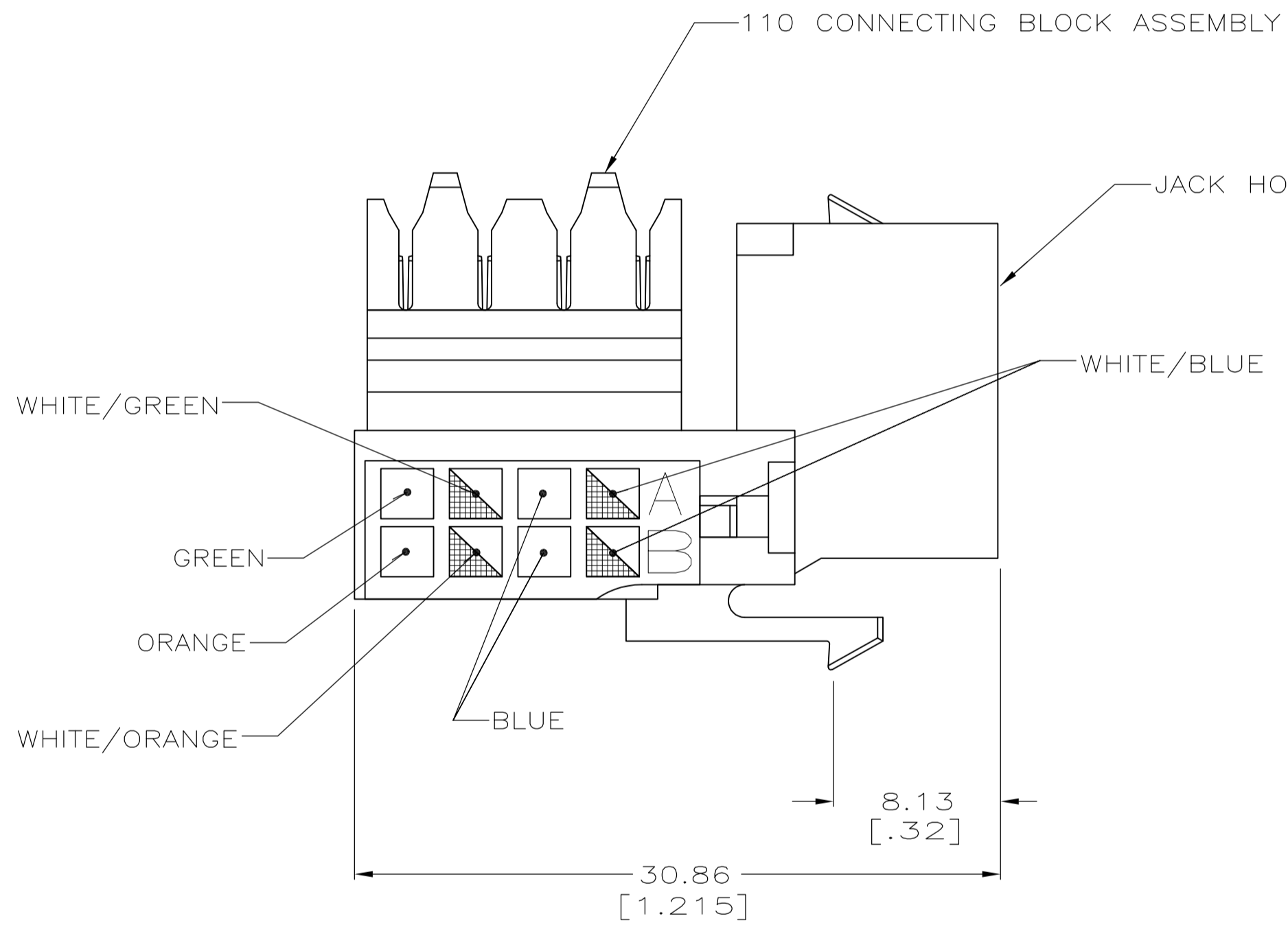


ELECTRICAL SCHEMATIC T568A

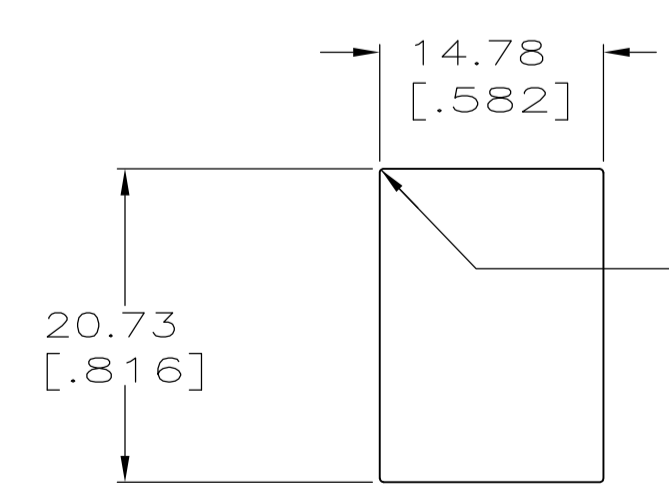


ELECTRICAL SCHEMATIC T568B

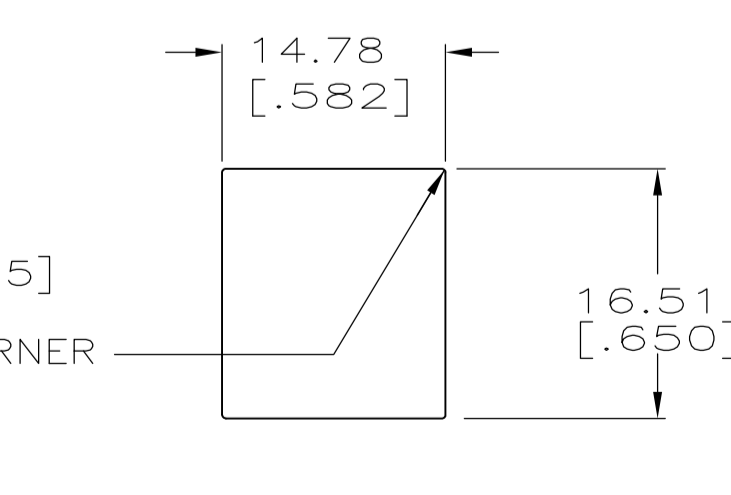
- ⚠ MATERIAL: HOUSING - POLYCARBONATE, 94V-0 RATED. SEE TABLE FOR COLOR. 110 BLOCKS - POLYCARBONATE, 94V-0 RATED. JACK CONTACTS - PHOSPHOROUS BRONZE, PLATED WITH 1.27μm [.000050] MINIMUM THICK GOLD IN LOCALIZED AREA AND 3.81μm [.000150] MINIMUM THICK MATTE TIN IN SOLDER AREA OVER 1.27μm [.000050] MINIMUM THICK NICKEL UNDERPLATE.
- 2. 110 BLOCK WILL TERMINATE 22-26 AWG SOLID OR 7 STRAND CONDUCTORS, 1.27 [.050] MAXIMUM INSULATION DIAMETER.
- 3. MOUNTING PANEL THICKNESS 1.473 - 1.600 [.058 - .063].
- ⚠ ONE MODULAR JACK ASSEMBLY PER POLYBAG.
- ⚠ CAVITY CONFORMS TO FCC RULES AND REGULATIONS PART 68 SUBPART F REQUIREMENTS.
- ⚠ THESE TWO SUGGESTED CUTOUT OPENINGS ARE USED IN TANDEM WITH DUAL FRONT AND BACK CUTOUTS.
- ⚠ TWENTY FIVE MODULAR JACK ASSEMBLIES PER POLYBAG.



SUGGESTED SINGLE PANEL CUTOUT SCALE 2:1



SUGGESTED BACK PANEL CUTOUT SCALE 2:1



SUGGESTED FRONT PANEL CUTOUT SCALE 2:1

PACKAGED	HOUSING COLOR	PART NUMBER	
⚠	ALPINE WHITE	3-406372-3	
	ELECTRIC IVORY	3-406372-1	
	VIOLET	3-406372-0	
	GREEN	2-406372-9	
	YELLOW	2-406372-8	
	RED	2-406372-7	
	BLUE	2-406372-6	
	ORANGE	2-406372-5	
	NEMA GRAY	2-406372-4	
	WHITE	2-406372-3	
	BLACK	2-406372-2	
	LIGHT ALMOND	2-406372-1	
	⚠	ALPINE WHITE	1-406372-3
		ELECTRIC IVORY	1-406372-1
VIOLET		1-406372-0	
GREEN		406372-9	
YELLOW		406372-8	
RED		406372-7	
BLUE		406372-6	
ORANGE		406372-5	
NEMA GRAY		406372-4	
WHITE		406372-3	
BLACK	406372-2		
LIGHT ALMOND	406372-1		

THIS DRAWING IS A CONTROLLED DOCUMENT.

DL DRUMMOND 25 NOV 96  
T WOOTEN 09 JAN 97  
G ROWMAN 09 JAN 97

APPROVED BY: G. ROWMAN

NAME: 110 MODULAR JACK ASSEMBLY, RJ45, ENHANCED CAT5, UNIVERSAL

PRODUCT SPEC: 108-1389

APPLICATION SPEC: 408-3389

SIZE: A1

SCALE: 4:1

SHEET: 1 OF 1

REV: G2

RESTRICTED TO: -

CUSTOMER DRAWING