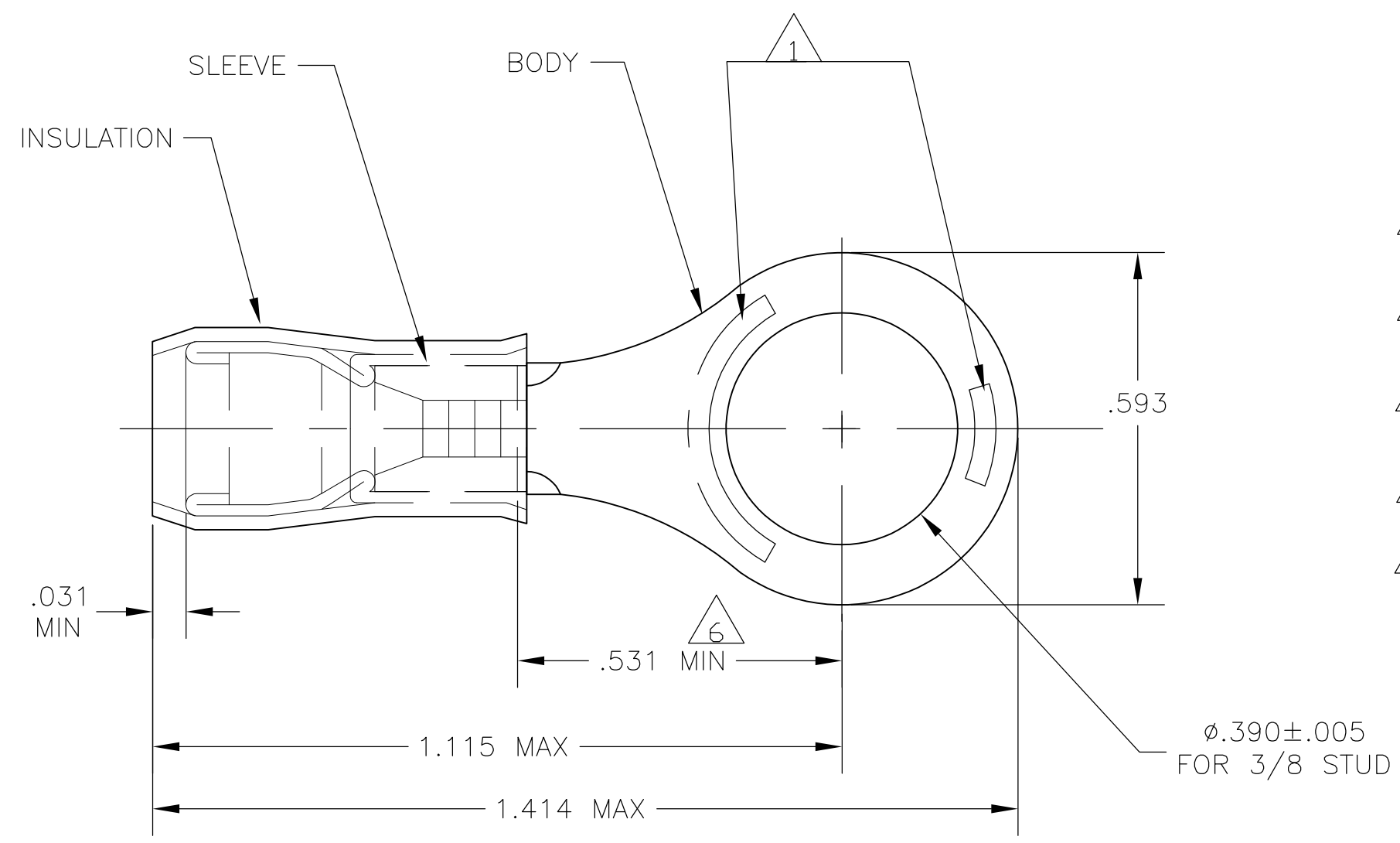


THIS DRAWING IS UNPUBLISHED. RELEASED FOR PUBLICATION  
 © COPYRIGHT - By - ALL RIGHTS RESERVED.

LOC	DIST	REVISIONS					
		P	LTR	DESCRIPTION	DATE	DWN	APVD
G	14		G4	REVISED PER ECO-11-004917	11MAR11	RK	HMR



- 1 STAMP AMP 12-10\* 6-9 APPROX AS SHOWN
- 2 WIRE INSULATION DIA: .150-.250
- 3 TONGUE MATERIAL THK: .039±.002
- 4 BODY & SLEEVE: TIN PLATE PER ASTM B545
- 5 BODY & SLEEVE- CU PER ASTM B152 INSULATION - NYLON, COLOR - YELLOW
- 6 APPLIES FROM EDGE OF METAL WIRE BARREL TO CENTER OF STUD HOLE.
- 7 SUPERSEDED BY 8-35112-1
- 8 MEETS MS25036-114, CLASS 1 & 2

-5	LOOSE PIECE, BOX	7-35112-4	7
-25	LOOSE PIECE, BOX	8-35112-4	7
100	LOOSE PIECE, BOX	8-35112-1	
1000	TAPE & REEL	2-35112-2	
500	LOOSE PIECE	35112	8
QTY	PACKAGE TYPE	PART NO	

**AMP INCORPORATED**  
**CUSTOMER SERVICE SYSTEMS**

FOR ADDITIONAL PRODUCT INFORMATION OR COPIES OF DRAWINGS AND TECHNICAL DOCUMENTS  
 PRODUCT INFORMATION CENTER  
 1-800-522-6752

FOR APPLICATION TOOLING INFORMATION  
 TOOLING ASSISTANCE CENTER  
 1-800-722-1111

FOR ORDER ENTRY  
 1-800-526-5142

MAX RECOMMENDED OPERATING TEMPERATURE:  
 105°C MAX

VOLTAGE RATING:  
 300 VOLT MAX

CIRCULAR MIL AREA:  
 2.62-6.64mm<sup>2</sup> [5,180-13,100]  
 STRANDED OR SOLID

THIS DRAWING IS A CONTROLLED DOCUMENT.

DIMENSIONS: INCHES

TOLERANCES UNLESS OTHERWISE SPECIFIED:

0 PLC	± -
1 PLC	± -
2 PLC	± -
3 PLC	± .008
4 PLC	± -
ANGLES	± -

MATERIAL

FINISH

DWN JR RUTH 22MAR07  
 CHK T MICHELUTTI 22MAR07  
 APVD T MICHELUTTI 22MAR07  
 PRODUCT SPEC  
 APPLICATION SPEC  
 WEIGHT -

**STE** TE Connectivity

NAME: TERMINAL, RING TONGUE, P.I.D.G. WIRE SIZE: 12-10 AWG

SIZE: A3 CAGE CODE: 00779 DRAWING NO: C-35112 RESTRICTED TO: -

CUSTOMER DRAWING SCALE: 4:1 SHEET: 1 OF 1 REV: G4