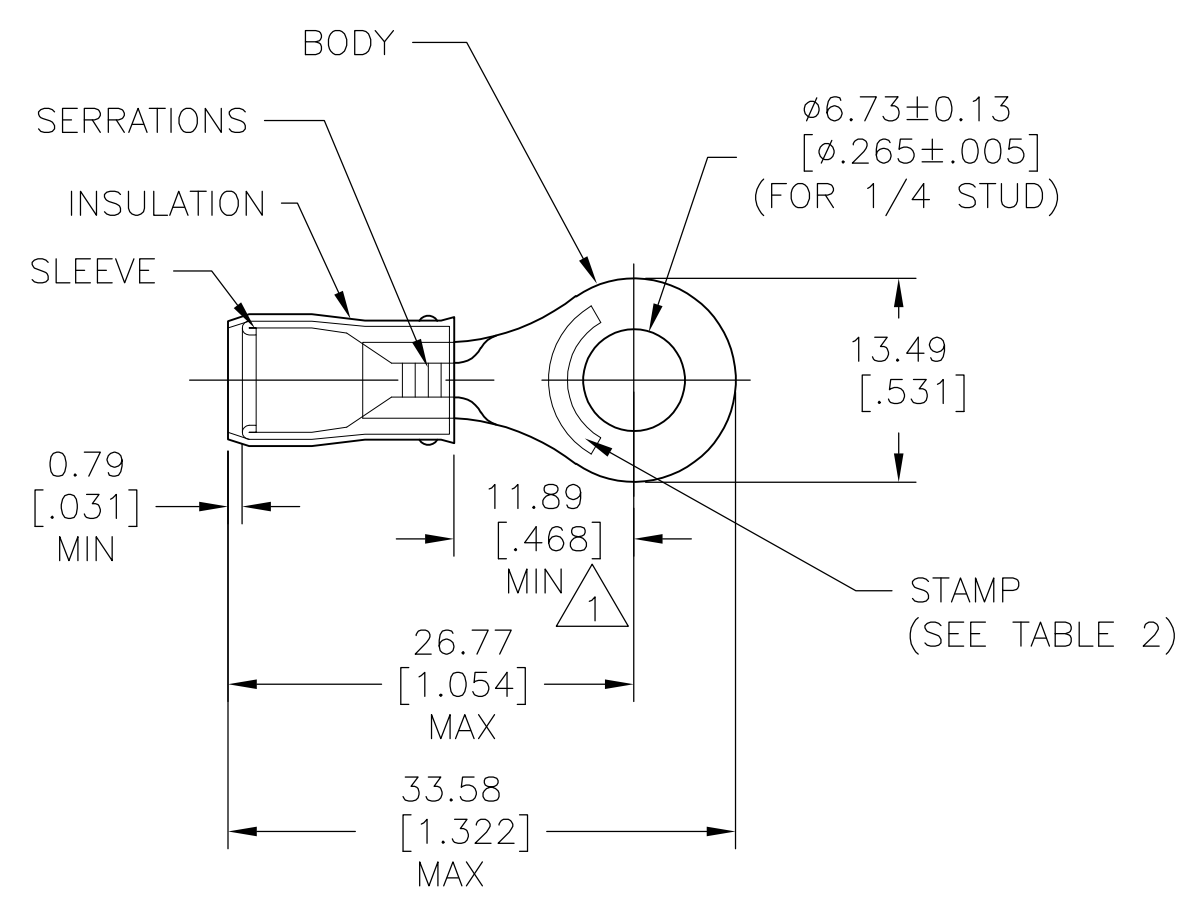


THIS DRAWING IS UNPUBLISHED. RELEASED FOR PUBLICATION
 © COPYRIGHT - By - ALL RIGHTS RESERVED.

LOC	DIST	REVISIONS					
		P	LTR	DESCRIPTION	DATE	DWN	APVD
G	02		T2	REVISED PER ECO-11-004587	11MAR11	RK	HMR



STYLE "A" - STANDARD

- 1 DIMENSION APPLIES FROM EDGE OF METAL WIRE BARREL TO CENTER OF STUD.
- 2 TONGUE MATERIAL THK 1.02 ± .05 [.040 ± .002]
- 3 105°C MAX OPERATING TEMPERATURE
- 4 300 VOLT MAX.
- 5 CIRCULAR MIN AREA: 2.62-6.64 mm² [5180-13100] SOLID OR STRANDED
- 6 UL LISTED E13288 12-10 AWG SOLID OR STRANDED
- 7 CSA CERTIFIED LR7189 12-10 AWG SOLID OR STRANDED
- 8 MILITARY MS25036-157 CLASS 1
- 9 MILITARY MS25036-157 CLASS 2

QTY	MATERIAL & FINISH	PACKAGING	PART NO.
50	BODY & SLEEVE: COPPER PER ASTM B-152 TIN PLATE PER ASTM B-545	LOOSE PC, BOX	8-320569-2
500	INSULATION: NYLON PER ASTM D-4066, TYPE 1, COLOR: YELLOW	LOOSE PIECE	320569

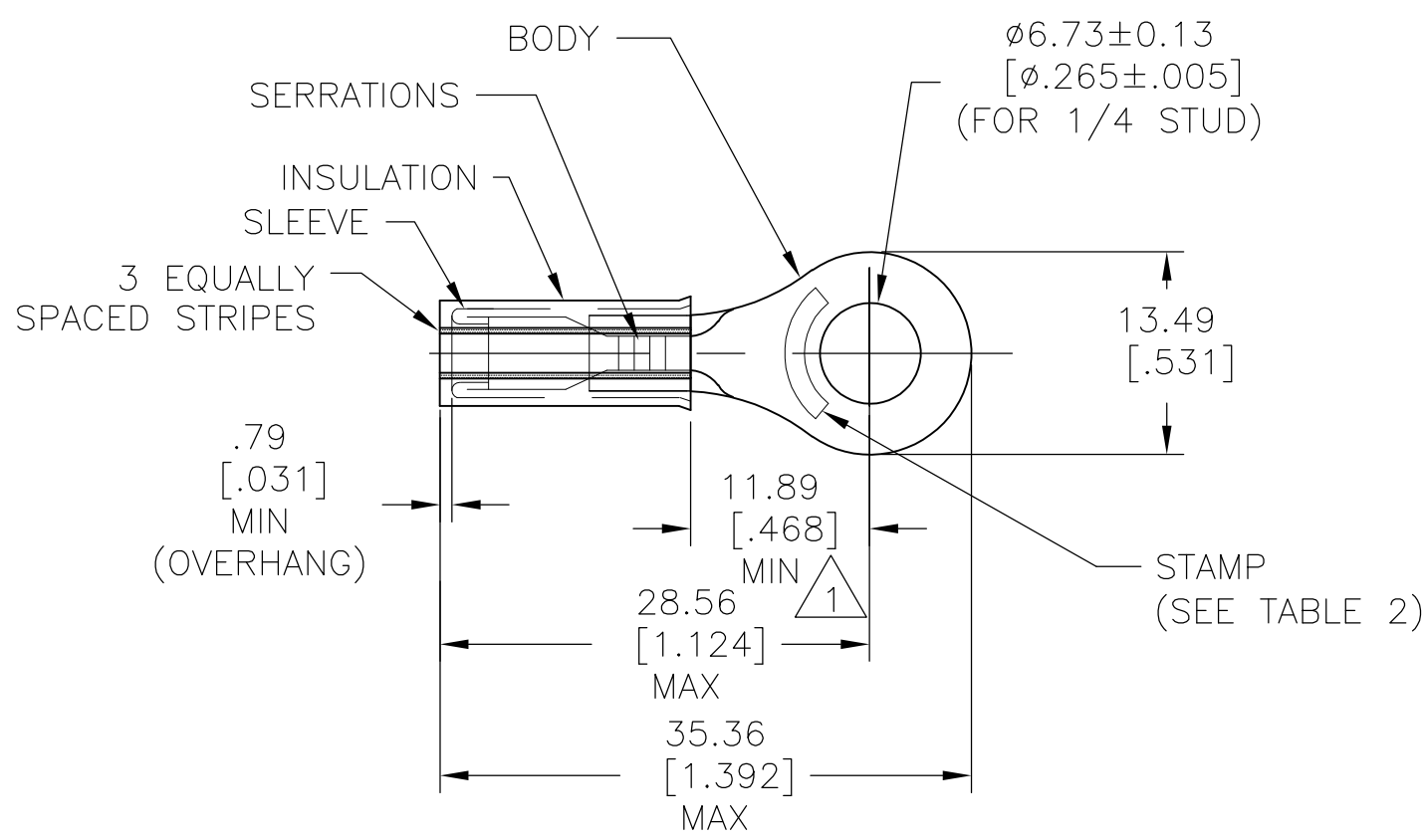
PART NO.	COLOR STRIPE	WIRE SIZE	FOR WIRE INSULATION OD	STAMP	STYLE	PART NO. ON TAPE
8-320569-2	NONE	12-10	3.81-5.84 [.150-.230]	AMP 12-10*	"A"	-
8 320569 9	NONE	12-10	3.81-5.84 [.150-.230]	AMP 12-10*	"A"	2-320569-3 9

THIS DRAWING IS A CONTROLLED DOCUMENT.	
DIMENSIONS: mm [INCHES]	TOLERANCES UNLESS OTHERWISE SPECIFIED:
	0 PLC ± -
	1 PLC ± 0.2 [.008]
	2 PLC ± -
	3 PLC ± -
	4 PLC ± -
MATERIAL SEE TABLE 1	ANGLES ± 0°30'
	FINISH -

DWN RAGHAVENDRA 08SEP2008	TE Connectivity			
CHK T MICHIELUTTI 08SEP2008				
APVD T MICHIELUTTI 08SEP2008	NAME			
PRODUCT SPEC -	TERMINAL RING TONGUE, NYLON, PIDG, WIRE SIZE: 12-10			
APPLICATION SPEC -	SIZE A3	CAGE CODE 00779	DRAWING NO G-320569	RESTRICTED TO -
WEIGHT -	CUSTOMER DRAWING			SCALE 2:1
	SHEET 1 OF 2		REV T2	

THIS DRAWING IS UNPUBLISHED. RELEASED FOR PUBLICATION
 © COPYRIGHT - By - ALL RIGHTS RESERVED.

LOC	DIST	REVISIONS				
P	LTR	DESCRIPTION	DATE	DWN	APVD	
G	02	-	SEE SHEET 1	-	-	



- 1 DIMENSION APPLIES FROM EDGE OF METAL WIRE BARREL TO CENTER OF STUD.
- 2 TONGUE MATERIAL THK 1.02±.05 [.040±.002]
- 3 105°C MAX OPERATING TEMPERATURE
- 4 300 VOLT MAX.
- 5 CIRCULAR MIN AREA: 2.62–6.64 mm² [5180–13100] SOLID OR STRANDED
- 6 MILITARY M7928/1–59 CLASS 1
- 7 MILITARY M7928/1–66 CLASS 1
- 8 MILITARY M7928/1–59 CLASS 2
- 9 MILITARY M7928/1–66 CLASS 2

STYLE "B" – INSULATION RESTRICTING

TABLE 1			
QTY	MATERIAL & FINISH	PACKAGING	PART NO.
500	BODY: COPPER PER ASTM B-152 TIN PLATE PER ASTM B-545 SLEEVE: COPPER PER ASTM B-152 NICKEL PLATE PER QQ-N-290 INSULATION: NYLON PER ASTM D-4066, TYPE 1 COLOR: YELLOW	LOOSE PIECE	2-320569-6 2-320569-5

TABLE 2						
PART NO.	COLOR STRIPE	WIRE SIZE	FOR WIRE INSULATION OD	STAMP	STYLE	PART NO. ON TAPE
2-320569-6	BROWN	10	3.02–5.08 [.119–.200]	AMP 10*	"B"	2-320569-8
2-320569-5	YELLOW	12	2.41–5.08 [.095–.200]	AMP 12*		2-320569-7

THIS DRAWING IS A CONTROLLED DOCUMENT.

DIMENSIONS: mm [INCHES]	TOLERANCES UNLESS OTHERWISE SPECIFIED:
	0 PLC ± -
	1 PLC ± 0.2 [.008]
	2 PLC ± -
	3 PLC ± -
	4 PLC ± -
	ANGLES ± 0°30'
MATERIAL SEE TABLE 1	FINISH -

DWN RAGHAVENDRA 08SEP2008	TE Connectivity
CHK T MICHIELUTTI 08SEP2008	
APVD T MICHIELUTTI 08SEP2008	
PRODUCT SPEC -	
APPLICATION SPEC -	NAME TERMINAL RING TONGUE, NYLON, PIDG, WIRE SIZE: 12-10
WEIGHT -	SIZE A3
CUSTOMER DRAWING	CAGE CODE 00779
	DRAWING NO G-320569
	RESTRICTED TO -
	SCALE 2:1
	SHEET 2 OF 2
	REV T2