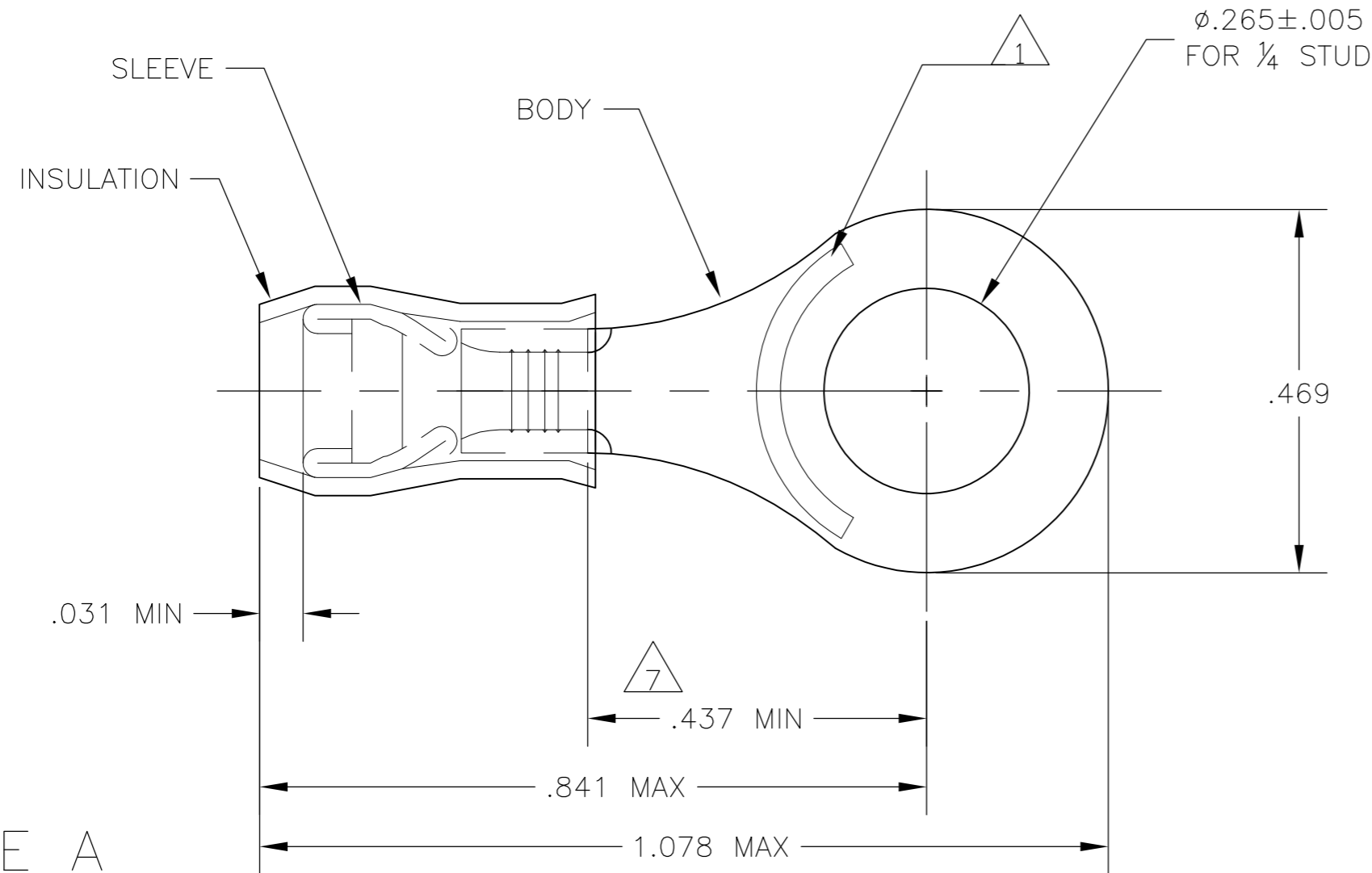
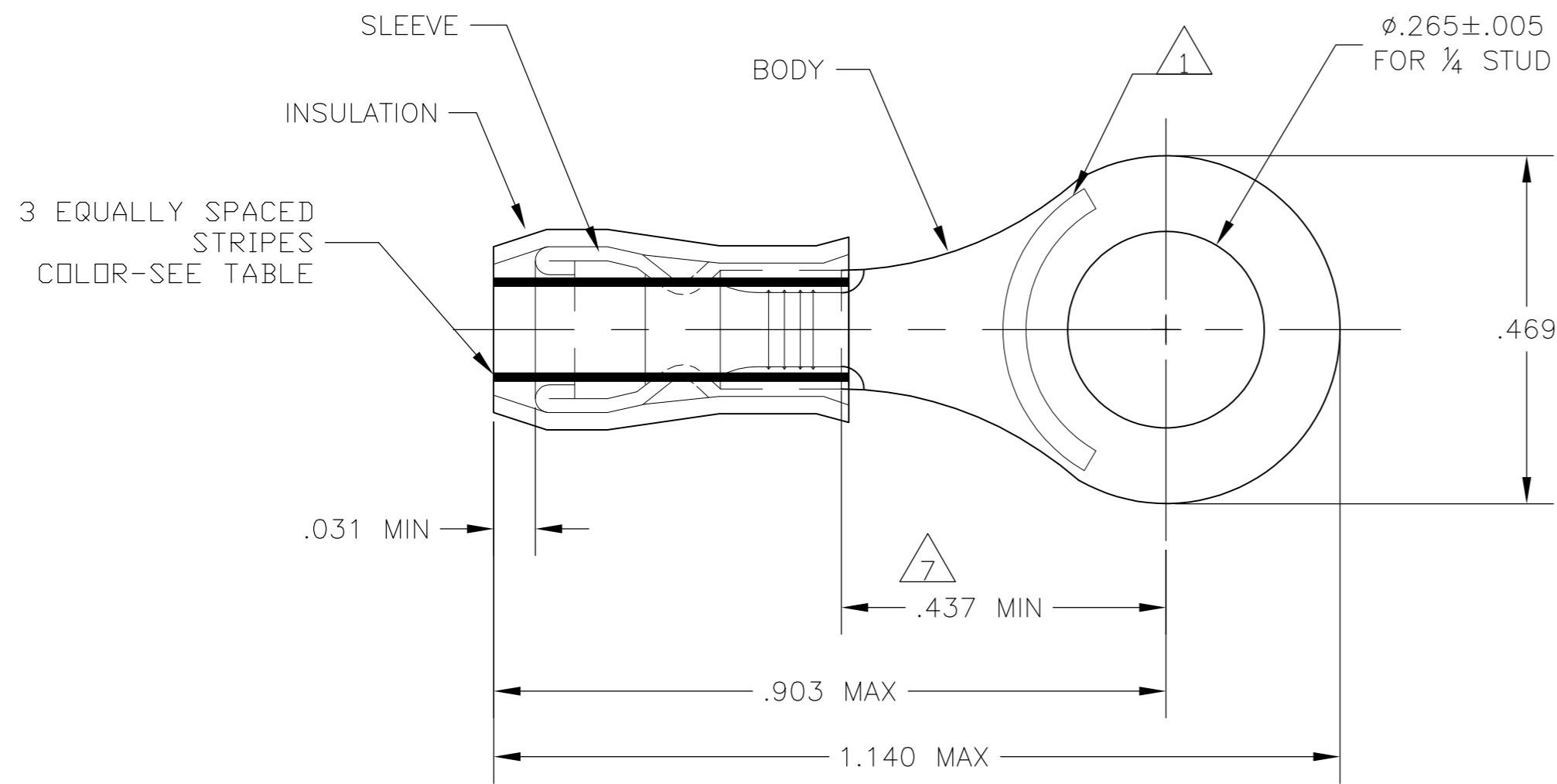


THIS DRAWING IS UNPUBLISHED. RELEASED FOR PUBLICATION  
 © COPYRIGHT - By - ALL RIGHTS RESERVED.

LOC	DIST	REVISIONS					
G	14	P	LTR	DESCRIPTION	DATE	DWN	APVD
		N3		REVISED PER ECO-11-004820	11MAR11	RK	HMR



STYLE A



STYLE B  
INSULATION RESTRICTING

<b>AMP</b> WIRE RANGE	<b>UL</b> E13288 Listed	<b>LR7189</b> Certified
16-14 AWG SOLID OR STRANDED	16-14 AWG SOLID OR STRANDED	16-14 AWG SOLID OR STRANDED

- 1 STAMP "AMP - SEE TABLE" APPROX AS SHOWN
- 2 WIRE INSULATION DIA: SEE TABLE
- 3 TONGUE MATERIAL THK: .031±.002
- 4 BODY: TIN PLATE .000100 MIN EXT THK PER ASTM B545
- 5 SLEEVE: TIN PLATE .000100 MIN EXT THK PER ASTM B545
- 6 BODY & SLEEVE- CU PER ASTM B152  
INSULATION - NYLON PER ASTM D4066  
COLOR - BLUE
- 7 APPLIES FROM EDGE OF METAL WIRE BARREL TO CENTER OF STUD HOLE.
- 8 MEETS MS25036-154, CLASS 1 & 2
- 9 MEETS MS25036-154, CLASS 2
- 10 MEETS M7928/1-43, CLASS 1 & 2
- 11 MEETS M7928/1-52, CLASS 1 & 2

OBSOLETE  
OBSOLETE

100	LOOSE PIECE, BOX	16-14	.105-.150	16-14	--	A			8-320563-1
500	320563-4 ON TAPE	14	.078-.130	14	GREEN	B			<del>2-320563-6</del>
500	320563-3 ON TAPE	16	.063-.130	16	BLUE	B			<del>2-320563-5</del>
500	LOOSE PIECE	14	.078-.130	14	GREEN	B	4	5	11 2-320563-4
500	LOOSE PIECE	16	.063-.130	16	BLUE	B			10 2-320563-3
500	320563 ON TAPE	16-14	.105-.150	16-14	--	A			9 2-320563-2
500	LOOSE PIECE	16-14	.105-.150	16-14	--	A			8 320563
QTY	PACKAGE TYPE	STAMPING	WIRE INSUL DIA	WIRE SIZE	STRIPE COLOR	STYLE	BODY FINISH	SLEEVE FINISH	PART NO

<b>CUSTOMER SERVICE SYSTEMS</b>		MAX RECOMMENDED OPERATING TEMPERATURE: 105°C MAX	THIS DRAWING IS A CONTROLLED DOCUMENT.		DWN JR RUTH 13JAN10	<b>TE</b> TE Connectivity		
FOR ADDITIONAL PRODUCT INFORMATION OR COPIES OF DRAWINGS AND TECHNICAL DOCUMENTS	PRODUCT INFORMATION CENTER 1-800-522-6752	VOLTAGE RATING: 300 VOLT MAX	DIMENSIONS: INCHES	TOLERANCES UNLESS OTHERWISE SPECIFIED: 0 PLC ± - 1 PLC ± - 2 PLC ± - 3 PLC ± .008 4 PLC ± -	CHK T MICHIELUTTI 13JAN10	NAME TERMINAL, RING TONGUE, PIDG WIRE SIZE: 16-14 AWG		
FOR APPLICATION TOOLING INFORMATION	TOOLING ASSISTANCE CENTER 1-800-722-1111	CIRCULAR MIL AREA: 1.02-2.62mm² [2,050-5,180] STRANDED OR SOLID		FINISH	APVD T MICHIELUTTI 13JAN10	SIZE A2	CAGE CODE 00779	
FOR ORDER ENTRY	1-800-526-5142	THIS DRAWING IS A CONTROLLED DOCUMENT FOR AMP INCORPORATED. IT IS SUBJECT TO CHANGE AND THE CONTROLLING ENGINEERING ORGANIZATION SHOULD BE CONTACTED FOR THE LATEST REVISION.		MATERIAL - 6	PRODUCT SPEC -	DRAWING NO C=320563	RESTRICTED TO -	
					WEIGHT -	SCALE 5:1	SHEET 1 of 1	REV N3
					CUSTOMER DRAWING			