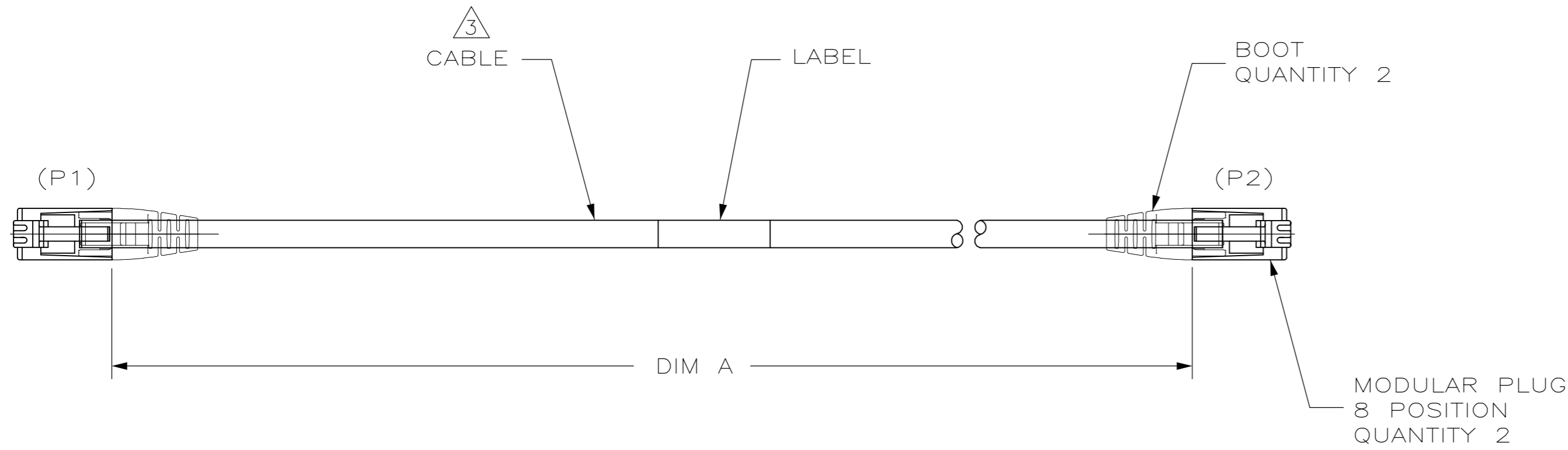
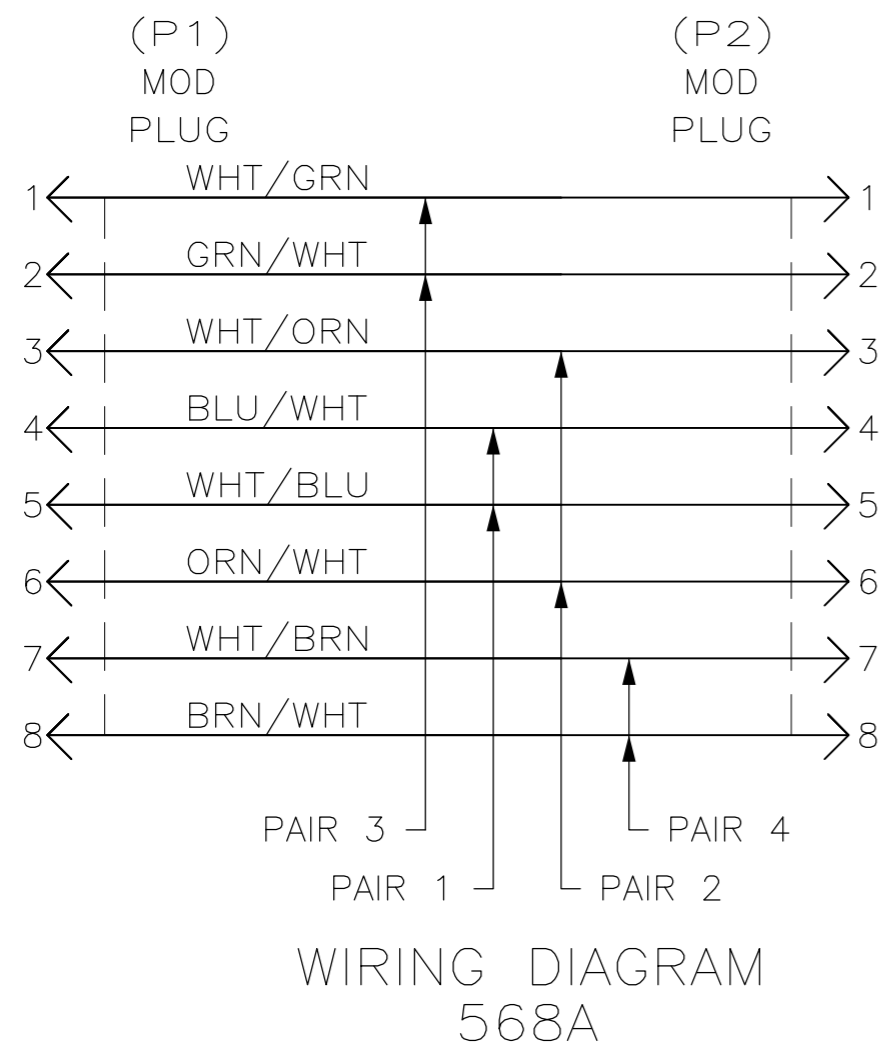


THIS DRAWING IS UNPUBLISHED. RELEASED FOR PUBLICATION  
 © COPYRIGHT - By - ALL RIGHTS RESERVED.

LOC	DIST	REVISIONS					
		P	LTR	DESCRIPTION	DATE	DWN	APVD
EH	00	E2		REVISED PER ECO-12-007616	08MAY2012	GG	JG



- ONE CABLE PACKAGED IN A CLEAR POLYBAG.
- DIMENSIONS ARE MAXIMUM UNLESS OTHERWISE SPECIFIED.
- CABLE: UNSHIELDED 24 AWG, 4 TWISTED PAIRS, 7/32 STRANDED CONDUCTORS, 100 OHMS.
- DESIGNATIONS IN PARENTHESES ( ) ARE FOR REFERENCE ONLY.
- AN ALTERNATE FORM OF CONNECTOR COMPONENTS RESULTING IN EQUIVALENT PERFORMANCE IS ACCEPTABLE.



30.48	100	30632.4 (1206.00)	9-219241-9
0.15	0.5	203.2 (8.00)	9-219241-8
27.74	91	27889.2 (1098.00)	9-219241-1
18.29	60	18440.4 (726.00)	6-219241-0
15.24	50	15392.4 (606.00)	5-219241-0
12.20	40	12344.4 (486.00)	4-219241-0
9.15	30	9296.4 (366.00)	3-219241-0
7.62	25	7721.6 (304.00)	2-219241-5
6.10	20	6197.6 (244.00)	2-219241-0
4.88	16	4978.4 (196.00)	1-219241-6
4.57	15	4724.4 (184.00)	1-219241-5
4.27	14	4368.8 (172.00)	1-219241-4
3.66	12	3759.2 (148.00)	1-219241-2
3.05	10	3149.6 (124.00)	1-219241-0
2.74	9	2794.0 (110.00)	219241-9
2.44	8	2489.2 (98.00)	219241-8
2.14	7	2184.4 (86.00)	219241-7
1.83	6	1879.6 (74.00)	219241-6
1.53	5	1574.8 (62.00)	219241-5
1.22	4	1270.0 (50.00)	219241-4
0.92	3	965.2 (38.00)	219241-3
0.61	2	660.4 (26.00)	219241-2
0.30	1	355.6 (14.00)	219241-1
METERS, REF	FEET, REF	DIM A	PART NO

THIS DRAWING IS A CONTROLLED DOCUMENT.

DIMENSIONS: mm [INCHES]	TOLERANCES UNLESS OTHERWISE SPECIFIED:	DWN M. BOLES 25JUL97	
0 PLC ± -	1 PLC ± -	CHK B. ANTHONY 25JUL01	
	2 PLC ± -	APVD B. ANTHONY 25JUL97	NAME
	3 PLC ± -	PRODUCT SPEC	CABLE ASSEMBLY, MOD PLUG, 8 POSITION
MATERIAL	4 PLC ± -	APPLICATION SPEC	GRAY, ENHANCED CATEGORY 5
	ANGLES ± -	108-1163	SIZE
FINISH		114-6053	CAGE CODE
		WEIGHT	DRAWING NO
		CUSTOMER DRAWING	RESTRICTED TO
			SCALE
			SHEET
			REV