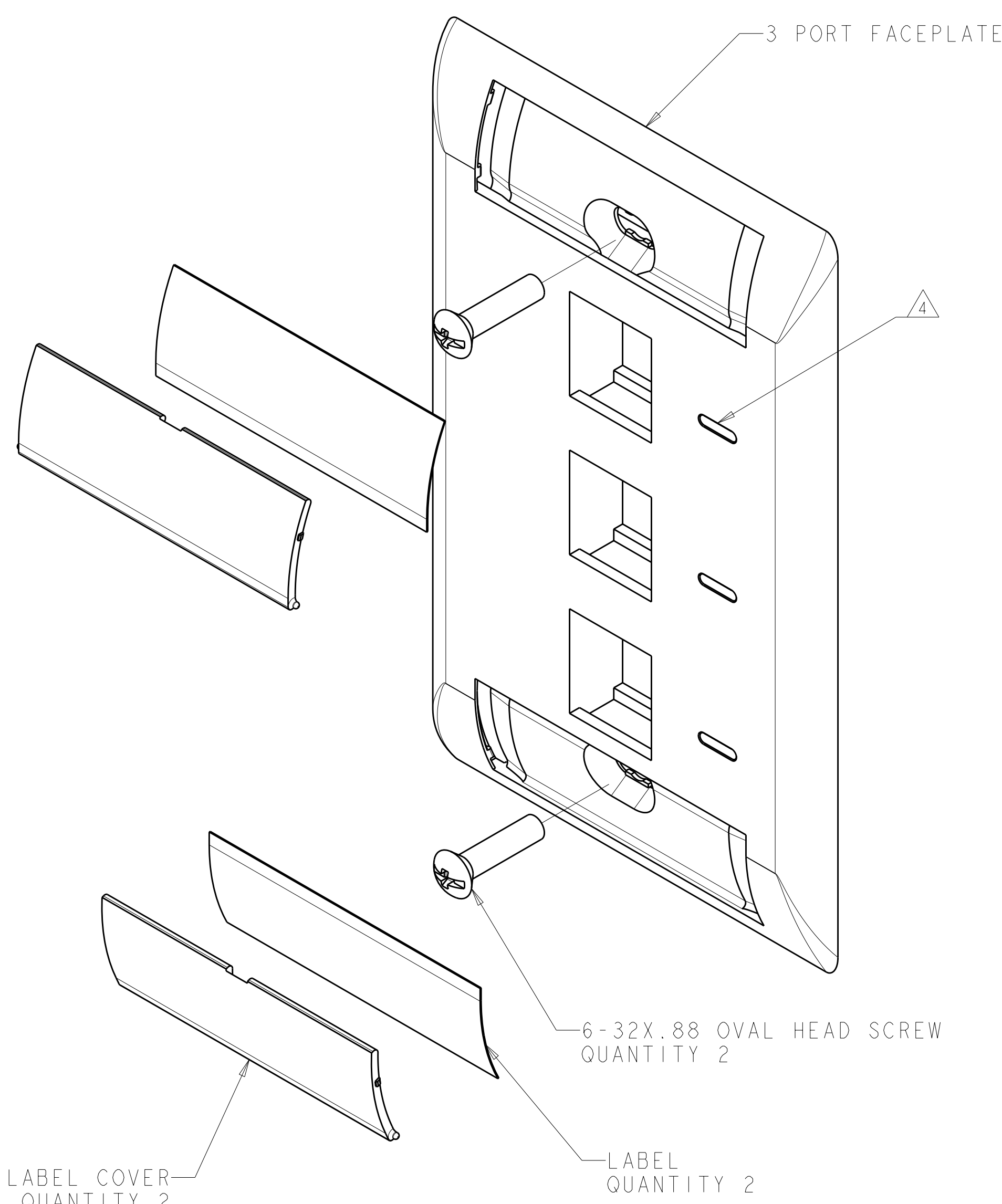
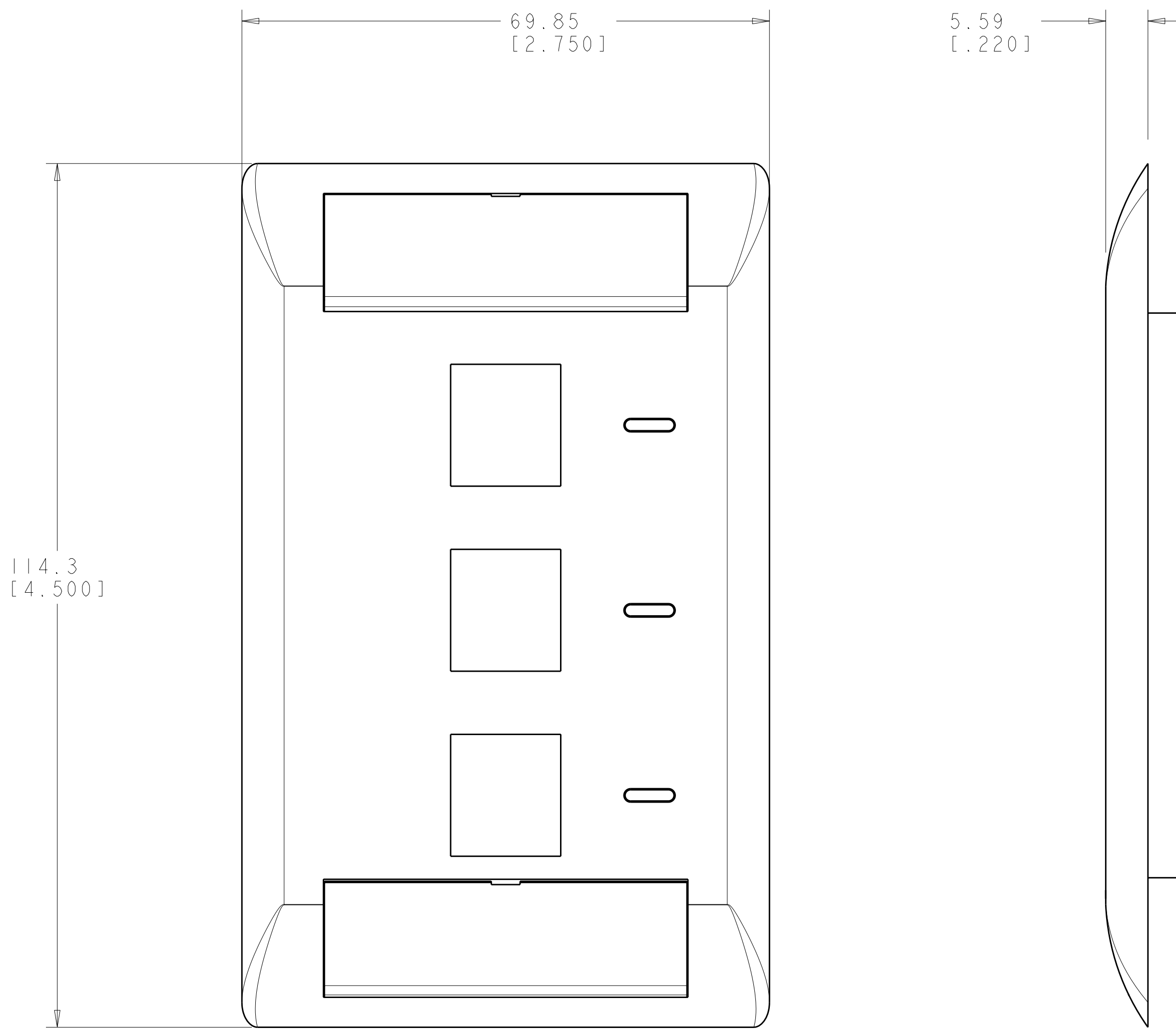


LOC	DIST	REVISIONS			
REV	DATE	DESCRIPTION	DATE	DWN	APVD
A	09FEB2010	RLSD; ECO-10-002954		GG	RA



- △ DIMENSIONS ARE NOMINAL UNLESS OTHERWISE SPECIFIED.
- △ MATERIAL:
FACEPLATE - POLYCARBONATE MOLDING COMPOUND. SEE TABLE FOR COLORS.
SCREWS - ZINC PLATED CARBON STEEL.
LABEL COVER - POLYCARBONATE MOLDING COMPOUND, CLEAR.
LABEL - WHITE INDEX PAPER.
- 3. THIS KIT SHIPPED NOT ASSEMBLED.
- △ MOLD OVER ICON FEATURE.



COLOR	PART NUMBER
ALPINE WHITE	1-2111010-3
ELECTRIC IVORY	1-2111010-1
NEMA GRAY	2111010-4
WHITE	2111010-3
BLACK	2111010-2
LIGHT ALMOND	2111010-1

DIMENSIONS: MM [INCHES] TOLERANCES UNLESS OTHERWISE SPECIFIED: 0 PLC ± .1 1 PLC ± .1 2 PLC ± .1 3 PLC ± .1 4 PLC ± .1 ANGLES ± .5 FINISH -		DWN: S. GARRETT 31MAR2009 CHK: R. ASHRY 31MAR2009 APVD: R. ASHRY 31MAR2009 PRODUCT SPEC APPLICATION SPEC WEIGHT CUSTOMER DRAWING	Tyco Electronics Harrisburg, PA 17105-3608 NAME: KIT, FACEPLATE, COMMERCIAL, SINGLE GANG, 3 PORT SIZE: A 00779 C=2111010 SCALE: 2:1 SHEET 1 OF 1 REV A
--	--	--	--