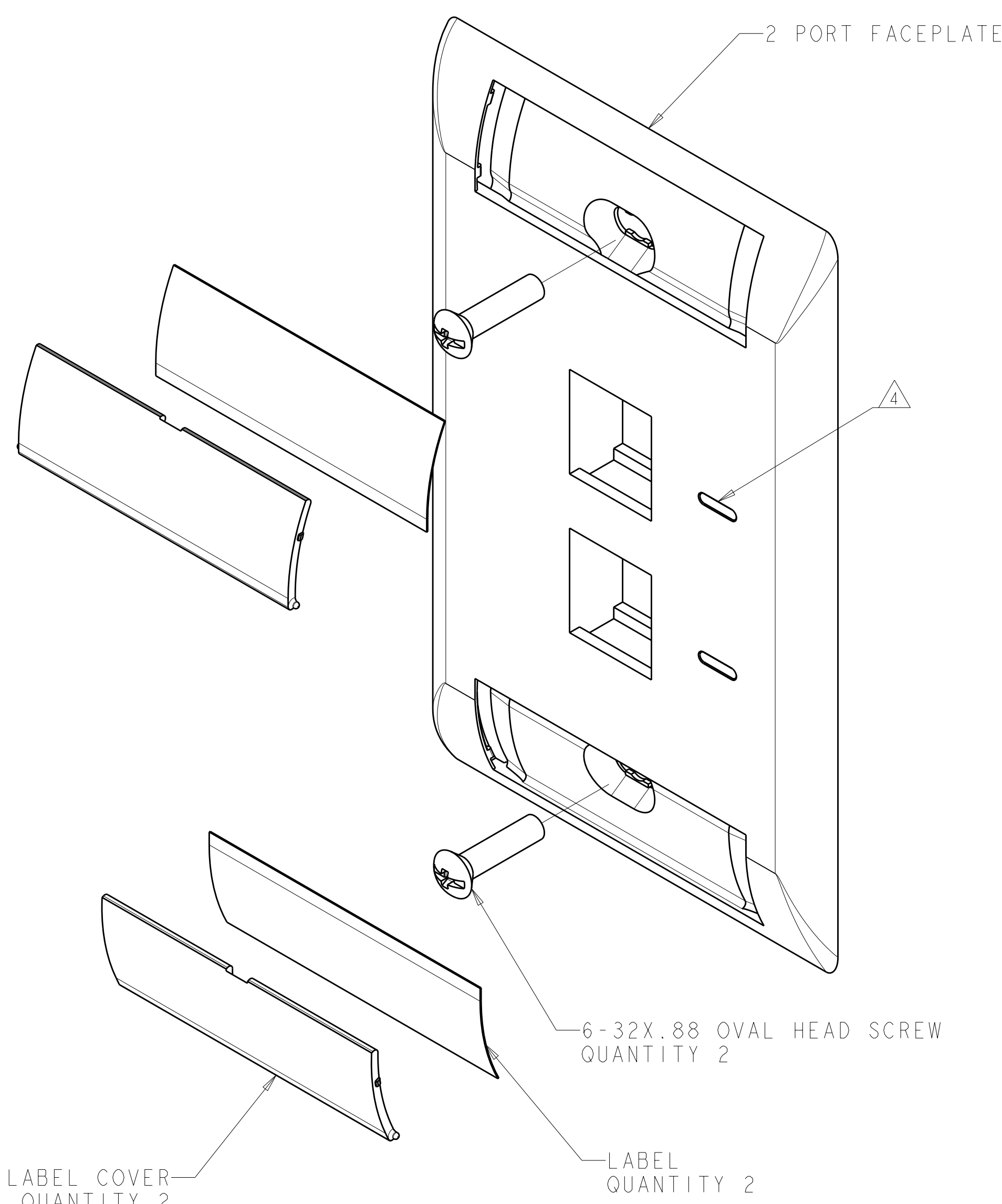
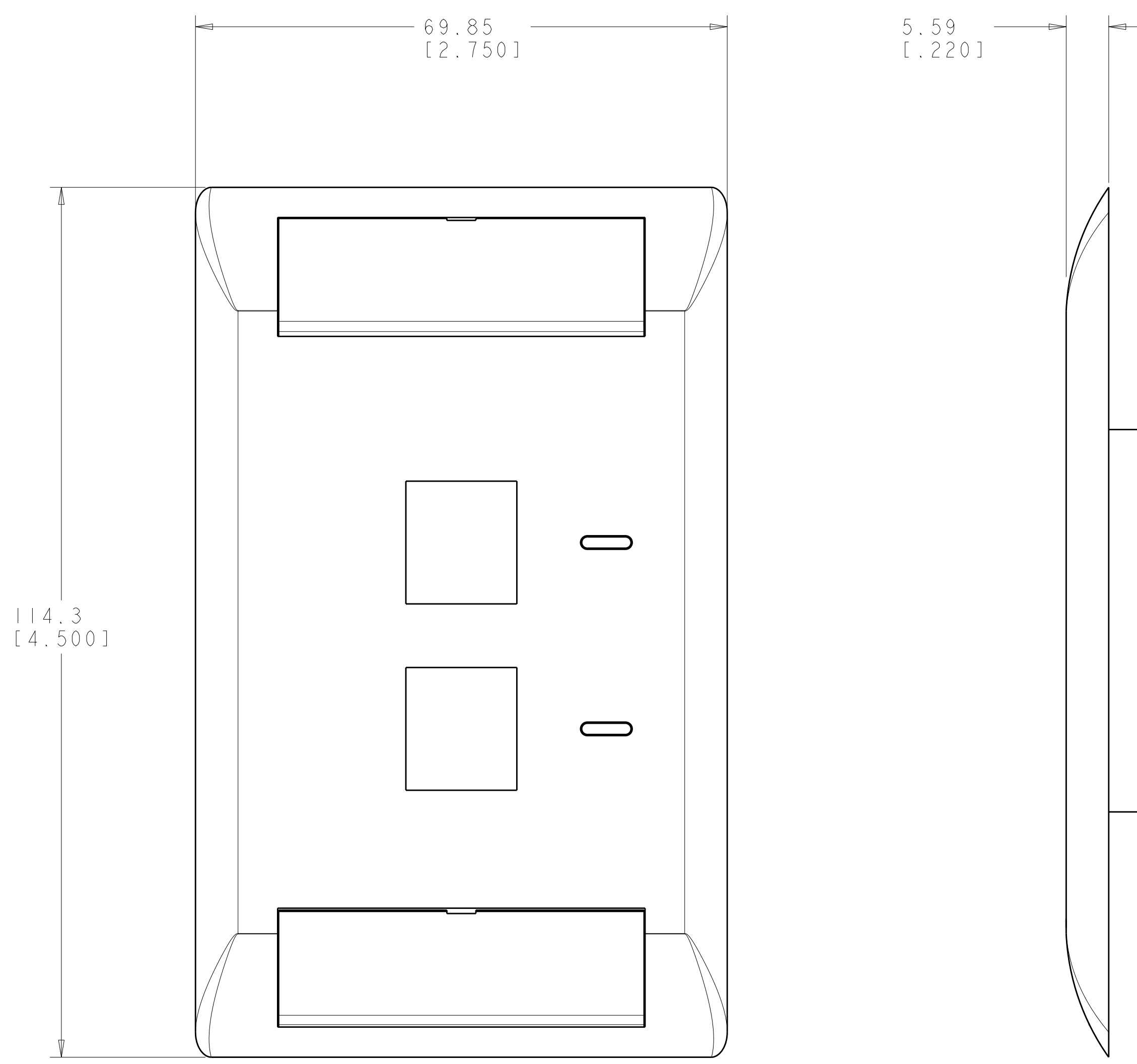


LOC	DIST	REVISIONS			
REV	LTG	DESCRIPTION	DATE	DWN	APVD
A		RLSD; ECO-10-002954	09FEB2010	GG	RA



- △ DIMENSIONS ARE NOMINAL UNLESS OTHERWISE SPECIFIED.
- △ MATERIAL:
 FACEPLATE - POLYCARBONATE MOLDING COMPOUND.
 SEE TABLE FOR COLORS.
 SCREWS - ZINC PLATED CARBON STEEL.
 LABEL COVER - POLYCARBONATE MOLDING COMPOUND,
 CLEAR.
 LABEL - WHITE INDEX PAPER.
- 3. THIS KIT SHIPPED NOT ASSEMBLED.
- △ MOLD OVER ICON FEATURE.



ALPINE WHITE	1-2111009-3
ELECTRIC IVORY	1-2111009-1
NEMA GRAY	2111009-4
WHITE	2111009-3
BLACK	2111009-2
LIGHT ALMOND	2111009-1
COLOR	PART NUMBER

DIMENSIONS: [MM] [INCHES] TOLERANCES UNLESS OTHERWISE SPECIFIED: 0 PLC ± .1 1 PLC ± .1 2 PLC ± .1 3 PLC ± .1 4 PLC ± .1 ANGLES ± .1		DWN: S. GARRETT 31MAR2009 CHK: R. ASHBY 31MAR2009 APVD: P. ASHBY 31MAR2009	Tyco Electronics Harrisburg, PA 17105-3608
MATERIAL: △ FINISH: △		NAME: KIT, FACEPLATE, COMMERCIAL, SINGLE GANG, 2 PORT PRODUCT SPEC: - APPLICATION SPEC: - WEIGHT: - CUSTOMER DRAWING	SIZE: A 00779 C=2111009 RESTRICTED TO: - SCALE: 2:1 SHEET 1 OF 1 REV A