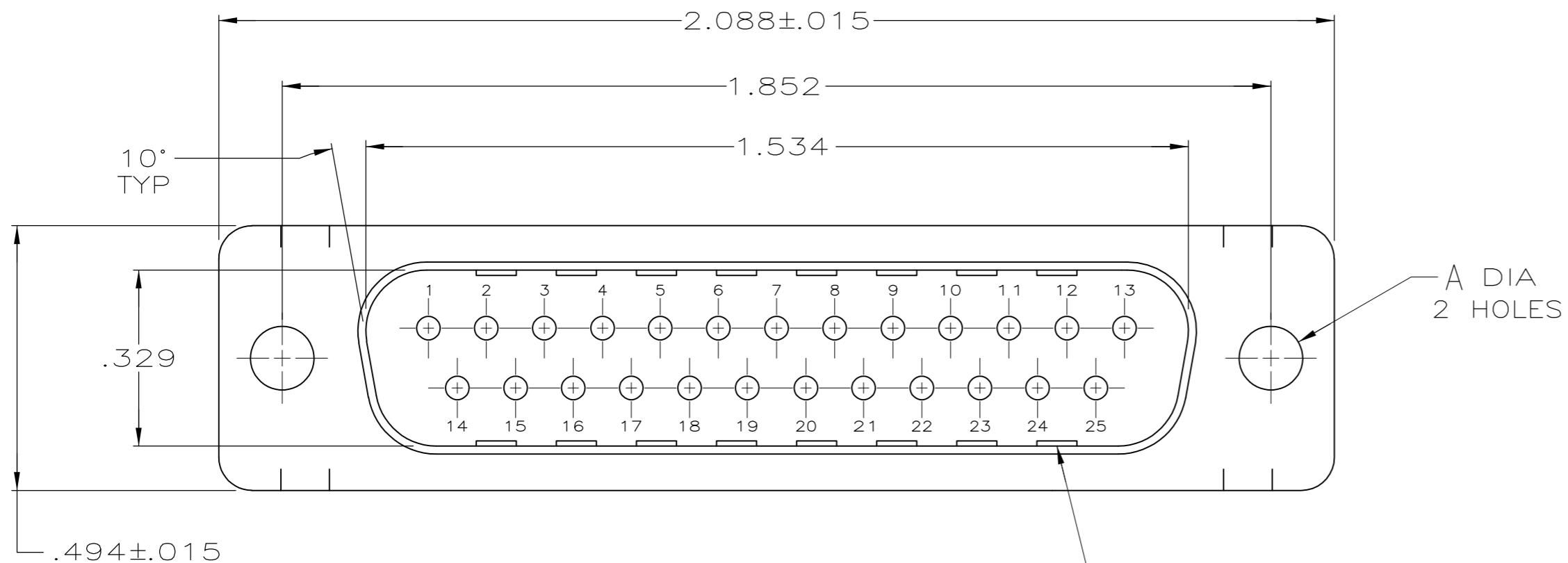


THIS DRAWING IS UNPUBLISHED. RELEASED FOR PUBLICATION
 © COPYRIGHT - By - ALL RIGHTS RESERVED.

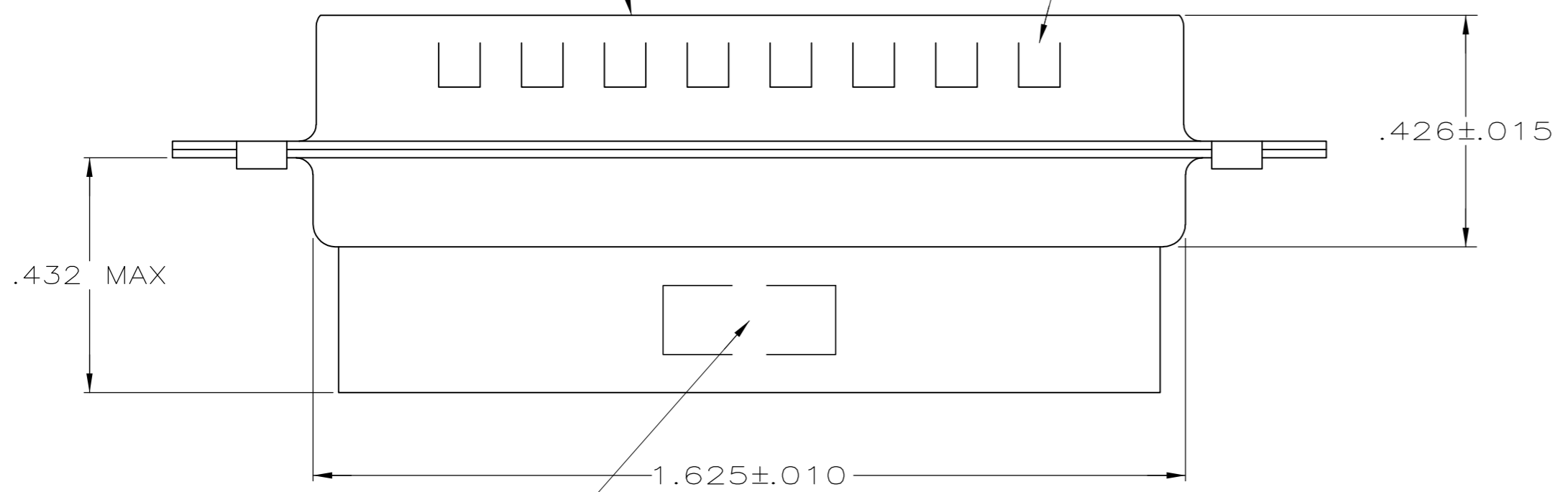
LOC		DIST		REVISIONS			
GP	00	P	LTR	DESCRIPTION	DATE	DWN	APVD
		H		REVISED PER ECO-11-002006	11APR2011	CJV	CWR



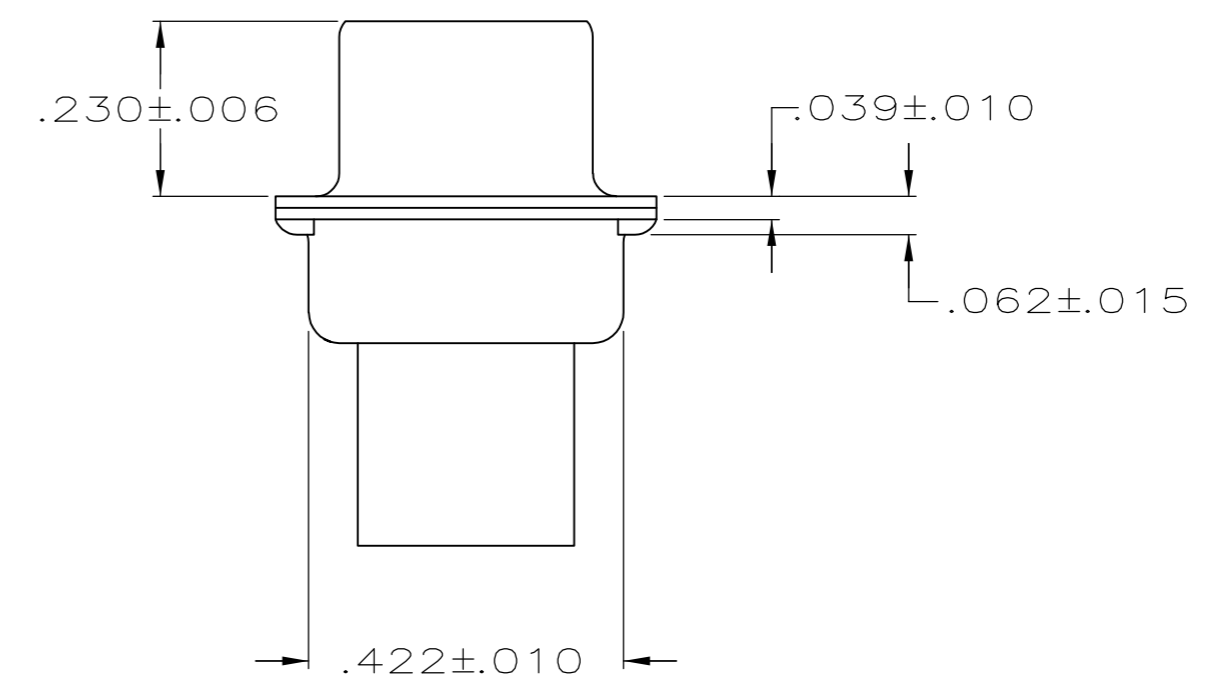
A DIA
2 HOLES

GROUNDING INDENTS
SEE TABLE

MATING FACE



"AMP", PART NO. & DATE CODE, MARKED
IN AREA INDICATED, ON FAR SIDE



- CONNECTOR ACCEPTS SIZE 20 DF PIN CONTACTS, RETENTION TINES ARE AN INTEGRAL PART OF INSERT.
- CONNECTOR COMPLIES WITH 108-40005 WHERE APPLICABLE.
- MOLDED PARTS: NYLON, FLAME RETARDANT, 94V-0 RATED, GLASS FILLED, BLACK.
- SHELLS: STEEL PER ASTM A109.
- TIN OR TIN-LEAD PLATED OVER COPPER UNDERPLATE.
- TIN PLATED OVER COPPER UNDERPLATE.

	STANDARD	6	NO	.120	207464-7
OBSOLETE	SMALL PACK	6	YES	.120	207464-6
SUPERSEDED BY 207464-2	STANDARD	5	YES	.154	207464-4
SUPERSEDED BY 207464-2	STANDARD	5	NO	.154	207464-3
	STANDARD	6	YES	.120	207464-2
SUPERSEDED BY 207464-7	STANDARD	5	NO	.120	207464-1
	PACKAGING TYPE	SHELL FINISH	GROUNDING INDENTS	A	PART NUMBER

THIS DRAWING IS A CONTROLLED DOCUMENT.

DWN S.WELDON 7-19-85	 TE Connectivity	SIZE	CAGE CODE	DRAWING NO	RESTRICTED TO
CHK J.GERACE 7-29-85		A2	00779	C=207464	-
APVD -		SCALE	SHEET	REV	
PRODUCT SPEC -		4:1	1 of 1	H	
APPLICATION SPEC -	CUSTOMER DRAWING				