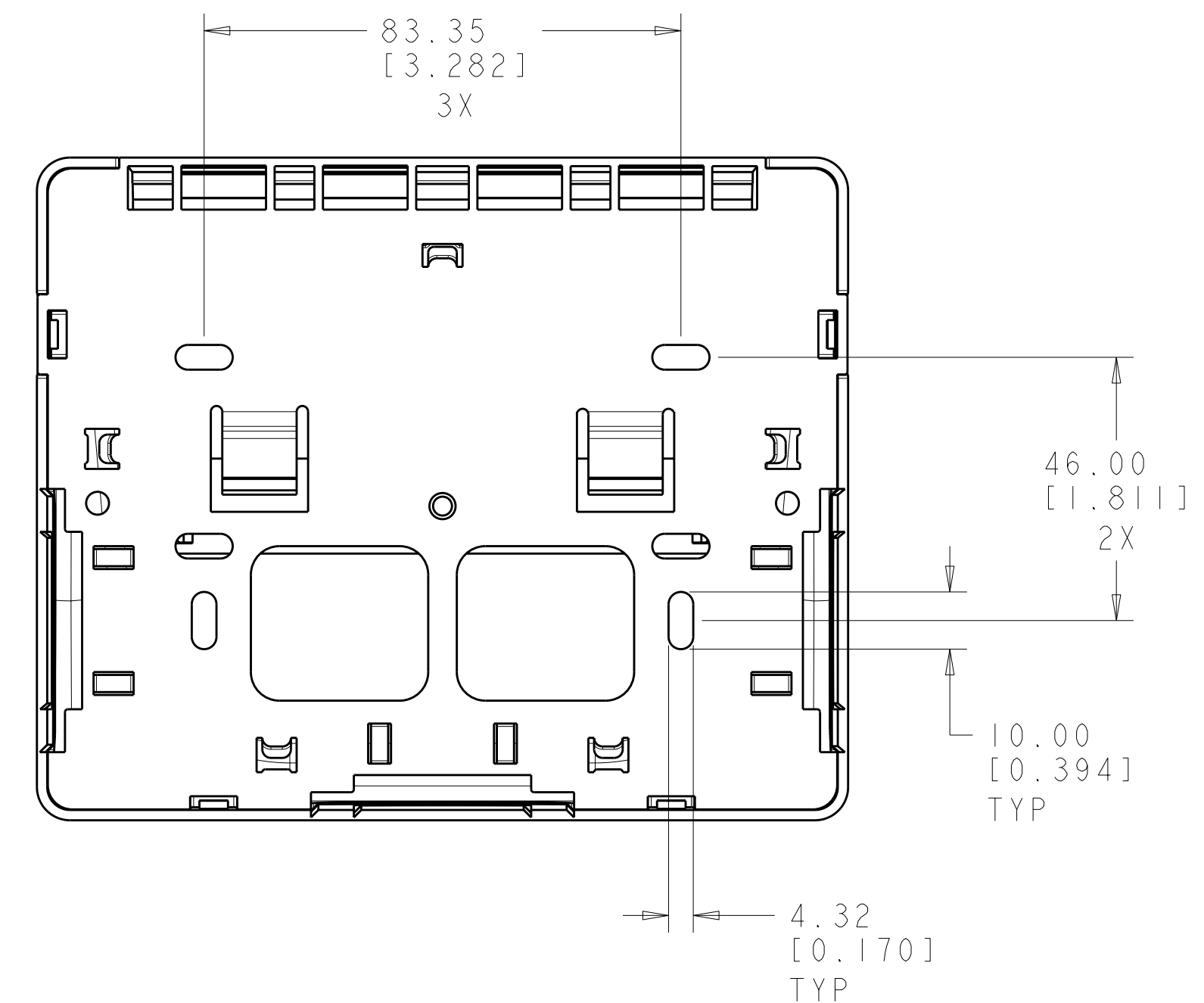
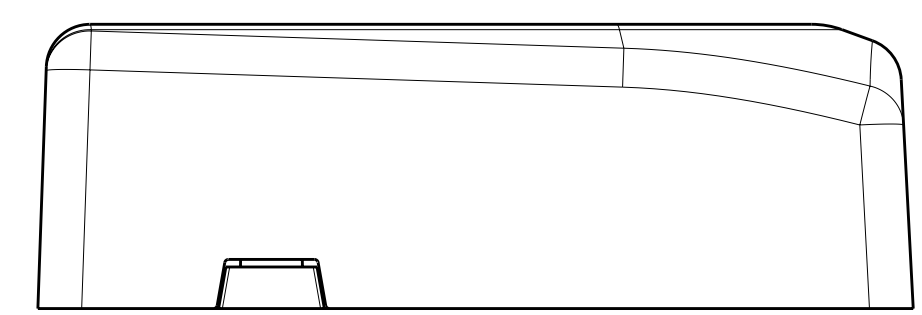
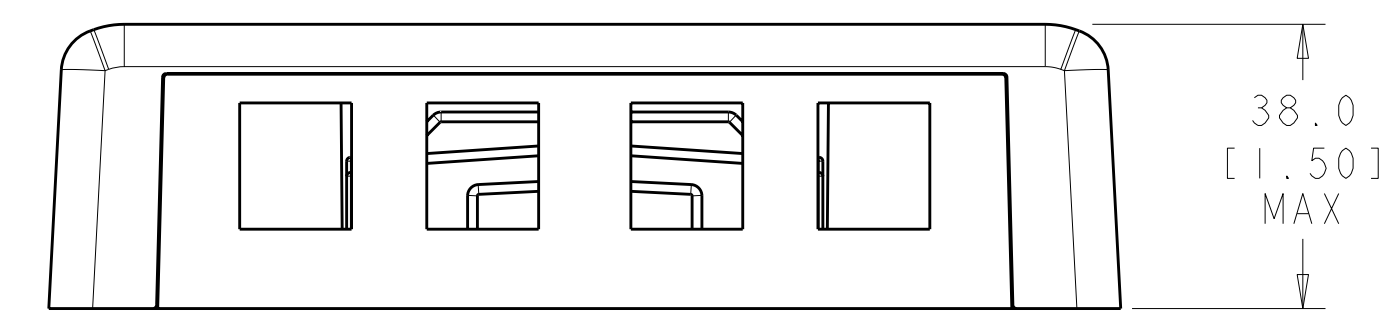
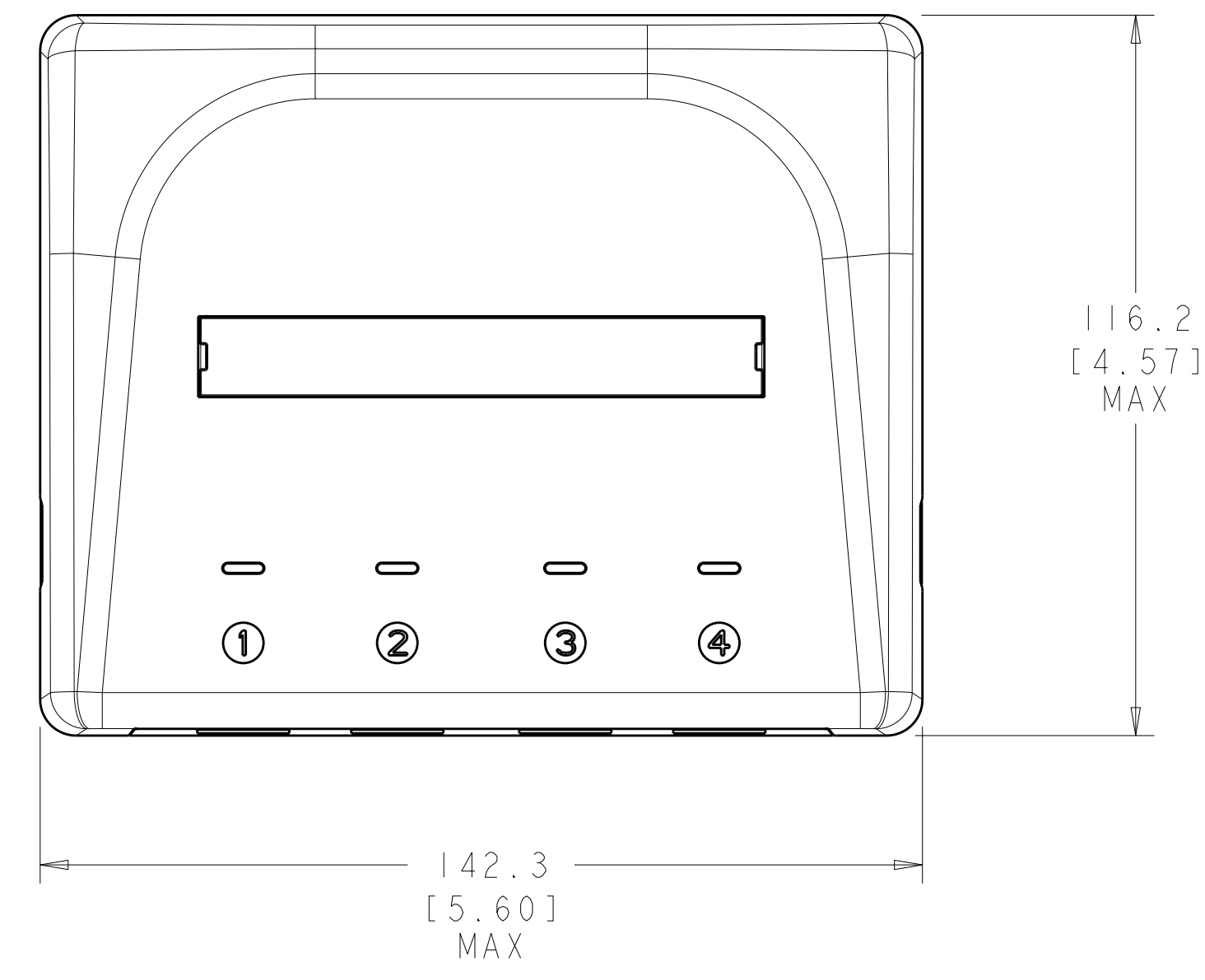
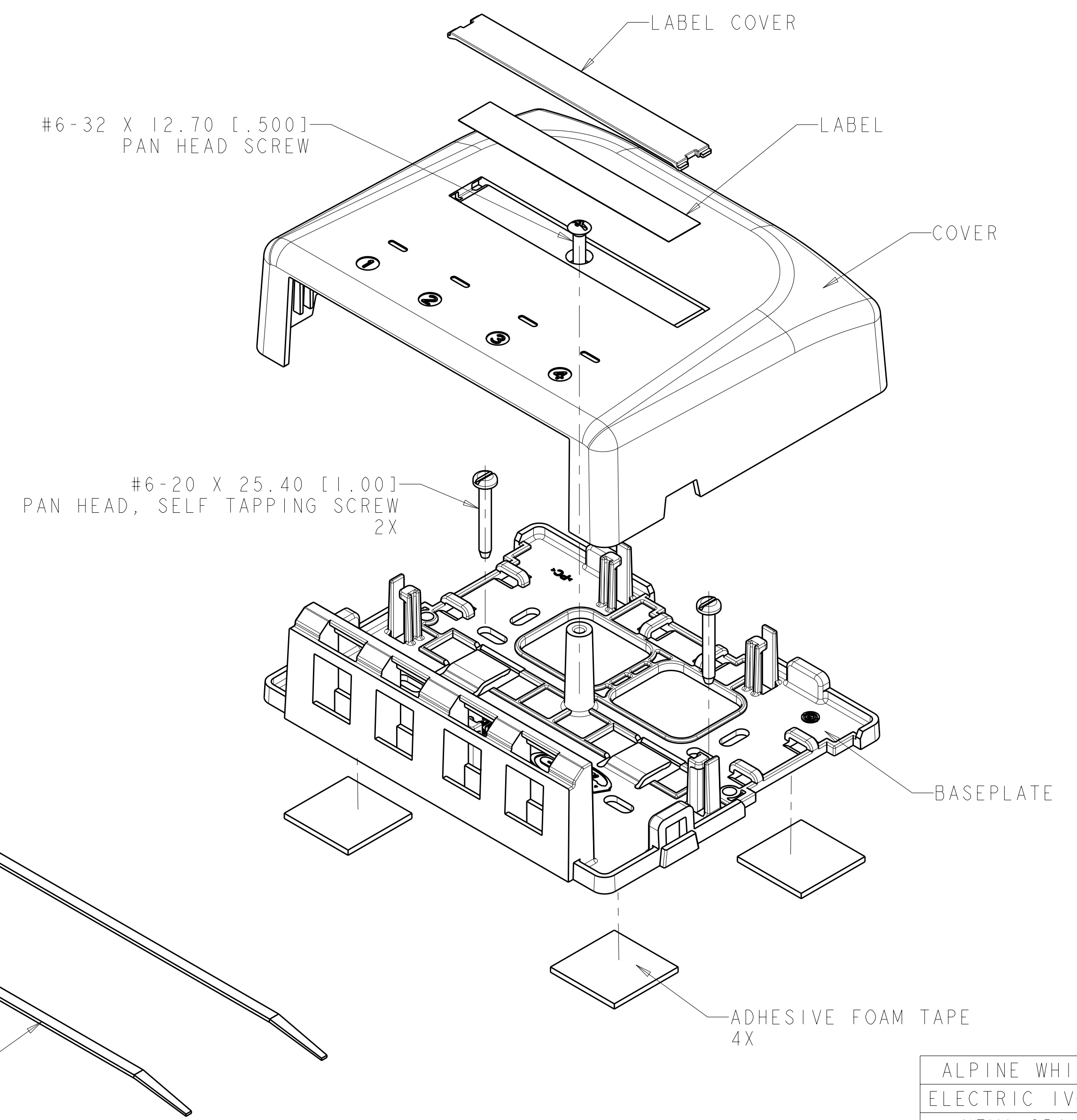


LOC	DIST	REV	DATE	BY	APPD
HM	00	A	16MAR2009	GG	RA
		B	10JUN2010	GG	RA



⚠ MATERIAL: BASE & COVER - POLYCARBONATE MOLDING COMPOUND. SEE TABLE FOR COLOR.  
 LABEL COVERS - POLYCARBONATE MOLDING COMPOUND.  
 LABEL - WHITE INDEX PAPER.  
 SCREWS - ZINC PLATED CARBON STEEL.  
 FOAM TAPE - POLYETHYLENE  
 CABLE TIE - NYLON 6/6

- THIS KIT SHIPPED NOT ASSEMBLED.
- ACCEPTS ANY COMBINATION OF 110 CONNECT, SL-SERIES, AND AMP-TWIST MODULAR JACKS, MT-RJ OUTLET JACKS AND SL SERIES MULTI MEDIA INSERTS.
- BASE ACCEPTS TWO MAGNETS FOR OPTIONAL MOUNTING TO METAL SURFACE. MAGNETS (1933677-1) PURCHASED SEPARATELY.



COLOR	PART NUMBER
ALPINE WHITE	1-1933671-3
ELECTRIC IVORY	1-1933671-1
NEMA GRAY	1933671-4
WHITE	1933671-3
BLACK	1933671-2
LIGHT ALMOND	1933671-1

DIMENSIONS: mm [ INCHES ]		TOLERANCES UNLESS OTHERWISE SPECIFIED: 9 PLC ±.25 5 PLC ±.25 4 PLC ±.25 ANGLES ±2°		DWN J MCNEAL 02JUN2008 CHK S TOBEY 02JUN2008 APPD S TOBEY 02JUN2008		Tyco Electronics Harrisburg, PA 17105-3608	
MATERIAL:		FINISH:		PRODUCT SPEC:		NAME: KIT, 4 PORT SURFACE MOUNT MODULE	
CUSTOMER DRAWING		SCALE: 1:2		SHEET 1 OF 1		REV B	