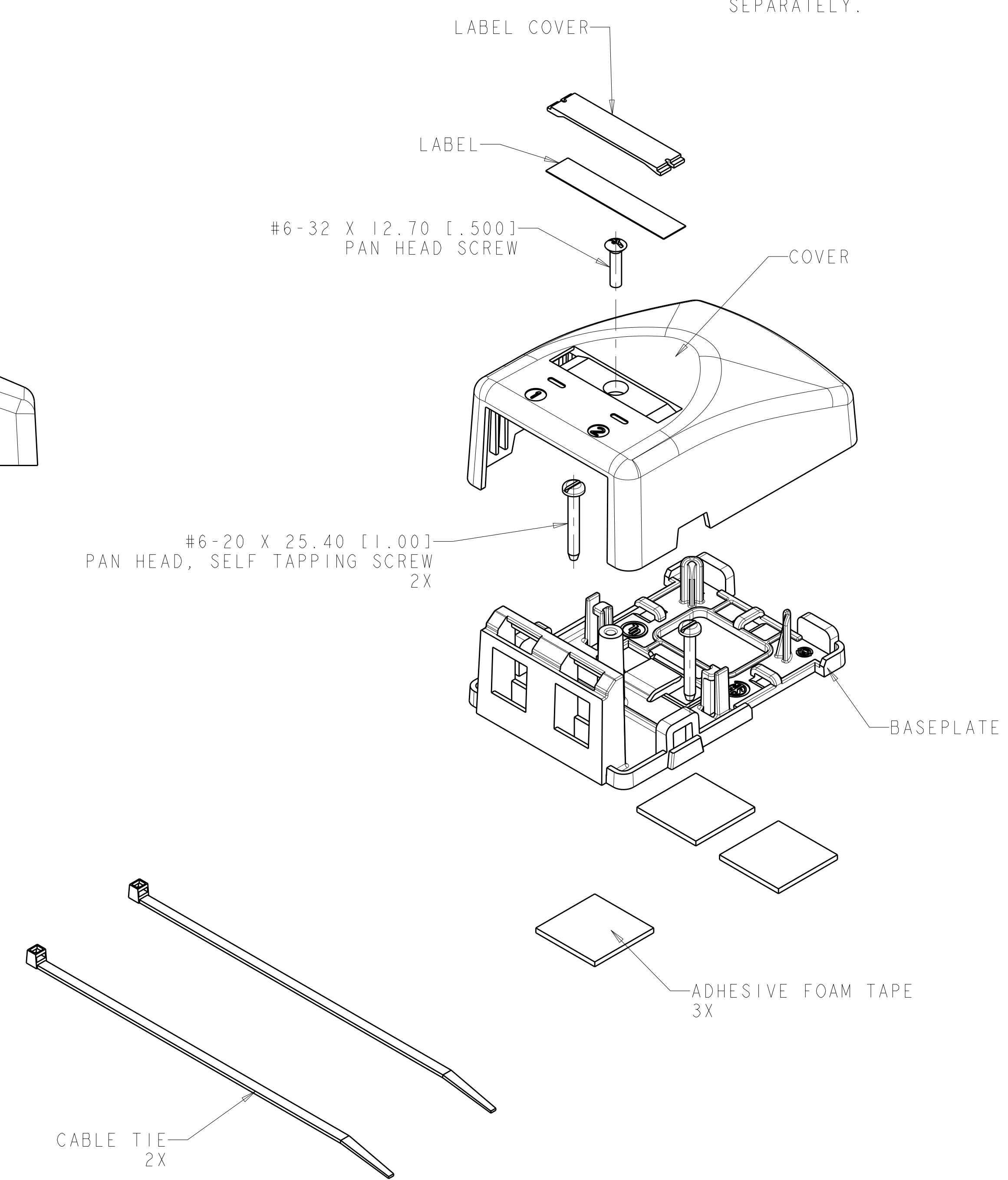
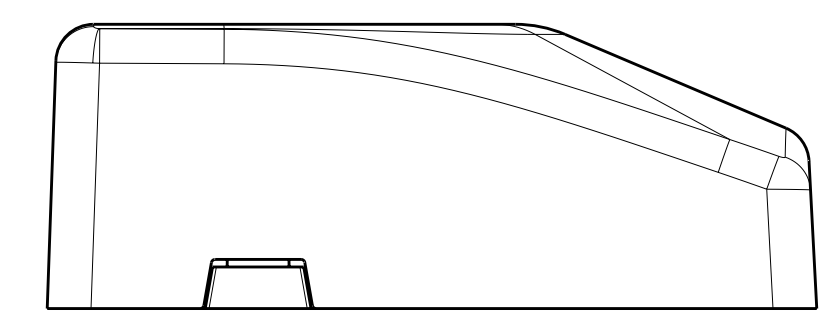
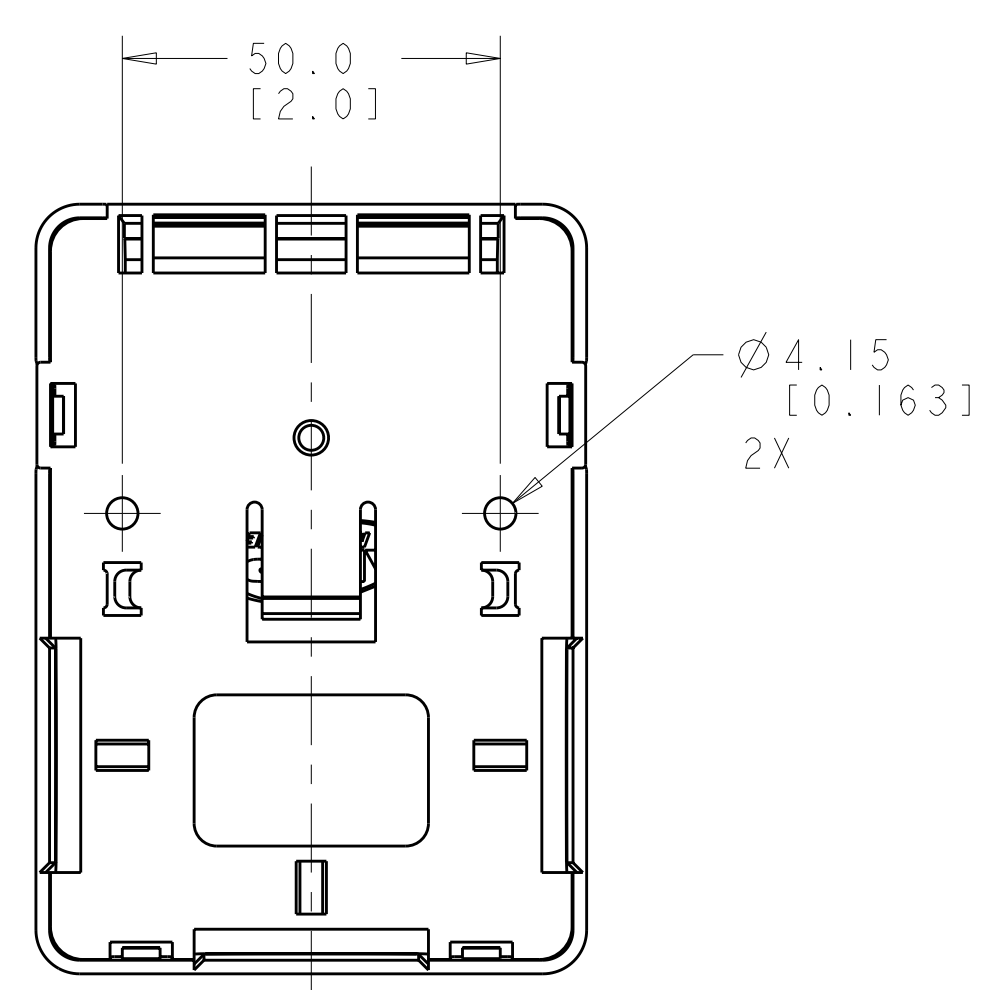
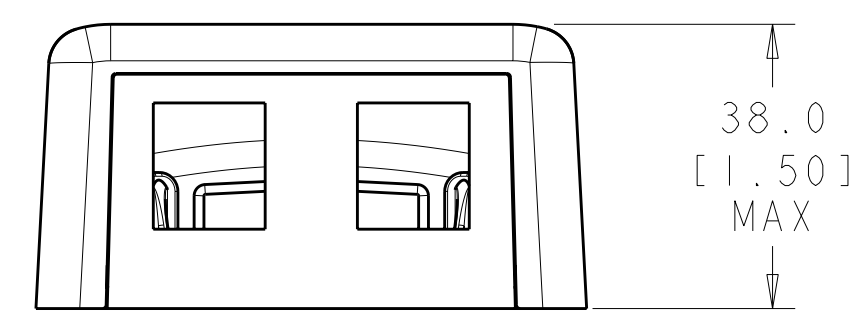
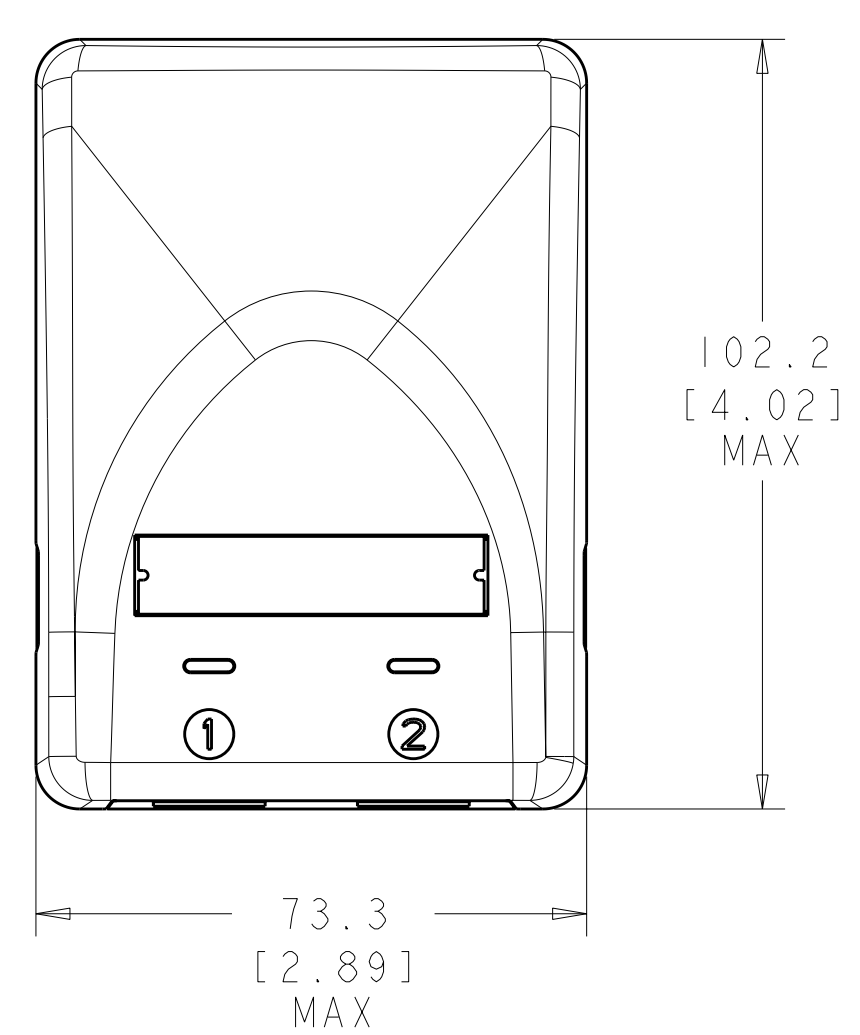


LOC	DIST	REVISIONS					
HM	00	P	LTB	DESCRIPTION	DATE	DWN	APVD
		A		RLSD; ECO-09-006765	16MAR2009	GG	RA
		B		REV; ECO-10-012110	10JUN2010	GG	RA



- △ MATERIAL: BASE AND COVER - POLYCARBONATE MOLDING COMPOUND. SEE TABLE FOR COLOR.  
 LABEL COVERS - POLYCARBONATE MOLDING COMPOUND.  
 LABELS - WHITE INDEX PAPER.  
 SCREWS - ZINC PLATED CARBON STEEL.  
 FOAM TAPE - POLYETHYLENE  
 CABLE TIE - NYLON 6/6
- THIS KIT SHIPPED NOT ASSEMBLED.
  - ACCEPTS ANY COMBINATION OF SL-SERIES, AND AMP-TWIST MODULAR JACKS, MT-RJ OUTLET JACKS AND SL SERIES MULTI MEDIA INSERTS.
  - BASE ACCEPTS MAGNET FOR OPTIONAL MOUNTING TO METAL SURFACE. MAGNET (1933677-1) PURCHASED SEPARATELY.

ALPINE WHITE	1-1933668-3
ELECTRIC IVORY	1-1933668-1
NEMA GRAY	1933668-4
WHITE	1933668-3
BLACK	1933668-2
LIGHT ALMOND	1933668-1
COLOR	PART NUMBER

DIMENSIONS: mm [INCHES] TOLERANCES UNLESS OTHERWISE SPECIFIED: 0 PLC ±. 1 PLC ±.25 2 PLC ±. 3 PLC ±. 4 PLC ±. ANGLES ±2° MATERIAL: △ FINISH:		DWN: J MCNEAL 08JUL2008 CHK: S TOBEY 08JUL2008 APVD: S TOBEY 08JUL2008 PRODUCT SPEC APPLICATION SPEC WEIGHT CUSTOMER DRAWING	Tyco Electronics Harrisburg, PA 17105-3608 NAME: KIT, 2 PORT SURFACE MOUNT MODULE SIZE: A100779 CAGE CODE: C=1933668 SCALE: 1:2 SHEET: 1 OF 1 REV: B
---	--	--	---