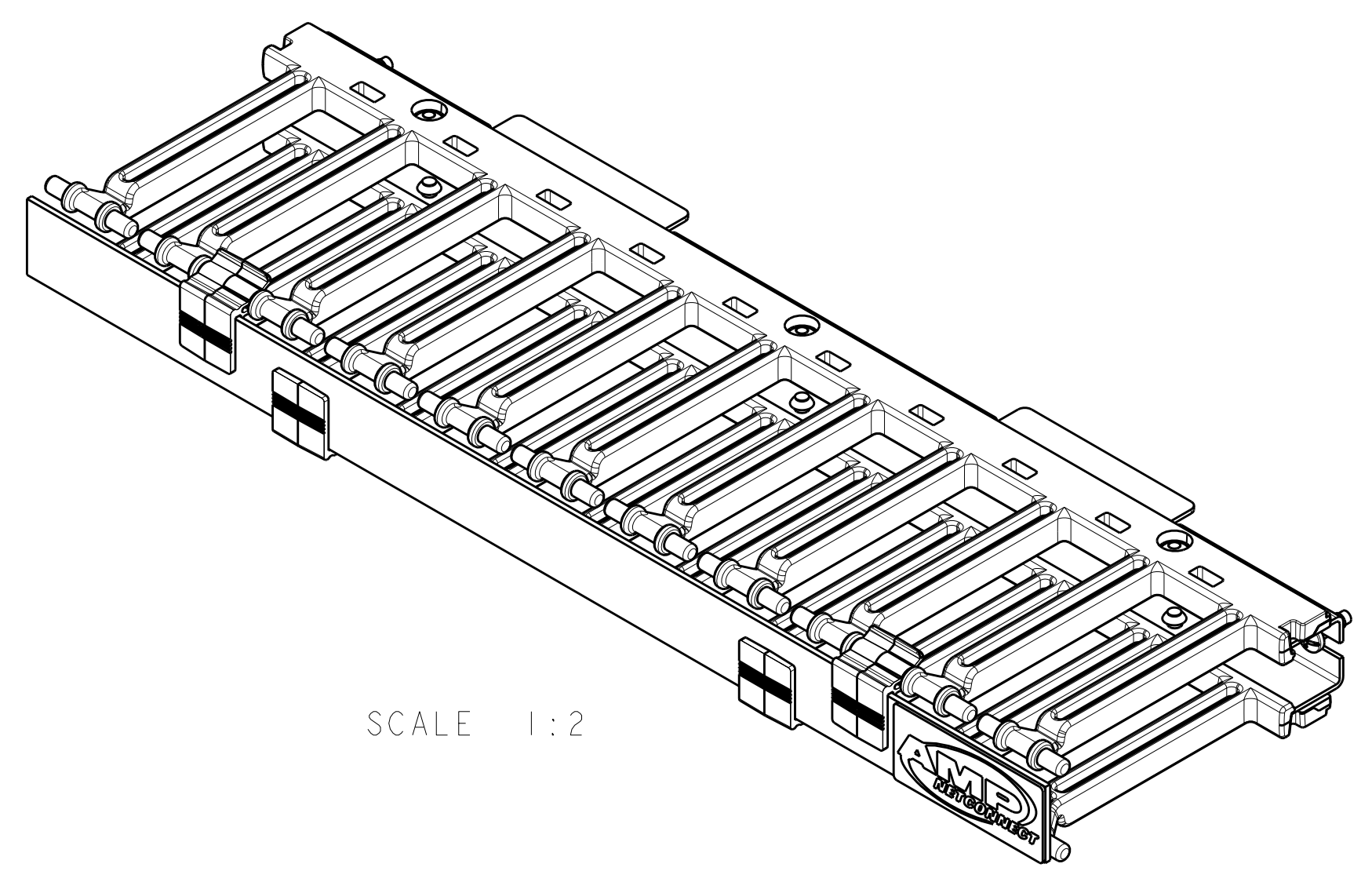


LOC	DIST	REVISIONS			
HM	00	REV	DATE	DWN	APVD
		A	RLSD; NSD07-114	19DEC2007	GG SH
		B	REV; ECO-08-013669	03JUN2008	GG SH

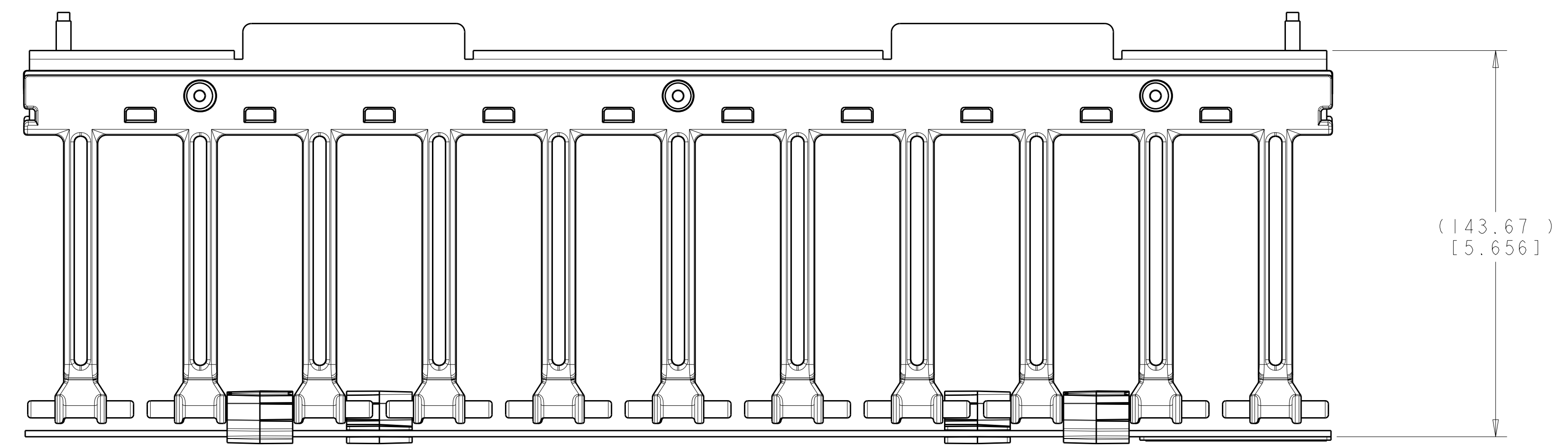


SCALE 1:2

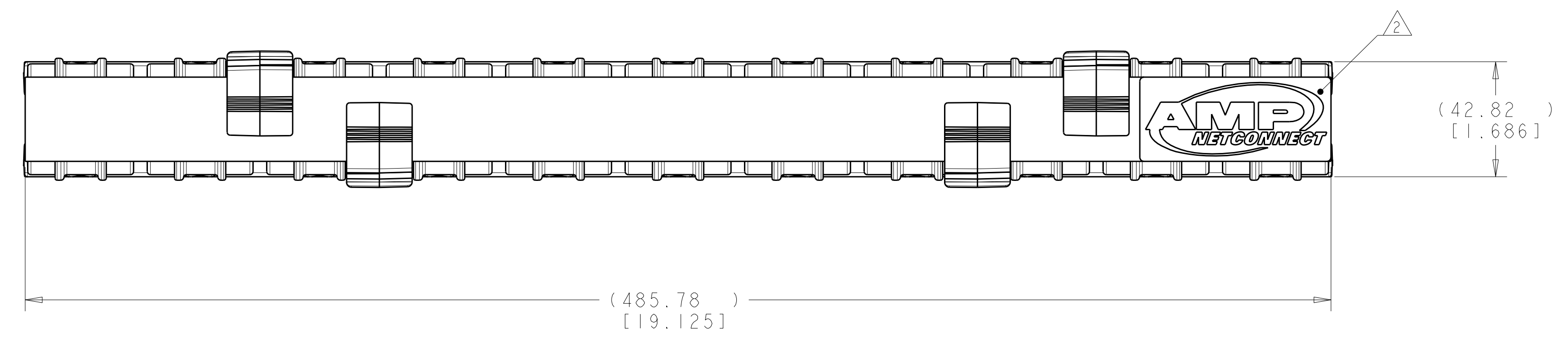
⚠ MATERIAL:
 FINGER SECTIONS - UL 94V-0 POLYCARBONATE, BLACK.
 CABLE MANAGER COVERS - (2.29) [0.090] 5052-H32 ALUMINUM.
 SPACERS/BRACKETS - 14 GA. CARBON STEEL.

FINISH:
 SPACERS, BRACKETS AND CABLE MANAGER COVERS -
 POLYESTER POWDERCOATING, FLAT BLACK, IF59126.

⚠ AMP NECONNECT LOGO SHALL BE WHITE
 LETTERING ON BLACK COLORED BACKGROUND,
 RAISED BUBBLE TYPE ADHESIVE EMBLEM,
 PRINT LOGO, AS SHOWN, DOES NOT REFLECT
 TRUE BLACK BACKGROUND.



(143.67)
 [5.656]



(42.82)
 [1.686]

(485.78)
 [19.125]

1933530-1
 PART NUMBER

<small>THIS DRAWING IS UNPUBLISHED. RELEASED FOR PUBLICATION BY TYCO ELECTRONICS CORPORATION. ALL RIGHTS RESERVED.</small>		DWN: S. GARRETT 19DEC2007 CHK: S. HERNDON 19DEC2007 APVD: S. HERNDON 19DEC2007	Tyco Electronics Harrisburg, PA 17105-3608
DIMENSIONS: (MM) [INCHES]	TOLERANCES UNLESS OTHERWISE SPECIFIED:	NAME: HORIZONTAL I/O, SINGLE SIDED PRODUCT SPEC: - APPLICATION SPEC: -	RESTRICTED TO: -
0 PLC ±.015 1 PLC ±.010 2 PLC ±.008 3 PLC ±.005 4 PLC ±.003 ANGLES ±.010	FINISH: -	WEIGHT: - CUSTOMER DRAWING	SIZE: A 00779 C=1933530 SCALE: 3:4 SHEET 1 OF 1 REV B