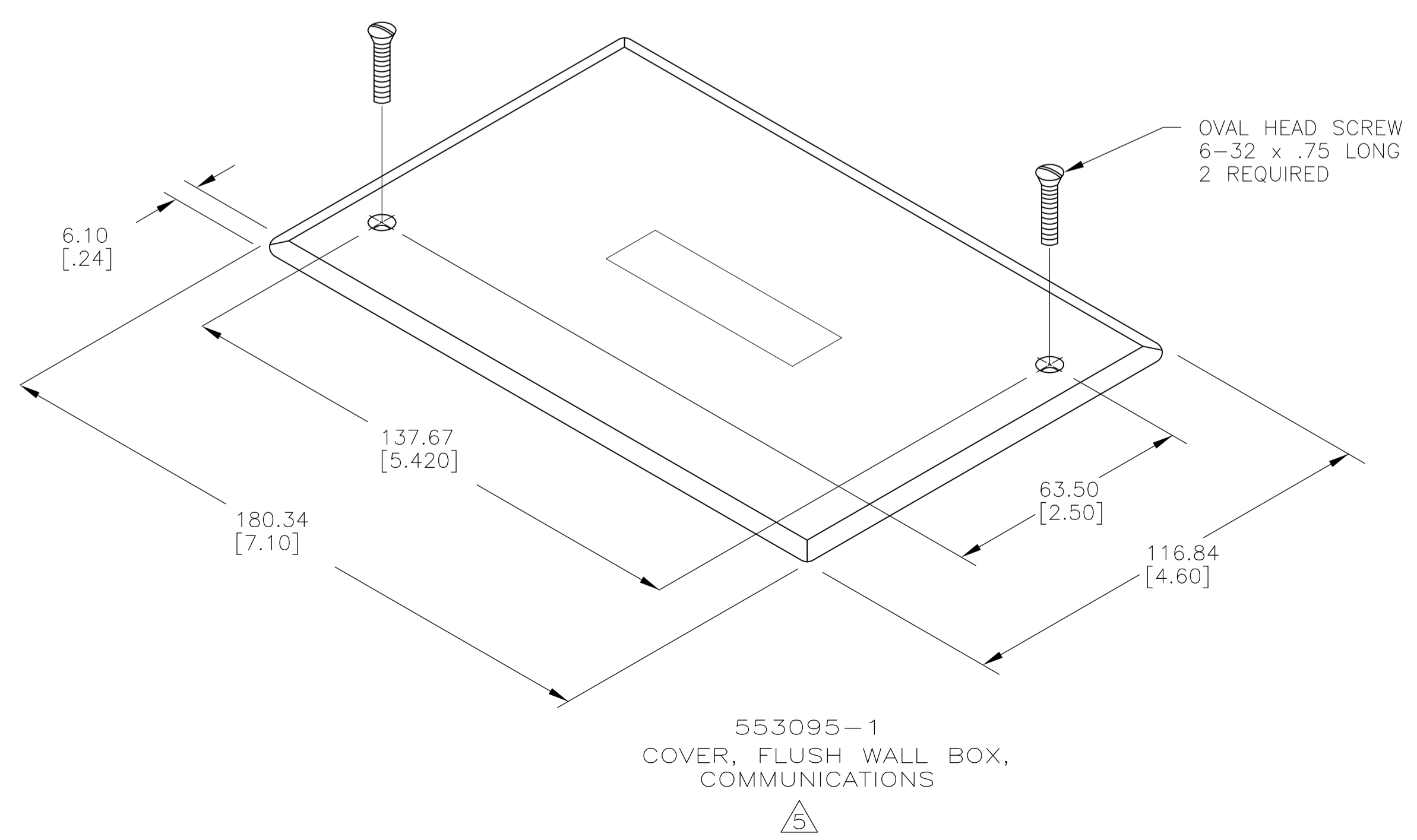


REV	DESCRIPTION	DATE	BY	APPV
D1	REV ECO-08-016216	07JUL08	LH	SJ
C	REV ECO-10-009243	10MAY2010	LH	SJ
D	REV ECO-11-002020	31JAN2011	LH	SJ
D1	REV ECO-12-008362	04MAY2012	JB	SJ

- ⚠ DIMENSIONS ARE FOR REFERENCE ONLY UNLESS OTHERWISE SPECIFIED.
- 2. KIT SHIPPED UNASSEMBLED
- ⚠ CATEGORY 6 SYSTEM CABLE:
OUTER JACKET-POLYVINYLCHORIDE, WHITE.
CONDUCTORS: COPPER, 24 AWG.
CONDUCTOR INSULATION: POLYETHELENE OR TEFLON, COLOR CODED.
- ⚠ FLUSH WALL BOX, COMMUNICATIONS FRAME AND SUPPORT- GALVANIZED CARBON STEEL.
- ⚠ FLUSH WALL BOX COVER, COMMUNICATIONS COVER - POWDER COATED ALUMINUM ALLOY. HARDWARE - ZINC PLATED STEEL.
- ⚠ FLUSH WALL BOX COVER, UNIVERSAL COVER - CLEAR ANODIZED ALUMINUM ALLOY. HARDWARE - ZINC PLATED STEEL.
- ⚠ FLUSH WALL BOX, UNIVERSAL CARBON STEEL, PREGALVANIZED.
- ⚠ DATA KIT:
BRACKET - ABS, UL 94V-0 RATED.
HOUSING - POLYPHENYLENE OXIDE, 94V-0 RATED.
110 BLOCK - POLYCARBONATE.
JACK CONTACTS ARRAY - GOLD OVER BERYLLIUM COPPER.
IDC TERMINALS- TIN OVER PHOSPHOROUS BRONZE.

(NOTES CONTINUED ON SHEET 2)



QTY	UNIT	DESCRIPTION	ITEM NO.					
1	-	FLOOR FITTING KIT-2 PORT	20					
50'	50'	FLAT WIRE, 5 COND, 12AWG	19					
1	2	5C DCR ADAPTER, BLACK	18					
1	2	5C DCR	17					
-	-	FLOOR FITTING KIT- COMBINATION	16					
-	-	DUAL DUPLEX DCR	15					
-	1	FLOOR FITTING KIT - 4 PORT	14					
1	1	1	13					
50'	50'	50'	50'	A3	554123-3	FLOOR PREP	50 FT EA	12
50'	50'	50'	50'	D	553536-3	TOP SHIELD	50 FT EA	11
-	-	50'	50'	A1	3-553079-3	FLAT WIRE, 3 COND, 12AWG,	50 FT EA	10
1	1	1	1	A1	554862-1	ASSY, POWER TRANSITION BLOCK		9
1	1	1	1	D	1375045-3	FLUSH WALL BOX/COVER KIT		7
2	4	2	4	A1	1933377-1	KIT, DATA, SL 110 JACK, UNIV, CAT 6		6
1	1	1	1	D	1479985-1	TRANSITION BLK, UC, UNIV, CAT 6		5
1	1	1	1	A1	553095-1	KIT, COVER, WALL, FLUSH		4
1	1	1	1	D	553481-1	HOLD DOWN TAPE, ROLL		3
1	1	1	1	C	553739-2	KIT, FRAME, TRANS, FLUSH, WALL		2
100'	100'	100'	100'	D	1499539-5	CA, 4UTP, 24 AWG, CAT 6 SYSTEM, CMUC	100 FT EA	1

THIS DRAWING IS A CONTROLLED DOCUMENT.

DIMENSIONS: (mm) (INCHES)

TOLERANCES UNLESS OTHERWISE SPECIFIED:

0 PLC	±	1
1 PLC	±	1
2 PLC	±	1
3 PLC	±	1
4 PLC	±	1

ANGLES: ±

MATERIAL: THRU

FINISH: THRU

THIS DRAWING IS A CONTROLLED DOCUMENT.

DWG NO: 220CT07

REV: S. JONES

DATE: 220CT07

NAME: S. JONES

PRODUCT SPEC: CONFERENCE ROOM KIT, UNDERCARPET, CATEGORY 6

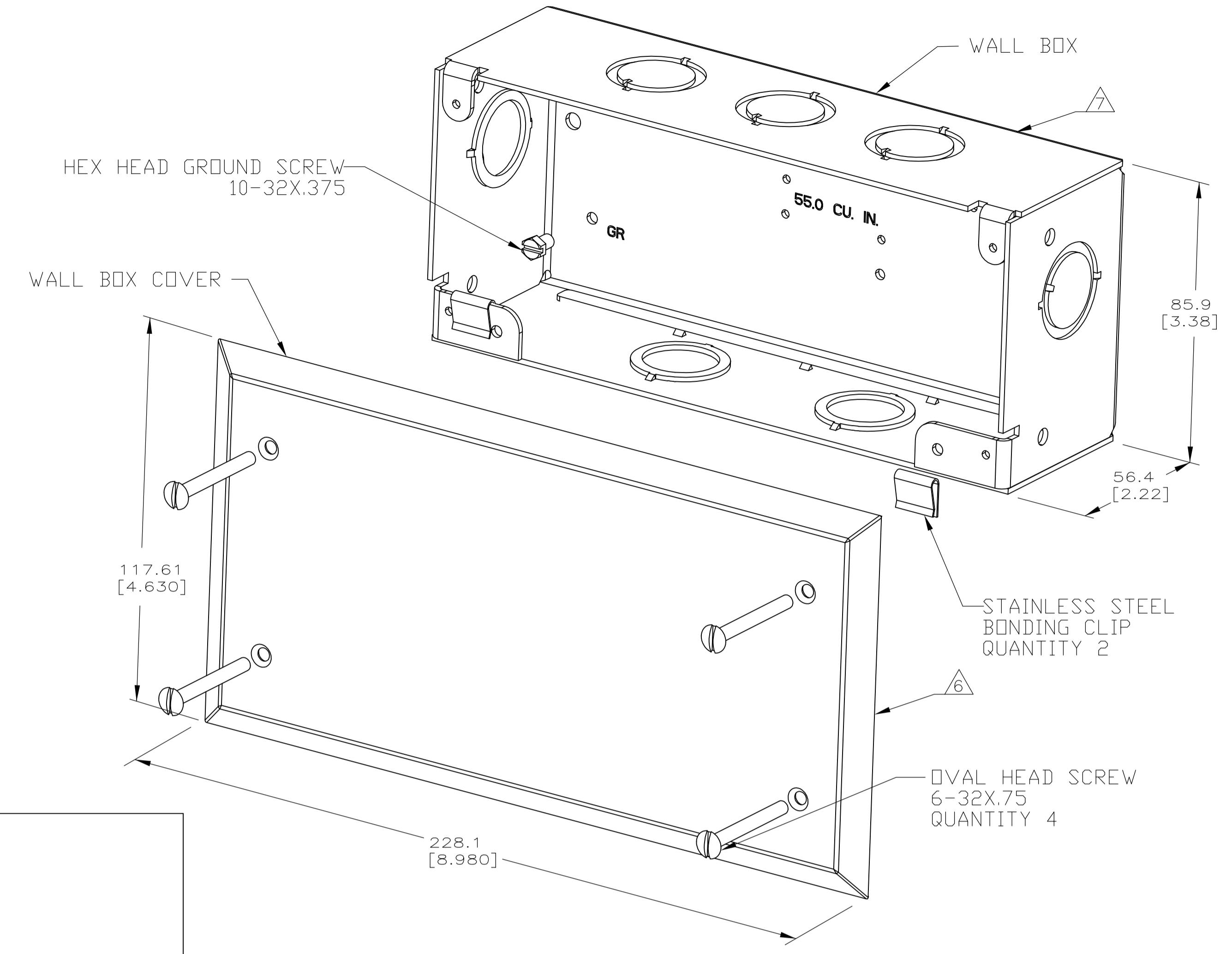
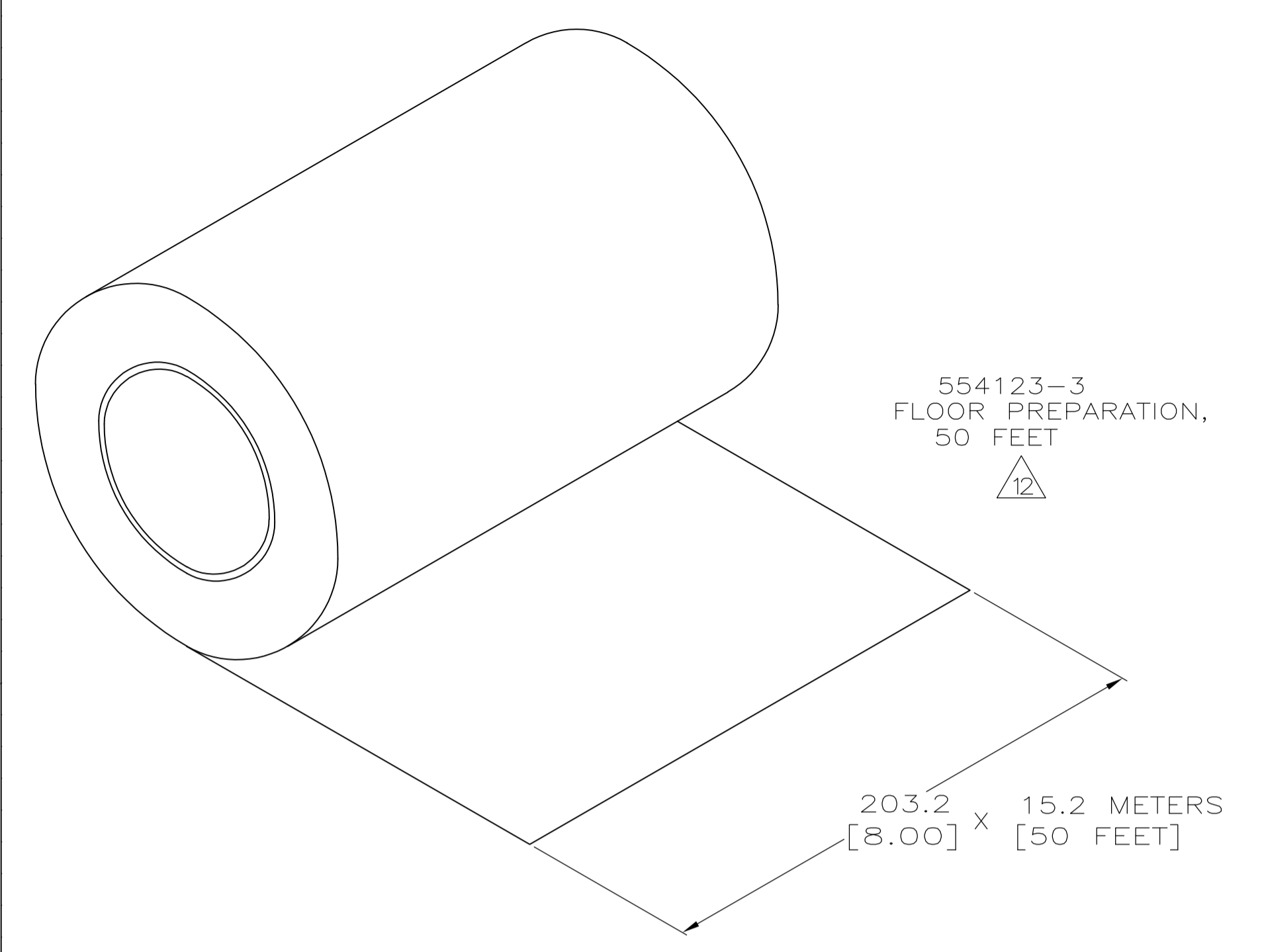
APPLICATION SPEC: A1

SIZE: A1

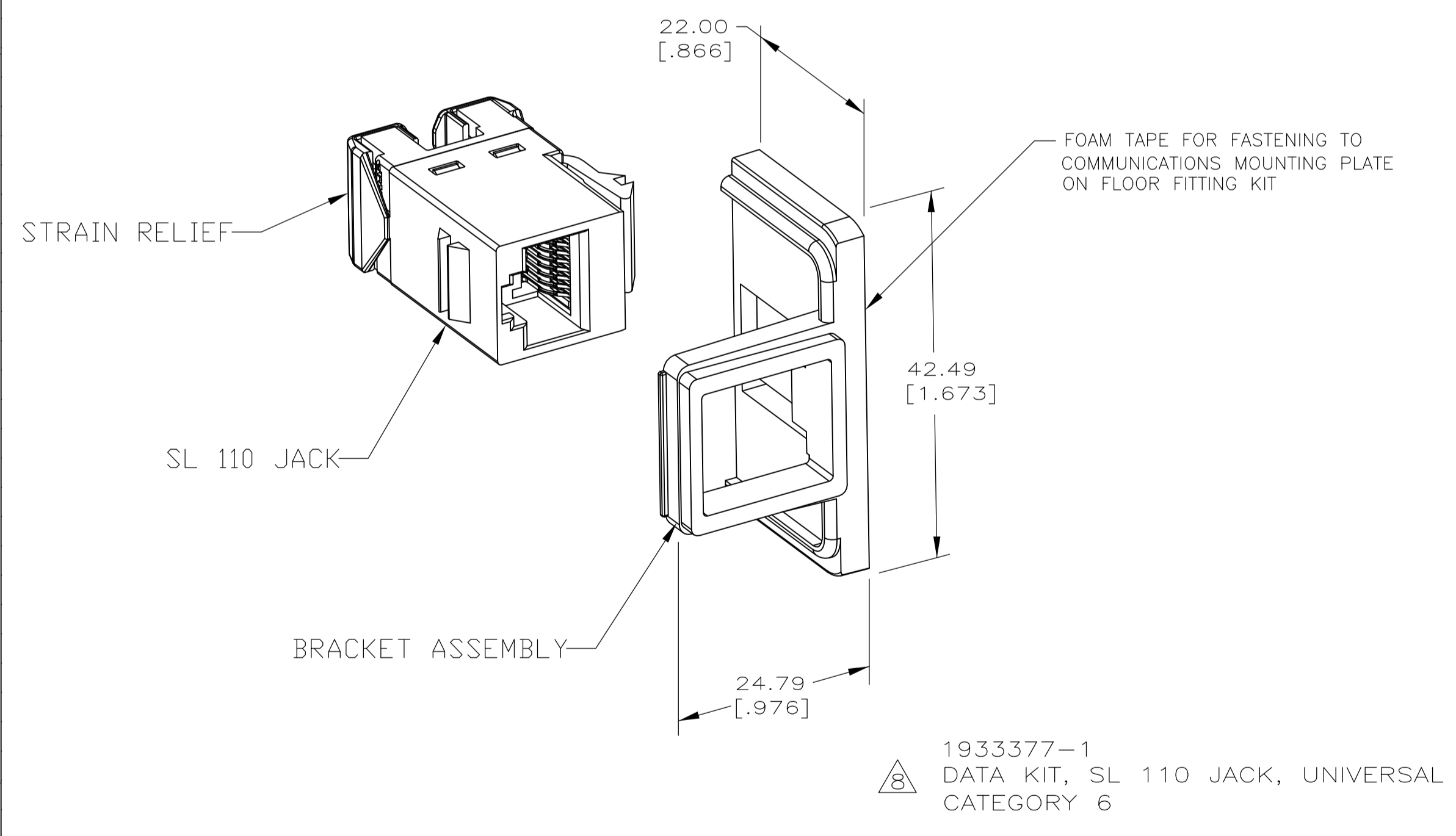
SCALE: NONE

SHEET: 1 OF 4

REV: D1



- 9 DUAL DUPLEX KIT, DIRECT CONNECTING RECEPTACLE: SKIRT - FLAME RETARDANT PLASTIC. RECEPTACLE - THERMOPLASTIC. HARDWARE - ZINC PLATED STEEL. TERMINALS AND GROUND DISC - COPPER ALLOY. INSULATION PAD - VULCANIZED FIBRE. MOUNTING PLATES - GALVANIZED CARBON STEEL. GND. CLIP - STAINLESS STEEL.
- 10 POWER TRANSITION BLOCK: UPPER ASSEMBLY - POLYESTER MOLDING COMPOUND. LOWER ASSEMBLY - CARBON STEEL, PREGALVANIZED, G90 PLATING. TERMINAL SCREWS - BRASS. ASSEMBLY SCREWS - ZINC PLATED STEEL. TERMINALS - COPPER ALLOY. WASHERS - FIBER.
- 11 CATEGORY 6 TRANSITION BLOCK WIRING BLOCK- ABS/PC MOLDING COMPOUND BLACK. CONNECTING BLOCK HOUSING AND INSERT- ABS/PC MOLDING COMPOUND, BLACK. HOUSING PLATING, NICKEL OVER COPPER. TERMINALS- PHOSPHOR BRONZE PLATED 3.81 μm [.000150] MINIMUM NICKEL UNDERPLATE. TERMINAL FINISH 3.81 μm [.000150] MINIMUM THICK MATTE- TIN.
- 12 FLOOR PREPARATION: POLYVINYL CHLORIDE SHEET, YELLOW, 0.25 [.010] THICK.
- 13 FLAT CABLE FILM- POLYESTER. CONDUCTORS- COPPER. SHIELD- POLYVINYL CHLORIDE.
- 14 MULTI-PURPOSE TAPE: ADHESIVE BACKED POLYETHYLENE COATED COTTON CLOTH, BLACK, 0.33 [.013] THICK



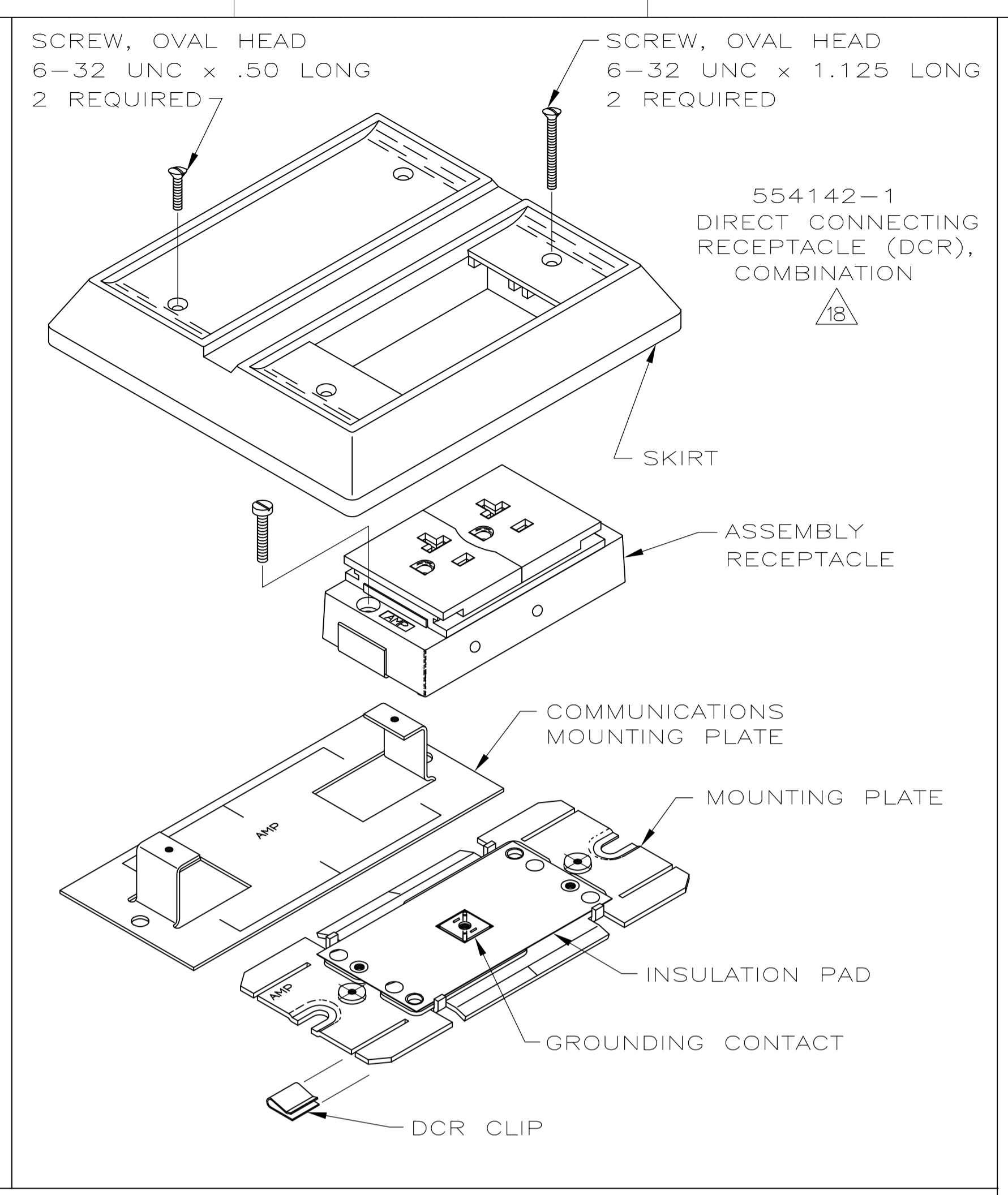
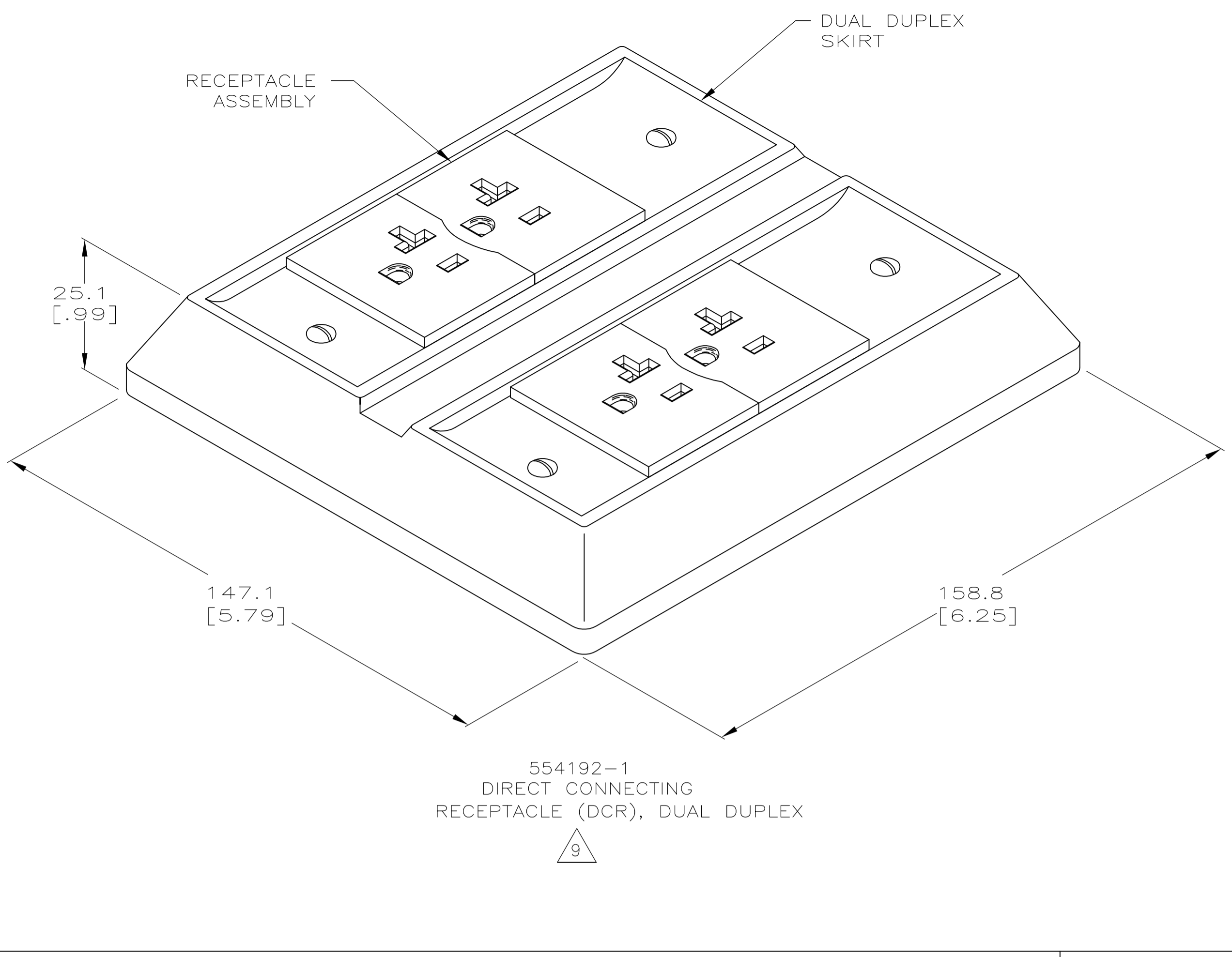
COLOR CODE	IDC TERMINAL	MODULAR JACK		COLOR CODE	IDC TERMINAL	MODULAR JACK	
WHITE/BLUE			5	WHITE/BLUE			5
BLUE			4	BLUE			4
WHITE/DRANGE			3	WHITE/DRANGE			1
ORANGE			6	ORANGE			2
WHITE/GREEN			1	WHITE/GREEN			3
GREEN			2	GREEN			6
WHITE/BROWN			7	WHITE/BROWN			7
BROWN			8	BROWN			8

ELECTRICAL SCHEMATIC T568A

ELECTRICAL SCHEMATIC T568B

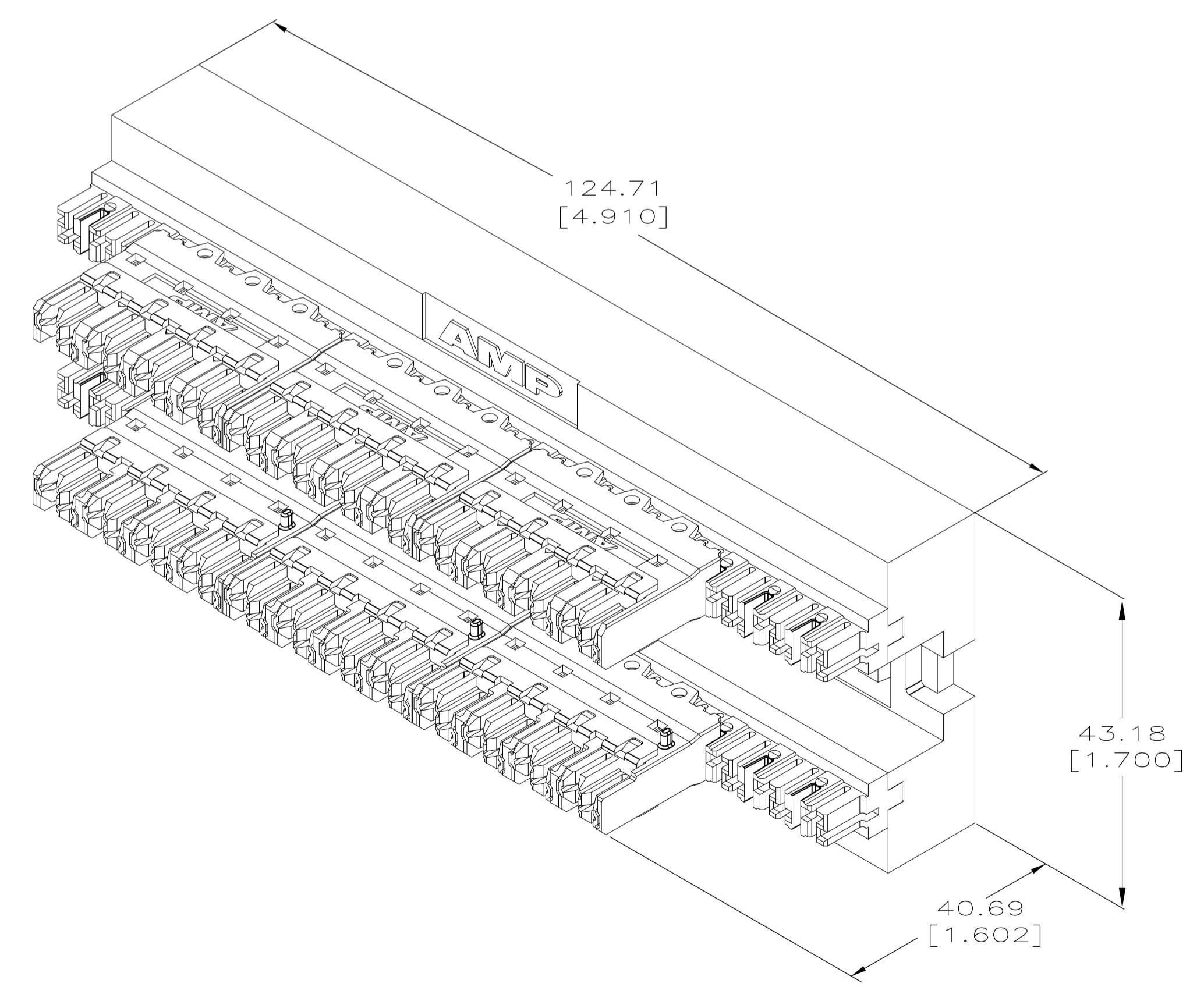
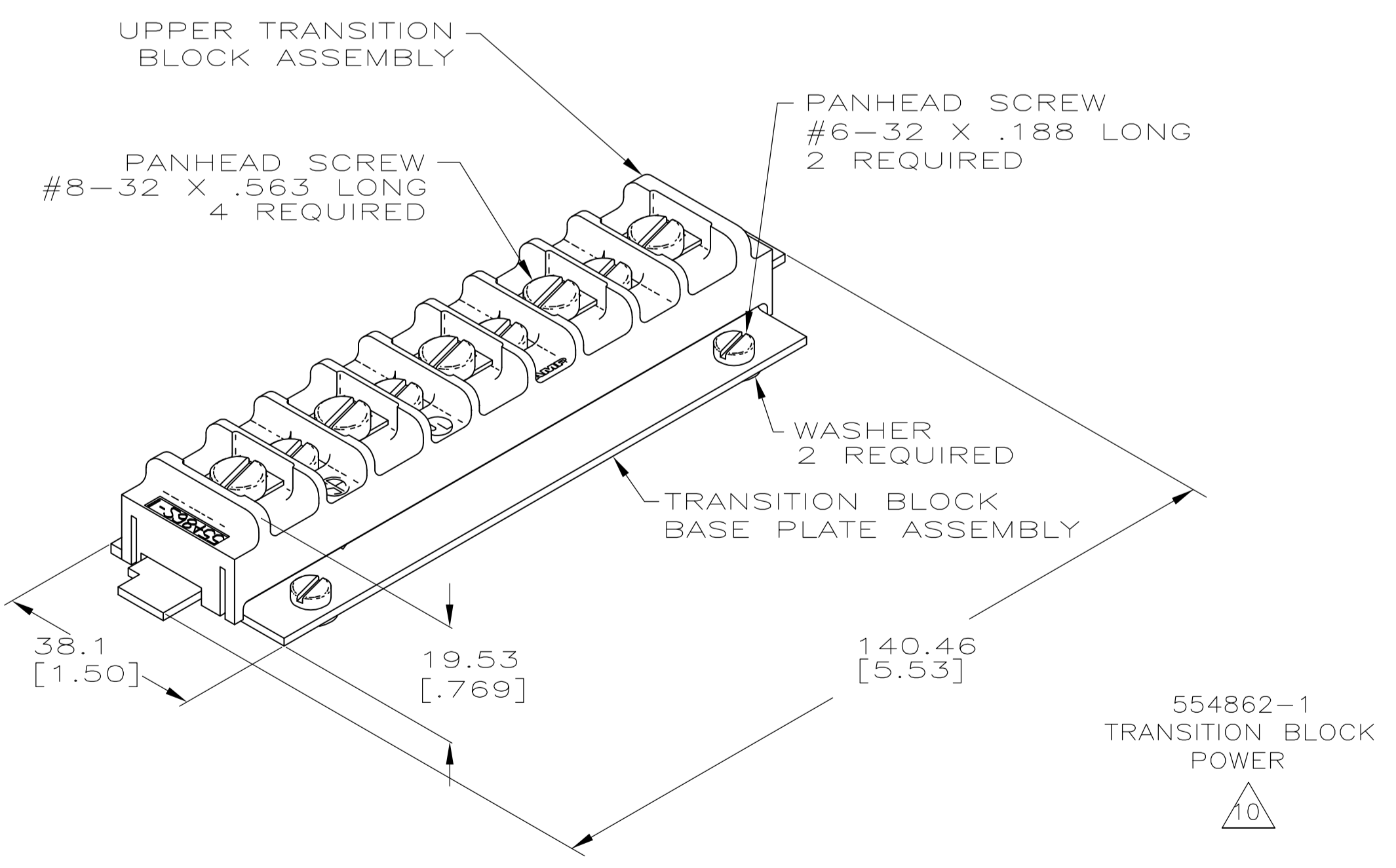
(NOTES CONTINUED ON SHEET 3)

THIS DRAWING IS A CONTROLLED DOCUMENT.		DIN J. BURWELL 22OCT07	 TE Connectivity
DIMENSIONS: INCHES		CHK S. JONES 22OCT07	
TOLERANCES UNLESS OTHERWISE SPECIFIED:		APVD S. JONES 22OCT07	NAME
0. PLC ± .01	1. PLC ± .01	PRODUCT SPEC	CONFERENCE ROOM KIT, UNDERCARPET, CATEGORY 6
2. PLC ± .01	3. PLC ± .01	APPLICATION SPEC	SIZE CAGE CODE DRAWING NO
4. PLC ± .01	ANGLES ± .01	WEIGHT	A1 00779 C=1933466
MATERIAL	FINISH	CUSTOMER DRAWING	RESTRICTED TO
		SCALE NONE	SHEET 2 OF 4 REV D1



LOC	DIST	REVISIONS			
F	LTR	DESCRIPTION	DATE	DN	APVD
HM	00	SEE SHEET 1	-	-	-

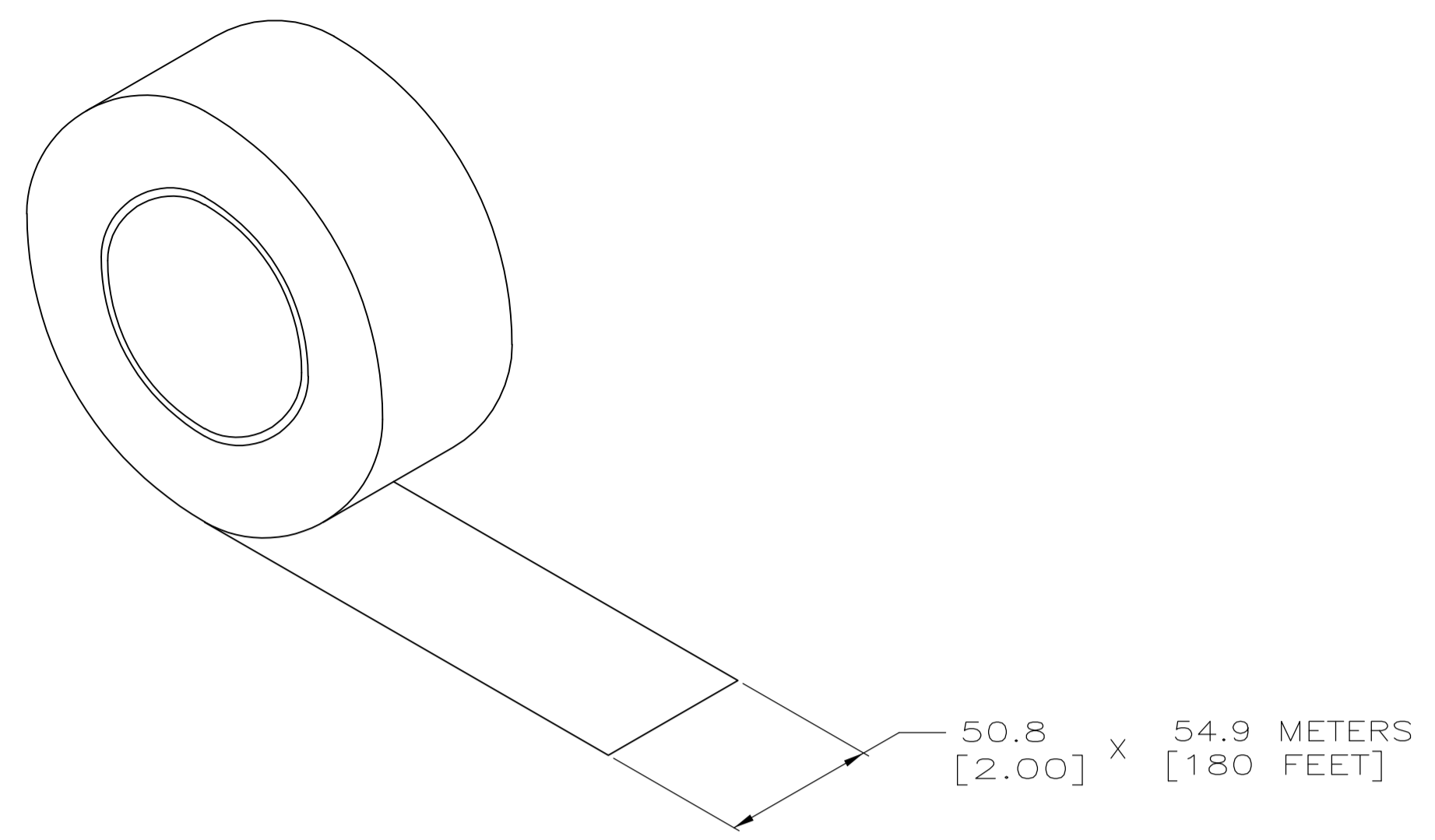
- 15 TOP SHIELD:
STAINLESS STEEL,
0.25 [.010] THICK.
- 16 FLOOR PREPARATION ADHESIVE:
24 FLUID OUNCES.
- 17 FLOOR FITTING KIT,
DUAL, BLANK, 4 PORT:
SKIRT-FLAME RETARDANT PLASTIC.
HARDWARE-ZINC OR BLACK OXIDE PLATED
CARBON STEEL.
MOUNTING PLATE-GALVANIZED CARBON STEEL.
- 18 FLOOR FITTING KIT:
SKIRT - FLAME RETARDANT PLASTIC.
RECEPTACLE - THERMOPLASTIC.
HARDWARE - ZINC PLATED STEEL.
TERMINALS AND GROUND DISC -
COPPER ALLOY.
INSULATION PAD - VULCANIZED FIBRE.
MOUNTING PLATES - GALVANIZED
CARBON STEEL.
DCR CLIP - STAINLESS STEEL.



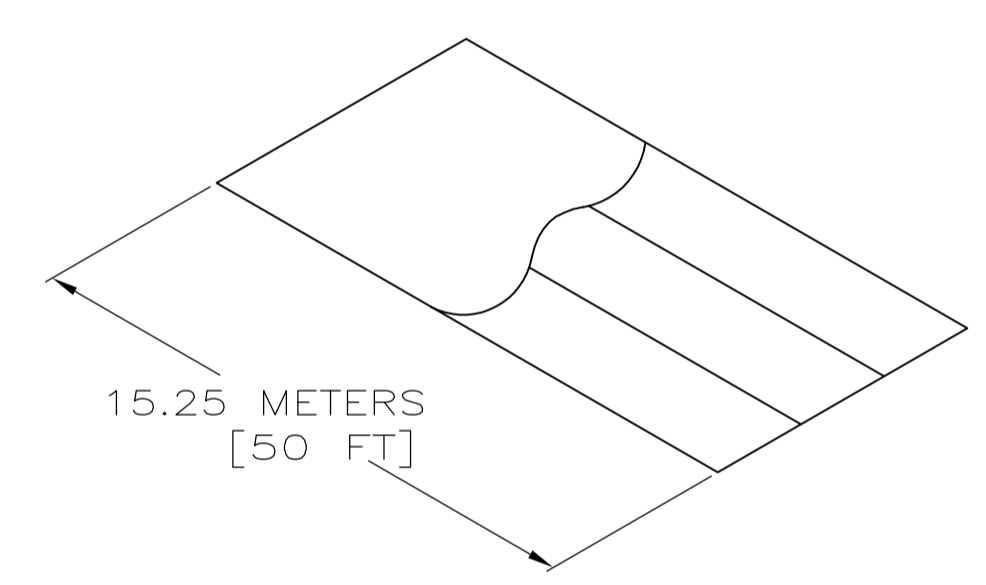
1479985-1
TRANSITION BLOCK,
UNIVERSAL, CATEGORY 6

11

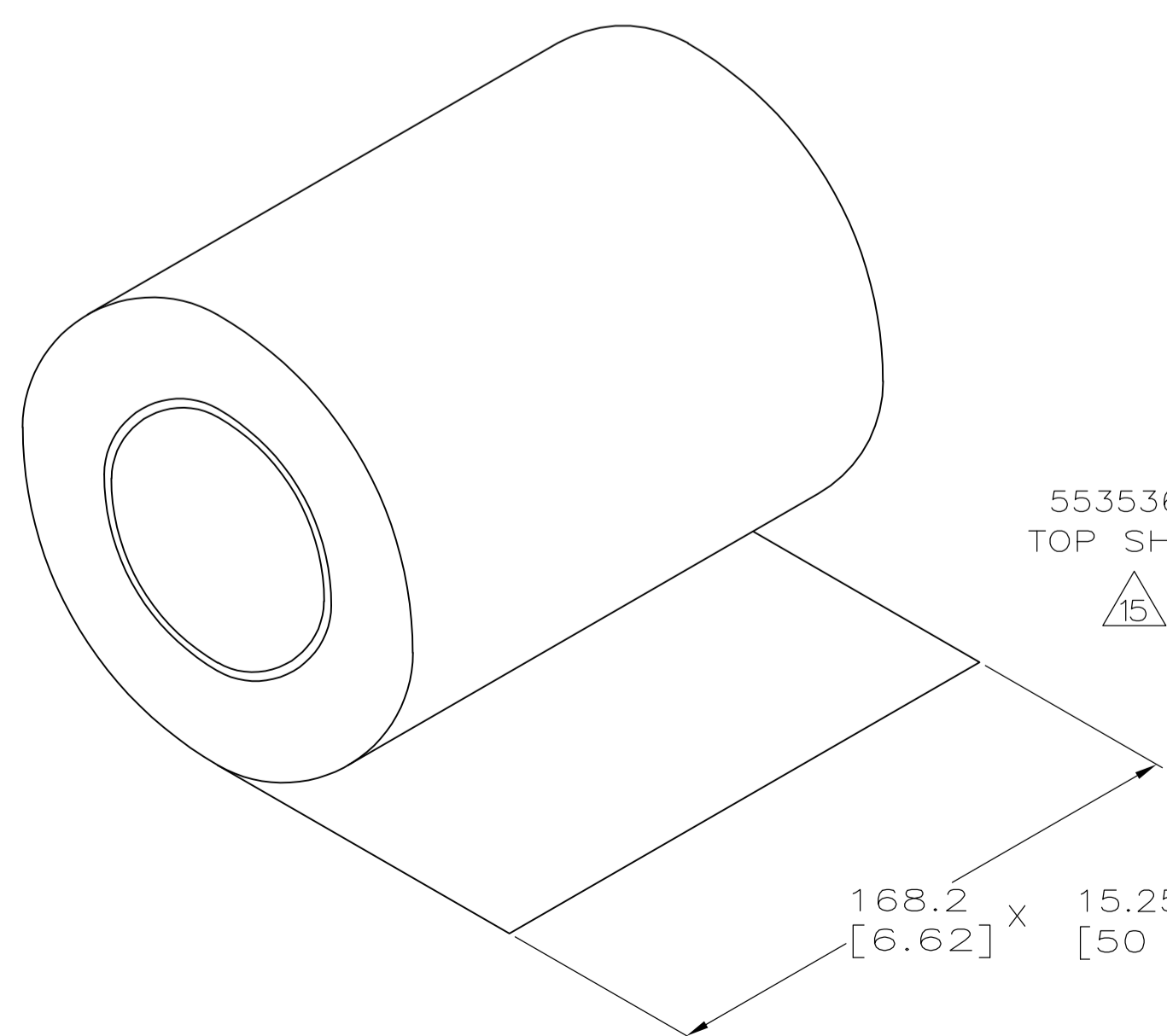
THIS DRAWING IS A CONTROLLED DOCUMENT.		DIN J. BURWELL 22OCT07	 TE Connectivity
DIMENSIONS: INCHES		CHK S. JONES 22OCT07	
TOLERANCES UNLESS OTHERWISE SPECIFIED:		APVD S. JONES 22OCT07	NAME
0. PLC ± .005	1. PLC ± .005	PRODUCT SPEC	CONFERENCE ROOM KIT, UNDERCARPET, CATEGORY 6
2. PLC ± .005	3. PLC ± .005	APPLICATION SPEC	SIZE CASE CODE DRAWING NO
4. PLC ± .005	ANGLES ± .005	WEIGHT	A1 00779 C=1933466
MATERIAL	FINISH	CUSTOMER DRAWING	SCALE NONE SHEET 3 OF 4 REV D1



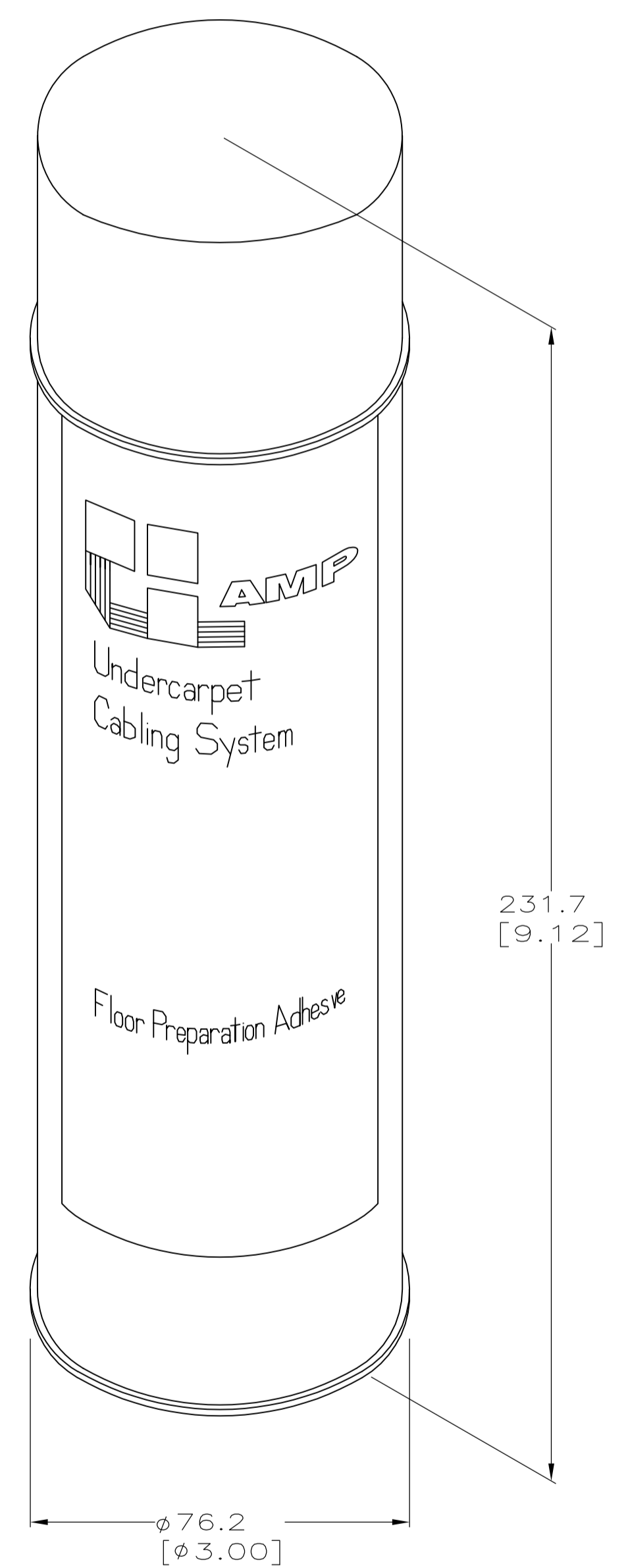
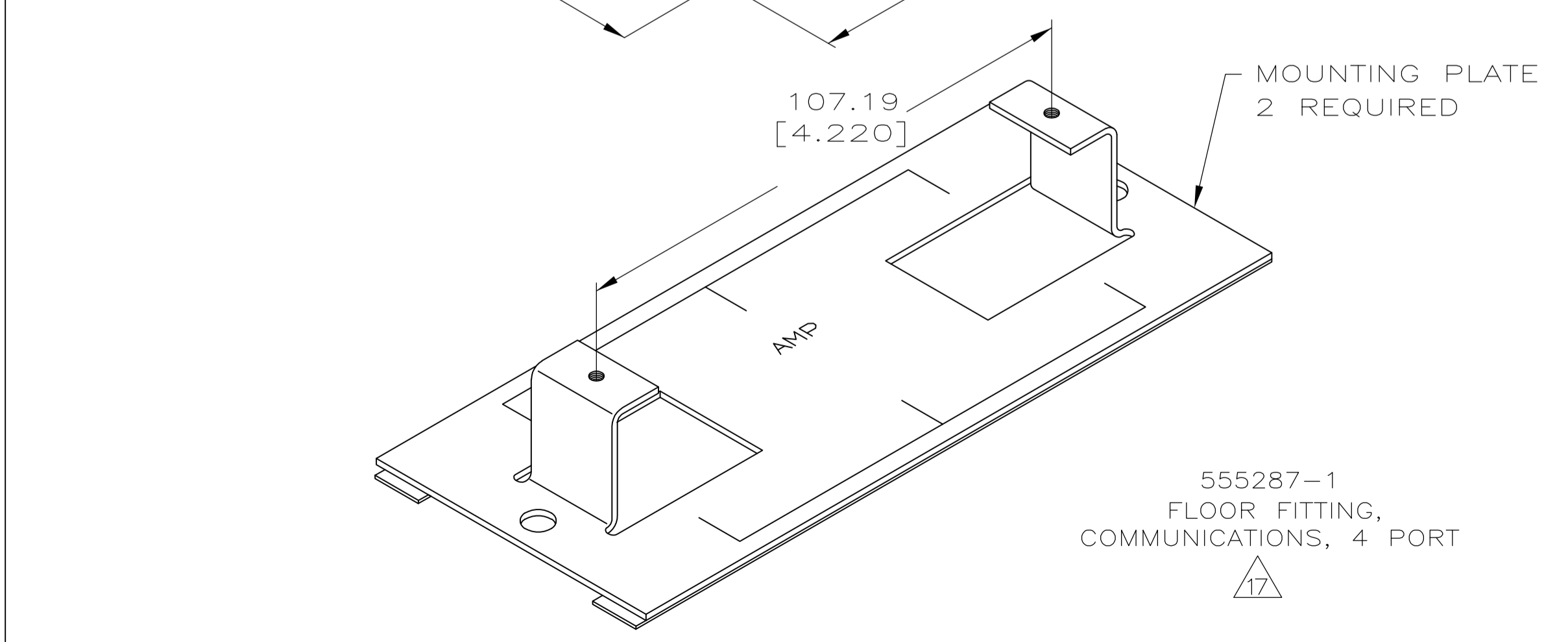
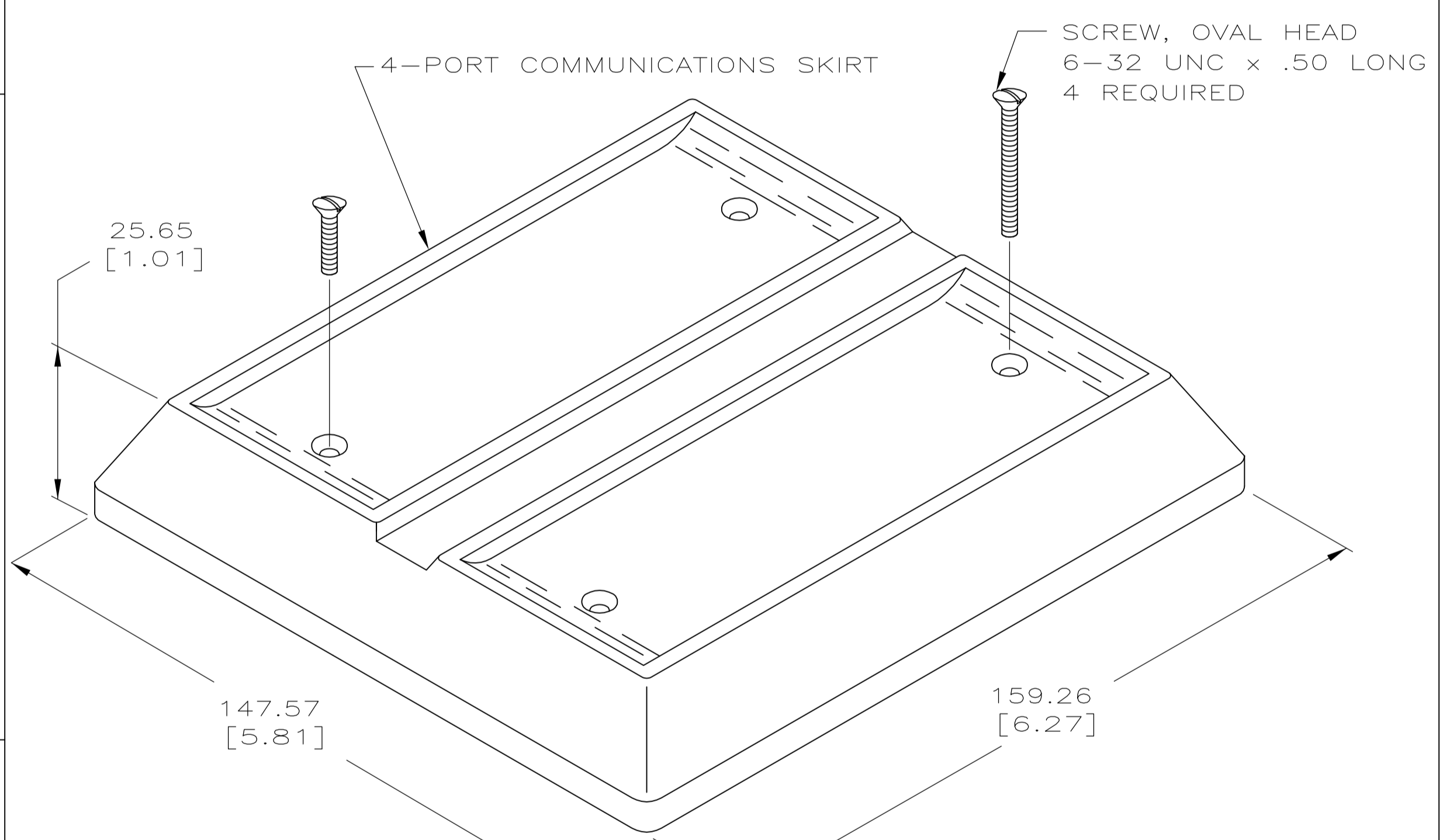
14 553481-1 HOLD DOWN TAPE, ROLL



13 3-553079-3 FLAT CONDUCTOR CABLE (TYPE FCC) 3 CONDUCTOR, 12 AWG



15 553536-3 TOP SHIELD



16 6-553453-2 SPRAY ADHESIVE CAN

THIS DRAWING IS A CONTROLLED DOCUMENT.		DIN J. BURWELL 22OCT07		TE Connectivity	
DIMENSIONS: INCHES		C/K S. JONES 22OCT07			
TOLERANCES UNLESS OTHERWISE SPECIFIED:		APVD S. JONES 22OCT07		NAME	
0 PL ± -	1 PL ± -	PRODUCT SPEC		CONFERENCE ROOM KIT, UNDERCARPET, CATEGORY 6	
2 PL ± -	3 PL ± -	APPLICATION SPEC		SIZE CAGE CODE DRAWING NO	
4 PL ± -	ANGLES ± -	WEIGHT		A1 00779 C=1933466	
MATERIAL FINISH		CUSTOMER DRAWING		SCALE NONE SHEET 4 OF 4 REV D1	