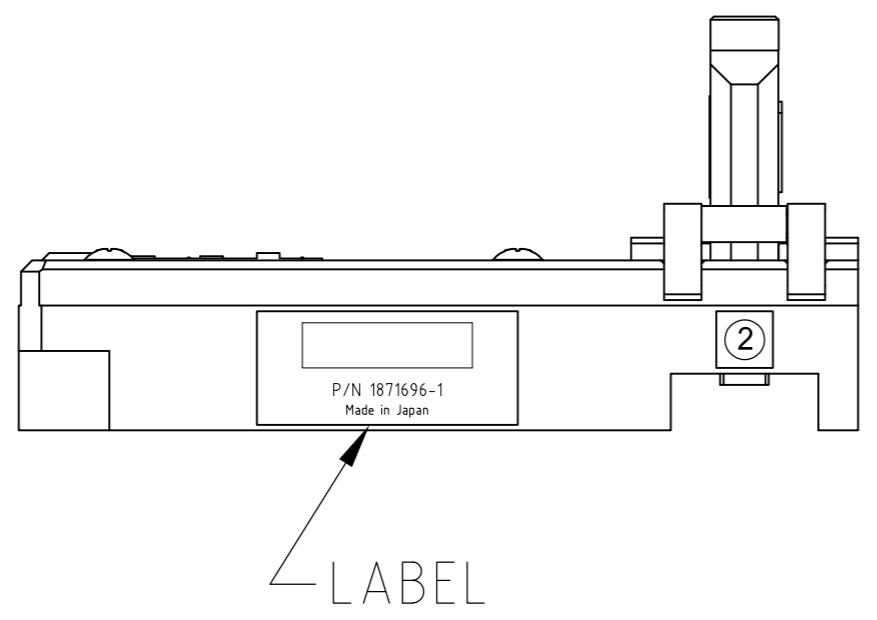
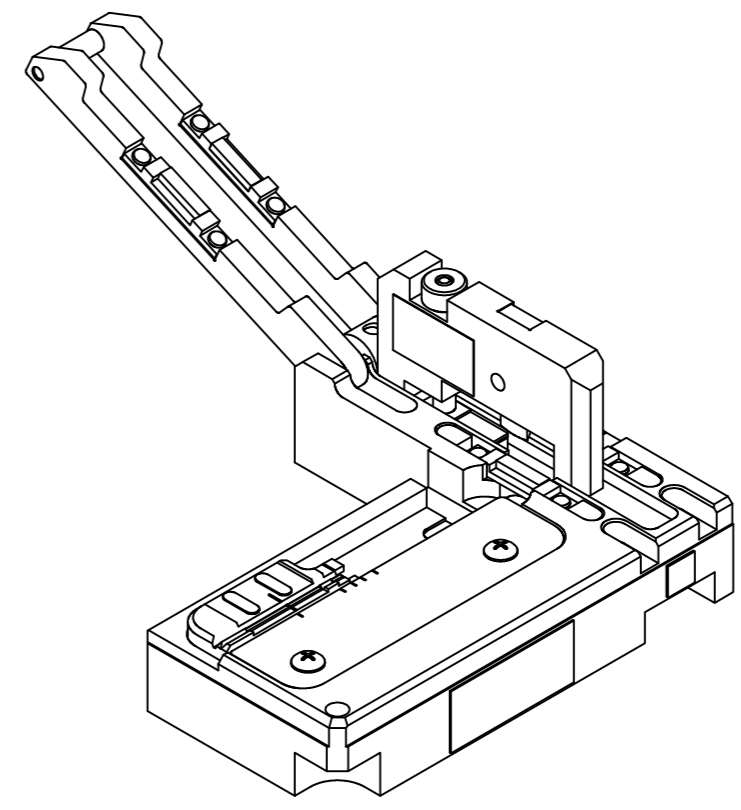
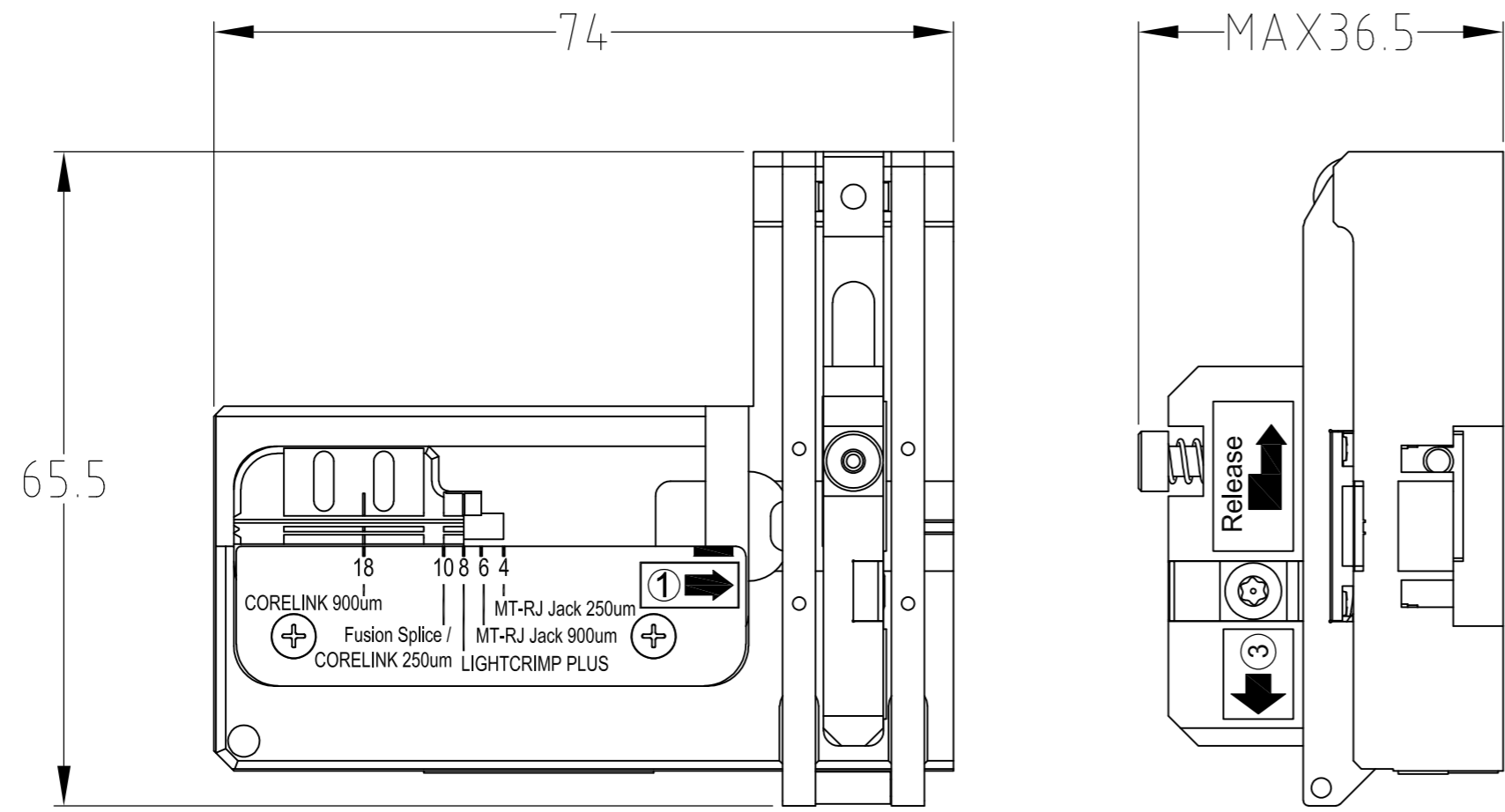


THIS DRAWING IS UNPUBLISHED. RELEASED FOR PUBLICATION JULY, 7 .
 © COPYRIGHT 2005 By - ALL RIGHTS RESERVED.

LOC	DIST	REVISIONS			
P	LTR	DESCRIPTION	DATE	DWN	APVD
J					
	C	REVISE ECR-06-022150	26SEP06	S.K	T.H
	D	REVISE ECR-07-005111	8MAR07	S.K	T.H
	E	REVISE ECR-11-018726	11SEP11	S.K	T.H



- 1. ATTACHED A FABRIC BAG AND A STRAP
- 2. WEIGHT OF -1: 152g

SHOWN: -1

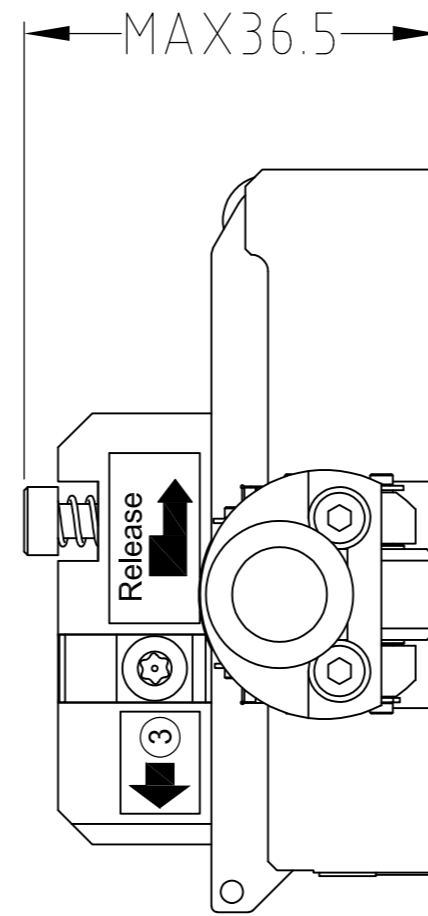
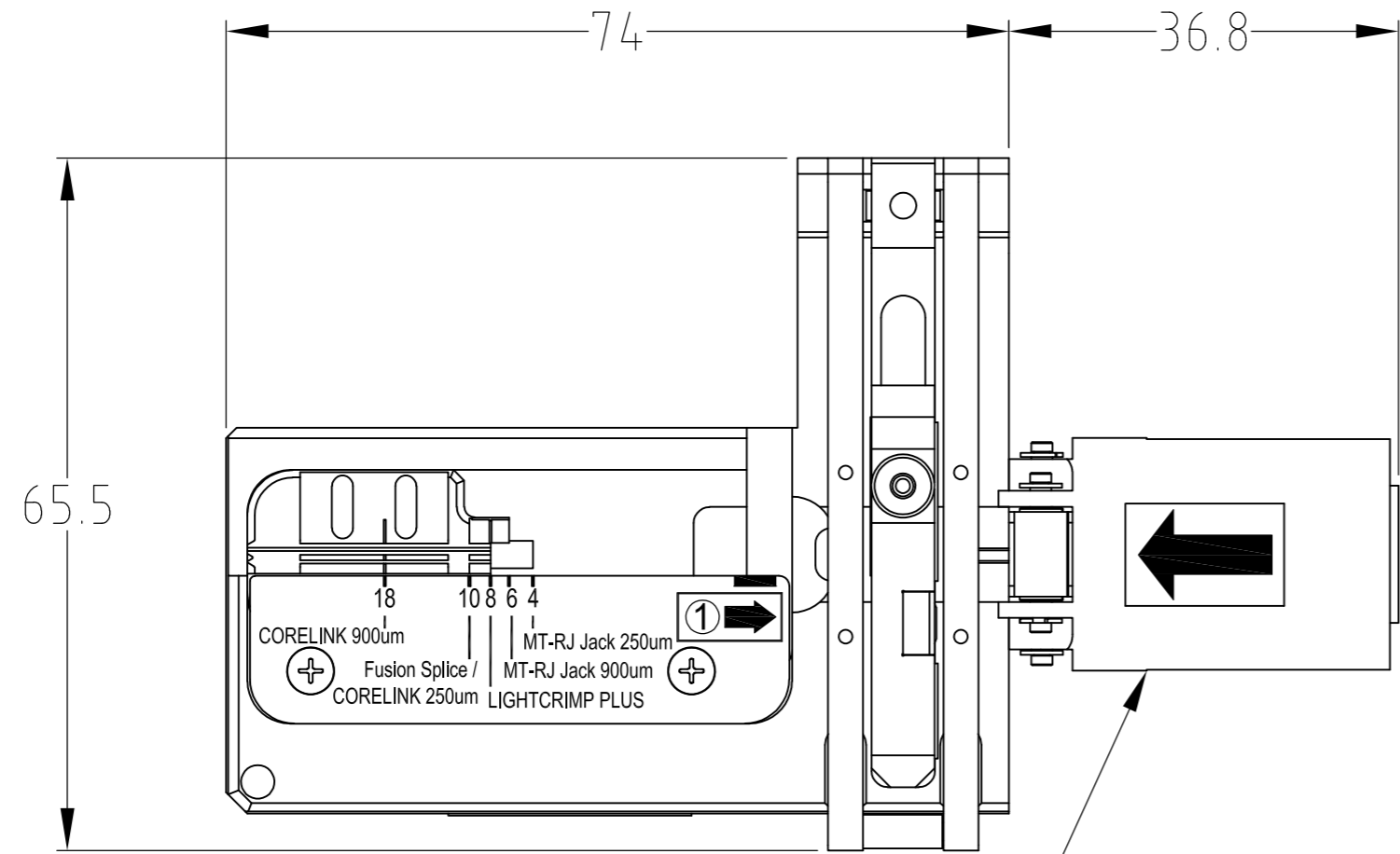
FIBER CLEAVER WITH JACKET HOLDER	1871696-5
FIBER CLEAVER, 8mm MARK	1871696-4
FIBER CLEAVER JACKETED CABLE	1871696-3
FIBER CLEAVER WITH FIBER SCRAP BOX	1871696-2
FIBER CLEAVER	1871696-1
DESCRIPTION	PART NO

THIS DRAWING IS A CONTROLLED DOCUMENT.		DWN	S.KOBAYASHI	07JUL05	
DIMENSIONS: mm		CHK	T.HAYASHI	07JUL05	
TOLERANCES UNLESS OTHERWISE SPECIFIED		APVD	T.HAYASHI	07JUL05	
0 PLC ± 1 PLC ± 2 PLC ± 3 PLC ± 4 PLC ± ANGLES ± FINISH		PRODUCT SPEC	NAME		
MATERIAL		APPLICATION SPEC		FIBER CLEAVER	
		WEIGHT	SIZE		RESTRICTED TO
		CUSTOMER DRAWING	A2	CAGE CODE	
		SCALE	NTS	DRAWING NO	
		SHEET	1 of 5	REV	
				1871696	

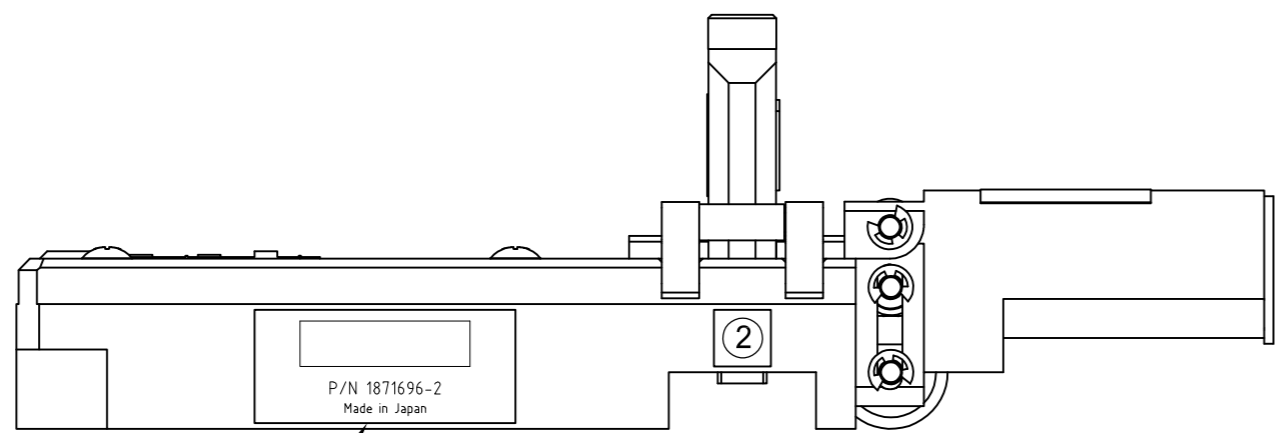
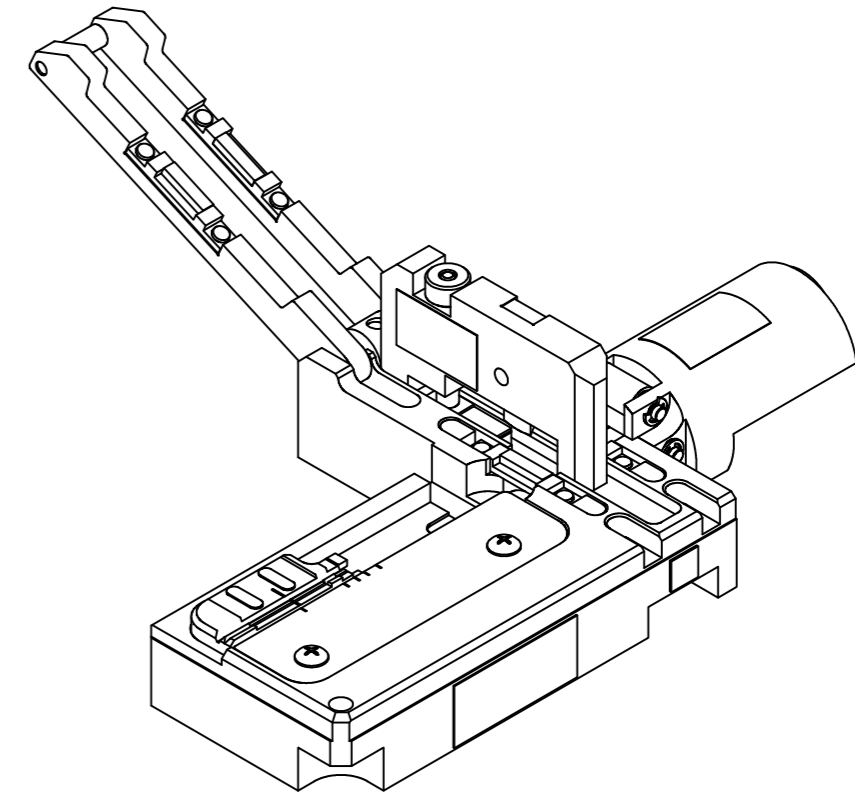
THIS DRAWING IS UNPUBLISHED. RELEASED FOR PUBLICATION JULY, 7 .
 © COPYRIGHT 2005 By - ALL RIGHTS RESERVED.

LOC	DIST	REVISIONS			
P	LTR	DESCRIPTION	DATE	DWN	APVD
J		SEE SHEET 1			

SHOWN: -2



FIBER SCRAP BOX



LABEL

1871696

THIS DRAWING IS A CONTROLLED DOCUMENT.		DWN S.KOBAYASHI 07JUL05	TE TE Connectivity	
DIMENSIONS: mm		CHK T.HAYASHI 07JUL05		
TOLERANCES UNLESS OTHERWISE SPECIFIED		APVD T.HAYASHI 07JUL05	NAME FIBER CLEAVER	
0 PLC ±		PRODUCT SPEC	SIZE A2	CAGE CODE 00779
1 PLC ±		APPLICATION SPEC	DRAWING NO C=1871696	RESTRICTED TO
2 PLC ±		WEIGHT	SCALE NTS	SHEET 2 of 5
3 PLC ±		CUSTOMER DRAWING	REV E	
4 PLC ±				
ANGLES ±				
FINISH				

4

3

2

1

THIS DRAWING IS UNPUBLISHED. RELEASED FOR PUBLICATION JULY, 7 .
 © COPYRIGHT 2005 By - ALL RIGHTS RESERVED.

LOC	DIST	REVISIONS			
P	LTR	DESCRIPTION	DATE	DWN	APVD
J		SEE SHEET 1			

SHOWN: -3

FIBER CART FOR JACKETED CABLE

LABEL

THIS DRAWING IS A CONTROLLED DOCUMENT.		DWN S.KOBAYASHI 07JUL05	TE TE Connectivity	
DIMENSIONS: mm		CHK T.HAYASHI 07JUL05		
TOLERANCES UNLESS OTHERWISE SPECIFIED		APVD T.HAYASHI 07JUL05	NAME FIBER CLEAVER	
0 PLC ±		PRODUCT SPEC	SIZE A2	
1 PLC ±		APPLICATION SPEC	CAGE CODE 00779	DRAWING NO C=1871696
2 PLC ±		WEIGHT	RESTRICTED TO	
3 PLC ±		FINISH	SCALE NTS	SHEET 3 OF 5
4 PLC ±		CUSTOMER DRAWING	REV E	
ANGLES ±				

1471-9 (3/11)

1871696

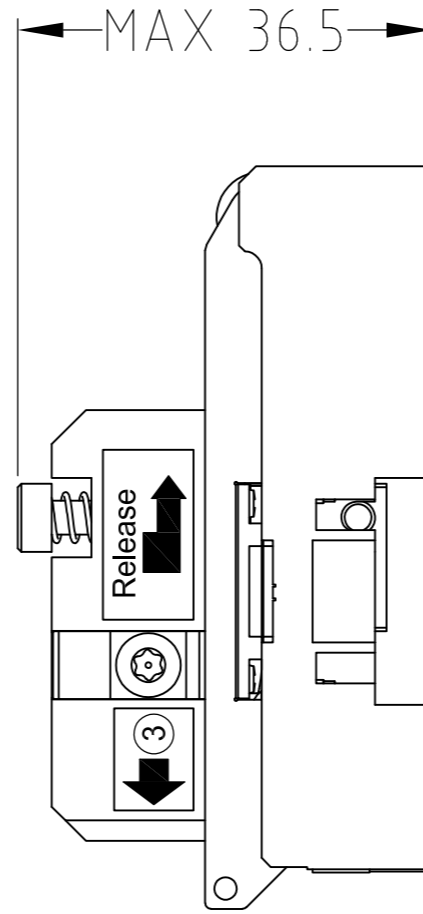
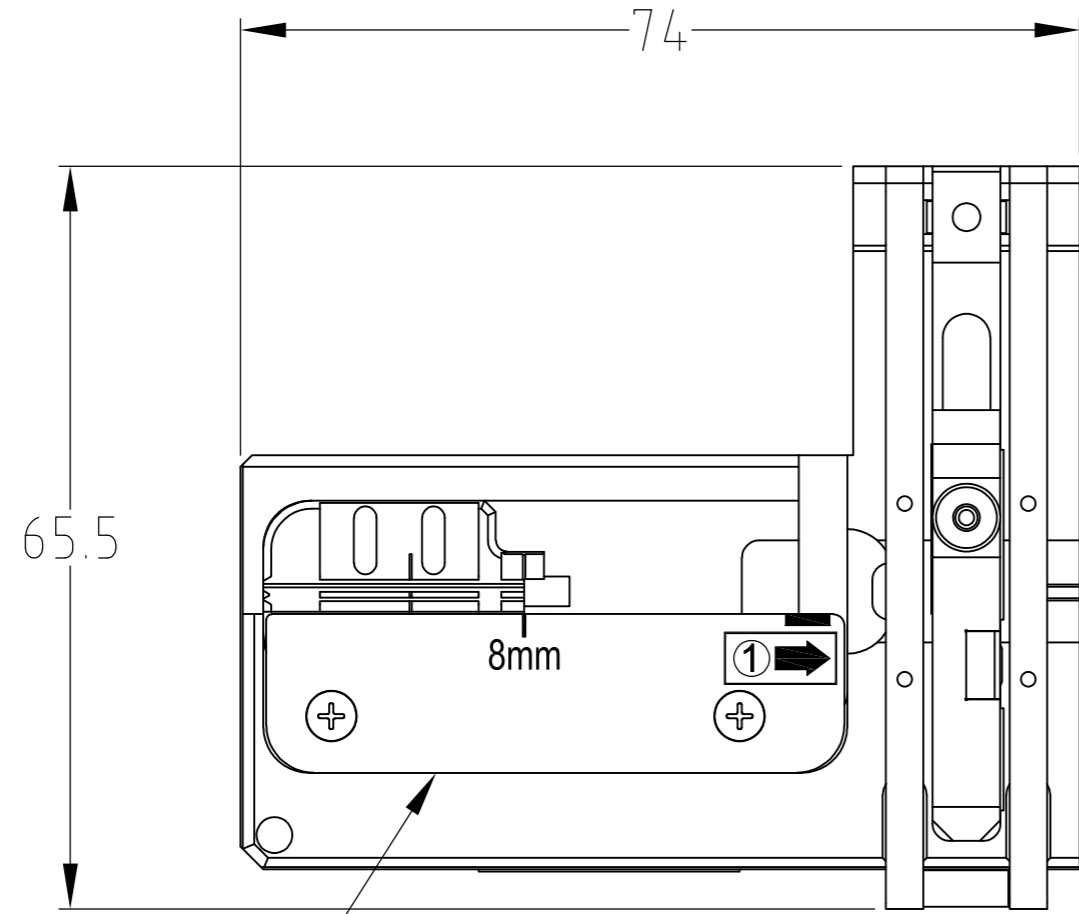
B

A

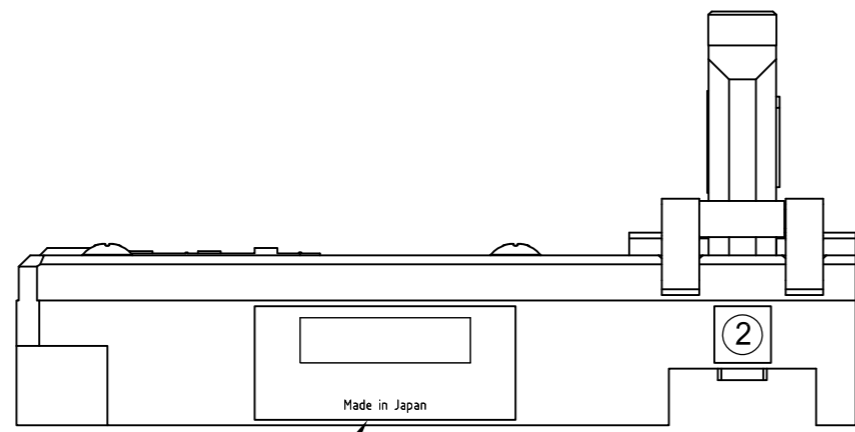
THIS DRAWING IS UNPUBLISHED. RELEASED FOR PUBLICATION JULY, 7 .
 © COPYRIGHT 2005 By - ALL RIGHTS RESERVED.

LOC		DIST		REVISIONS			
P	LTR	DESCRIPTION		DATE	DWN	APVD	
		SEE SHEET 1					

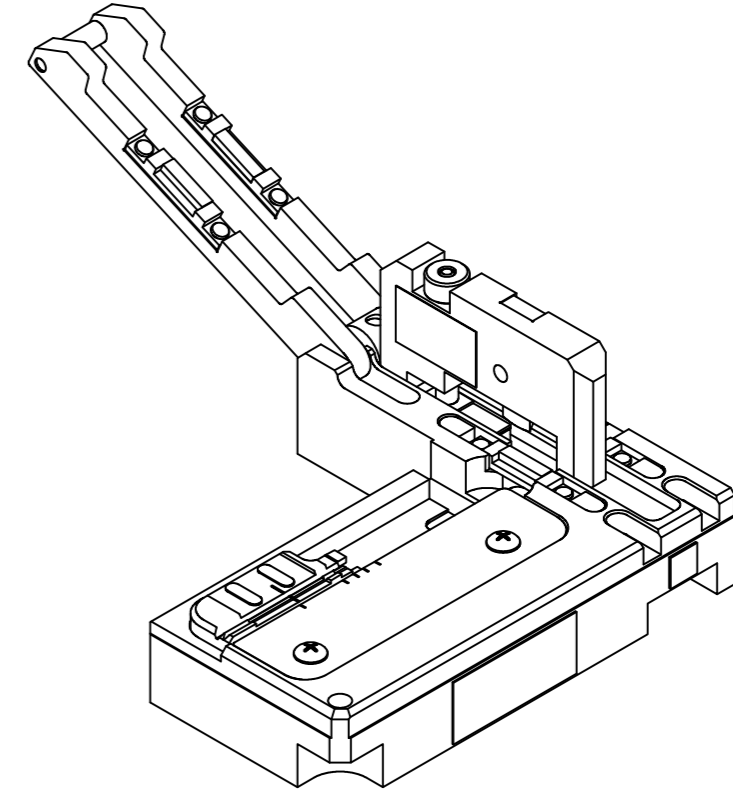
SHOWN: -4



8mm MARK SCALE PLATE



LABEL

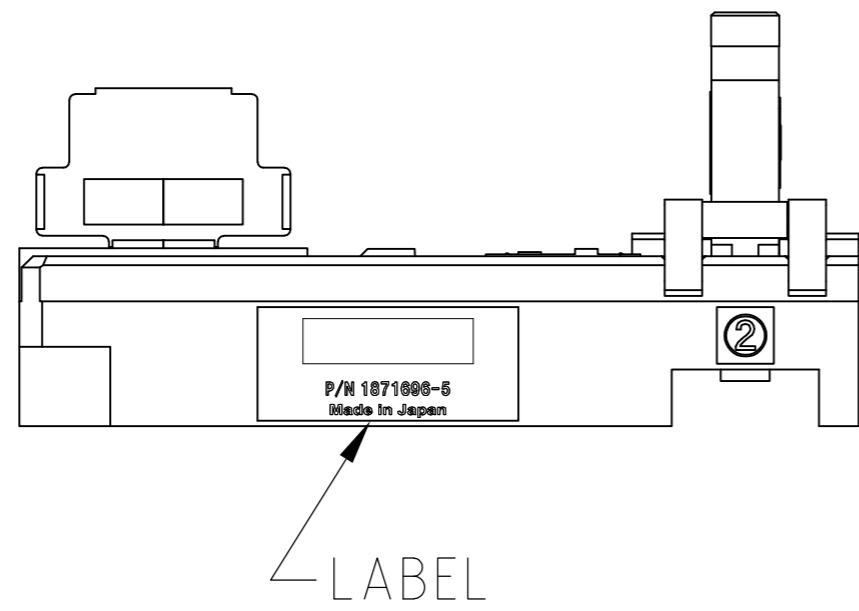
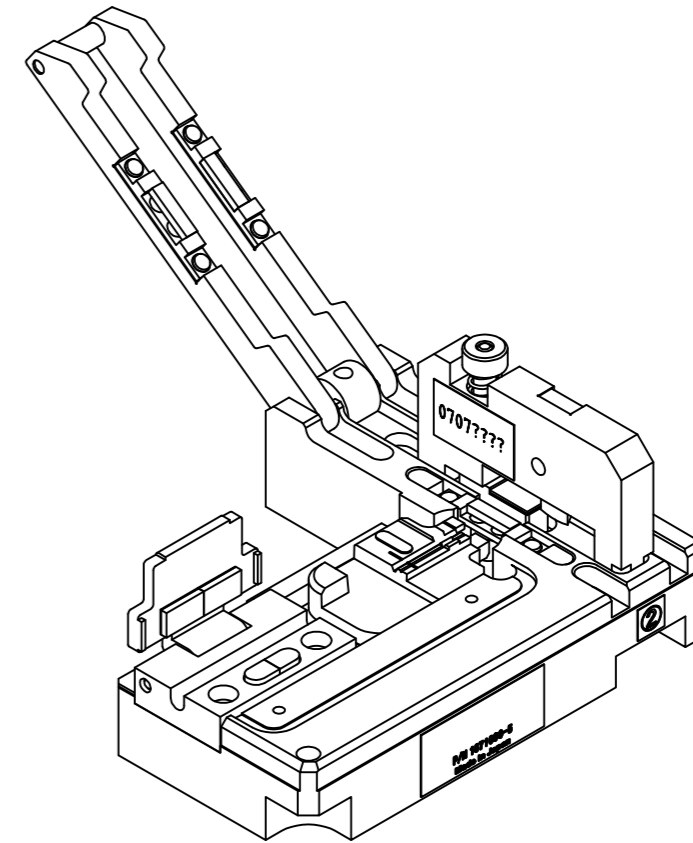
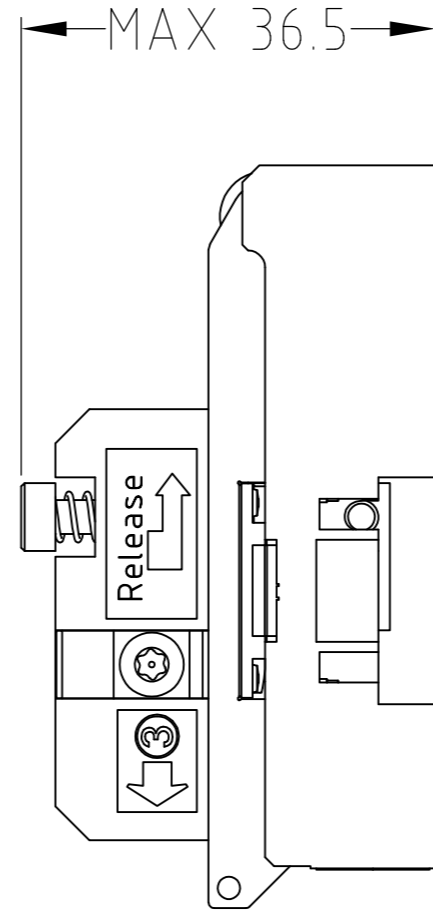
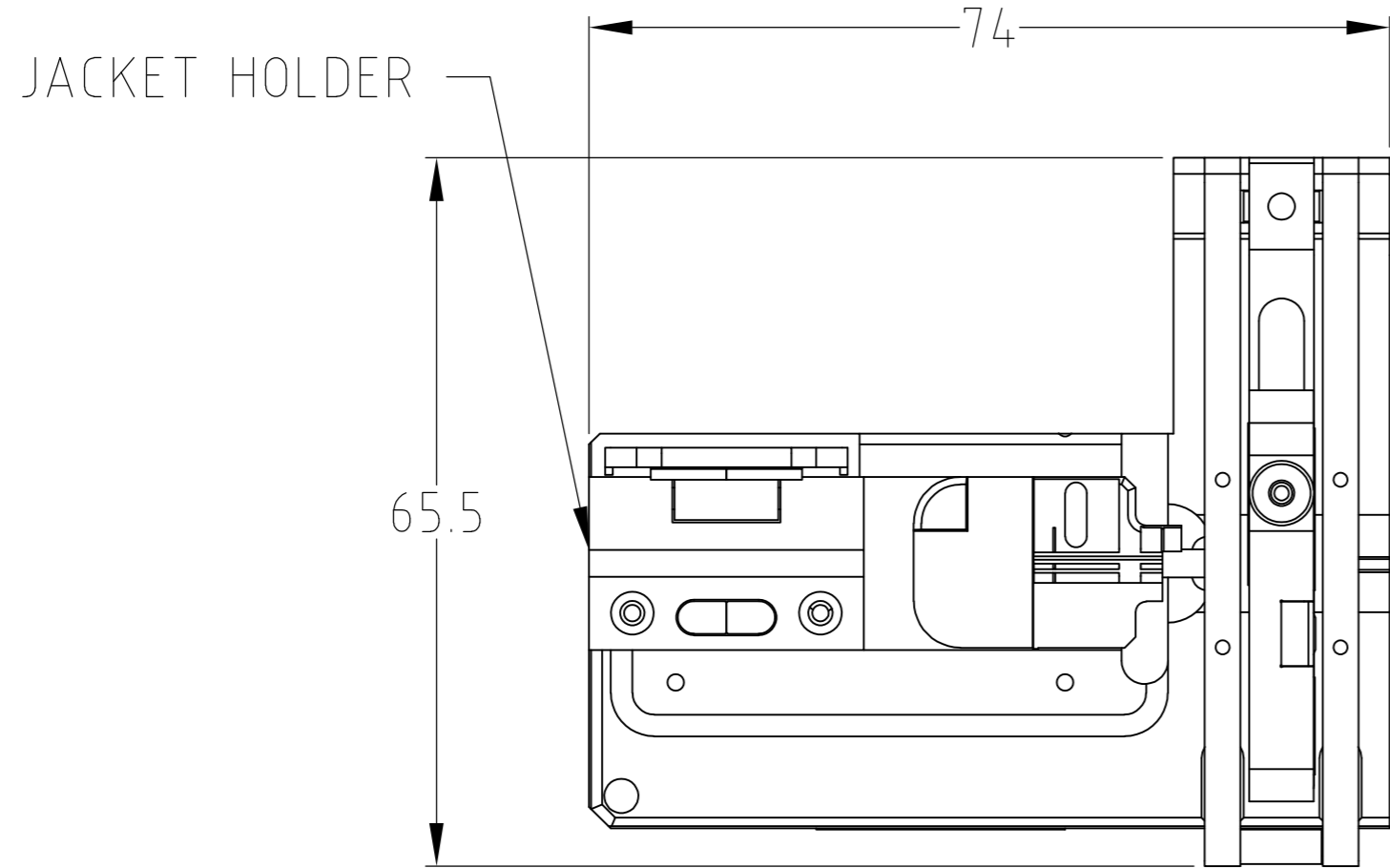


THIS DRAWING IS A CONTROLLED DOCUMENT.		DWN	S.KOBAYASHI	07JUL05		TE Connectivity		
DIMENSIONS:		CHK	T.HAYASHI	07JUL05		NAME		
mm	TOLERANCES UNLESS OTHERWISE SPECIFIED	APVD	T.HAYASHI	07JUL05		FIBER CLEAVER		
	0 PLC ±	PRODUCT SPEC				SIZE	CAGE CODE	DRAWING NO
	1 PLC ±	APPLICATION SPEC			A2	00779	C=1871696	
	2 PLC ±	WEIGHT			SCALE	NTS	SHEET	
	3 PLC ±	CUSTOMER DRAWING					4 OF 5	
	4 PLC ±						REV	
	ANGLES ±						E	
MATERIAL	FINISH							

THIS DRAWING IS UNPUBLISHED. RELEASED FOR PUBLICATION JULY, 7 .
 © COPYRIGHT 2005 By - ALL RIGHTS RESERVED.

LOC	DIST	REVISIONS			
P	LTR	DESCRIPTION	DATE	DWN	APVD
J		SEE SHEET 1			

SHOWN: -5



THIS DRAWING IS A CONTROLLED DOCUMENT.		DWN S.KOBAYASHI 07JUL05	TE TE Connectivity	
DIMENSIONS: mm		CHK T.HAYASHI 07JUL05		
TOLERANCES UNLESS OTHERWISE SPECIFIED:		APVD T.HAYASHI 07JUL05	NAME FIBER CLEAVER	
<ul style="list-style-type: none"> 0 PLC ± 1 PLC ± 2 PLC ± 3 PLC ± 4 PLC ± ANGLES ± FINISH 		PRODUCT SPEC	SIZE A2	
MATERIAL		APPLICATION SPEC	CAGE CODE 00779	DRAWING NO C=1871696
		WEIGHT	RESTRICTED TO	
		CUSTOMER DRAWING	SCALE NTS	SHEET 5 OF 5
			REV E	