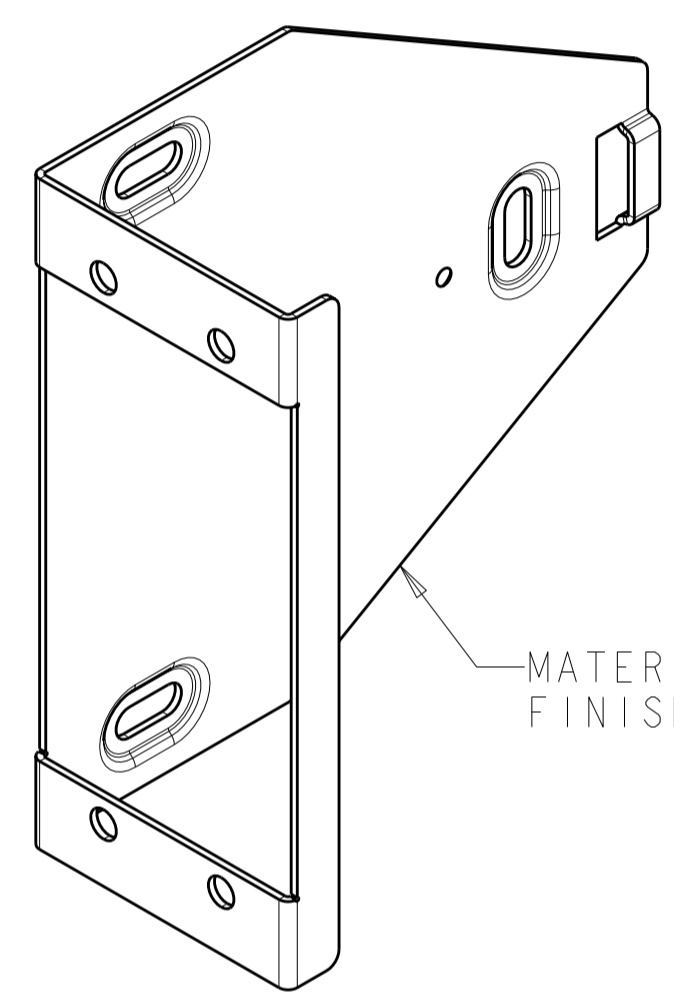
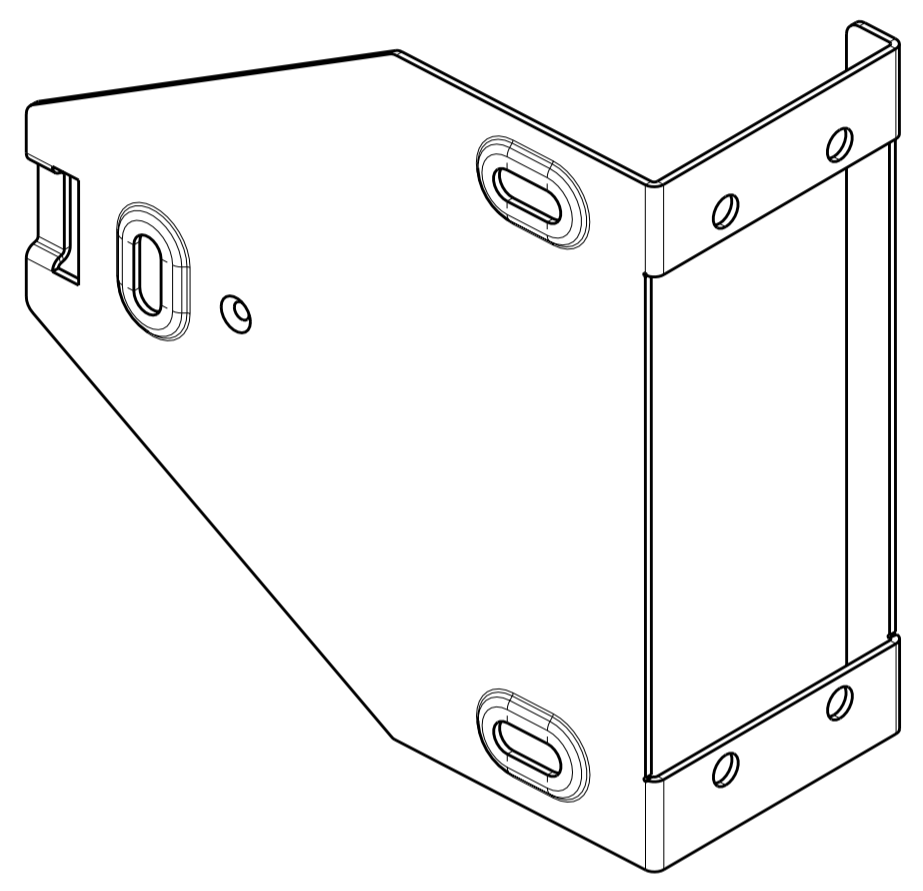
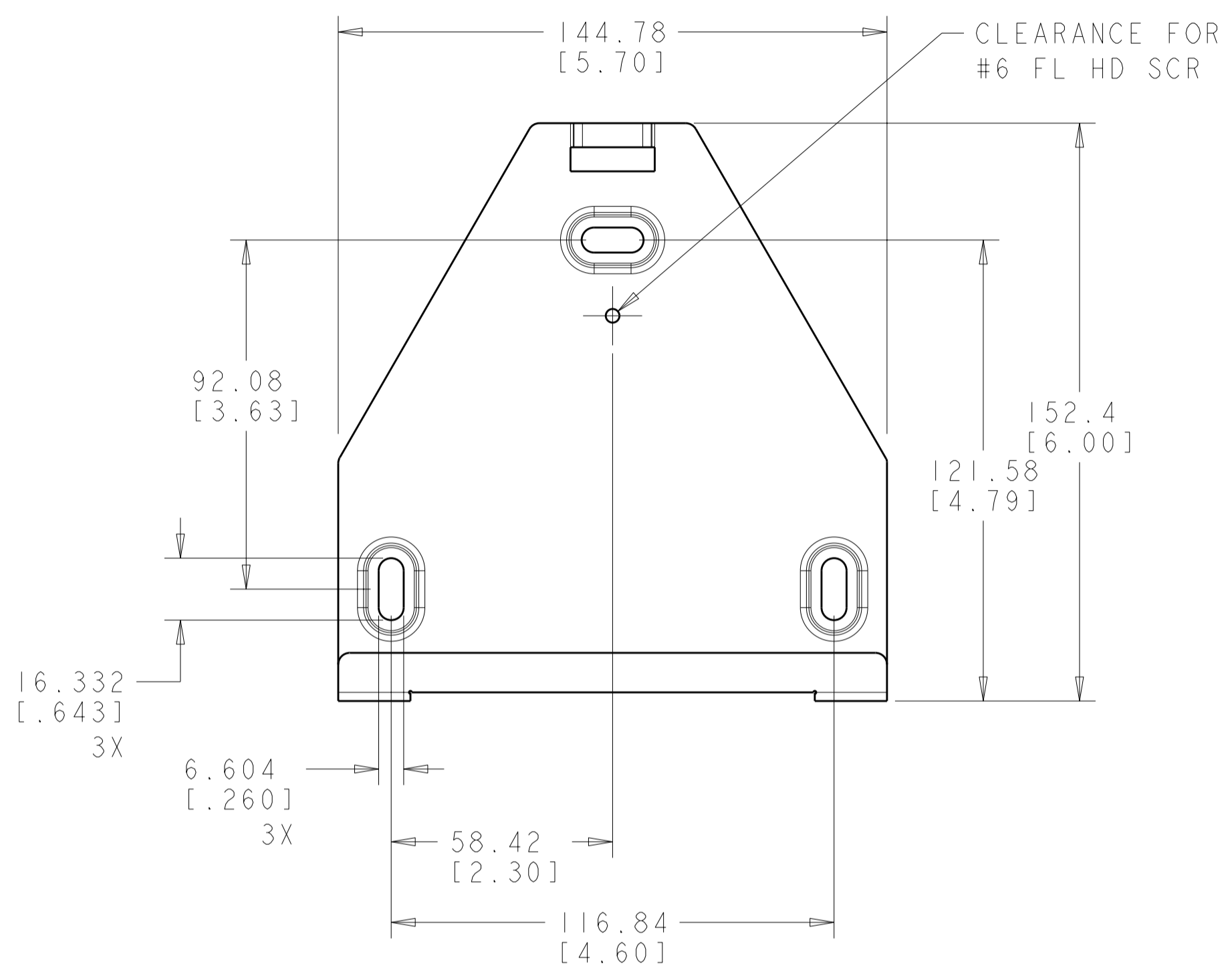


THIS DRAWING IS UNPUBLISHED. RELEASED FOR PUBLICATION 20
 © COPYRIGHT 20 BY TYCO ELECTRONICS CORPORATION. ALL RIGHTS RESERVED.

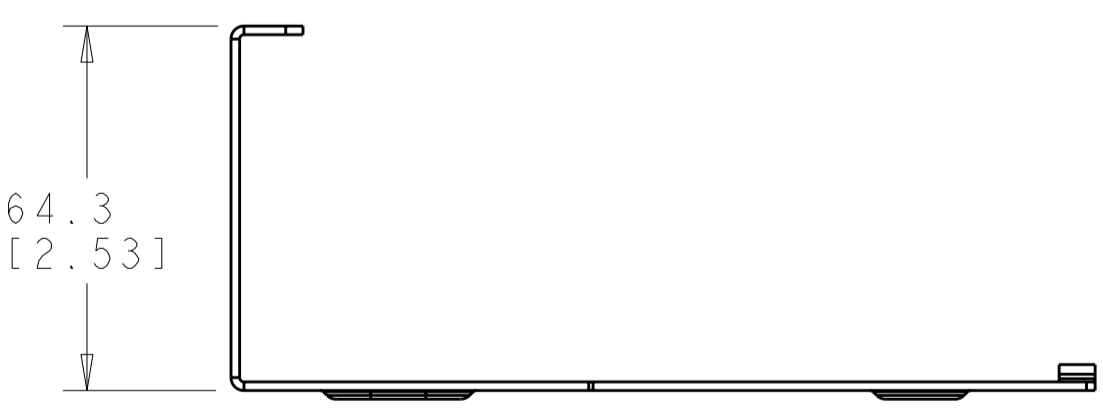
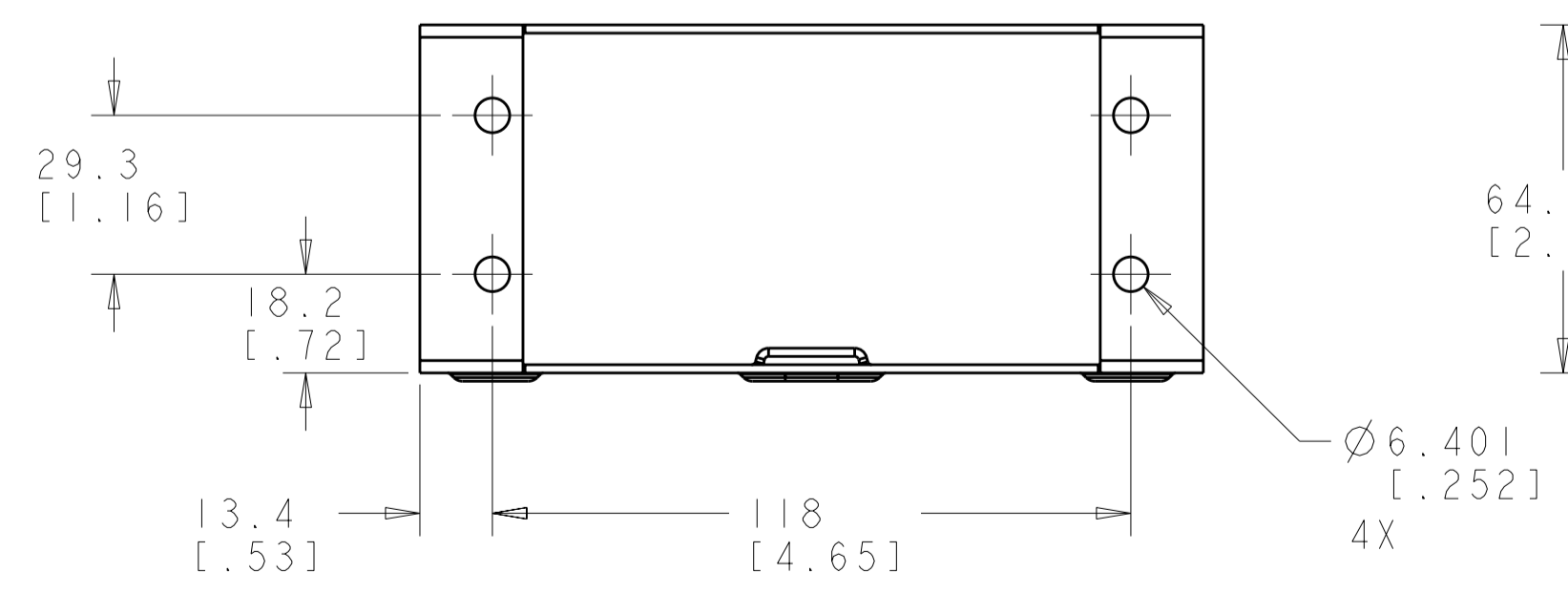
LOC	DIST	REVISIONS					
HM	00	P	LTR	DESCRIPTION	DATE	DWN	APVD
		B		REV ECO-08-010554	02MAY2008	LH	JH



- SIX SCREWS ARE BAGGED AND PACKAGED WITH BRACKET.
 4 #12-24 FOR RACK MOUNT
 2 #14 WOOD SCREWS FOR WALL MOUNT

MATERIAL: .06 CRS
 FINISH: BLACK POWDER COAT

SCALE 3:4



1777126-1
 PART NO.

THIS DRAWING IS A CONTROLLED DOCUMENT FOR TYCO ELECTRONICS CORPORATION. IT IS SUBJECT TO CHANGE AND THE CONTROLLING ENGINEERING ORGANIZATION SHOULD BE CONTACTED FOR THE LATEST REVISION.		DWN WJ SOURBEER 07NOV2006	Tyco Electronics Harrisburg, PA 17105-3608	
DIMENSIONS: INCHES		CHK J. HOFFER 07NOV2006	NAME BRACKET, MOUNTING, WALL TWO ADAPTER PLATES OR CASSETTES	
TOLERANCES UNLESS OTHERWISE SPECIFIED: 0 PLC ± 1 PLC ±0.1 2 PLC ±0.02 3 PLC ±0.005 4 PLC ±0.0005 ANGLES ± FINISH		APVD B. BARRY 07NOV2006	PRODUCT SPEC - APPLICATION SPEC -	
MATERIAL .060 THK		WEIGHT -	SIZE A200779	CAGE CODE C-1777126
CUSTOMER DRAWING		SCALE 75%	SHEET 1	OF 1
		RESTRICTED TO -		REV B