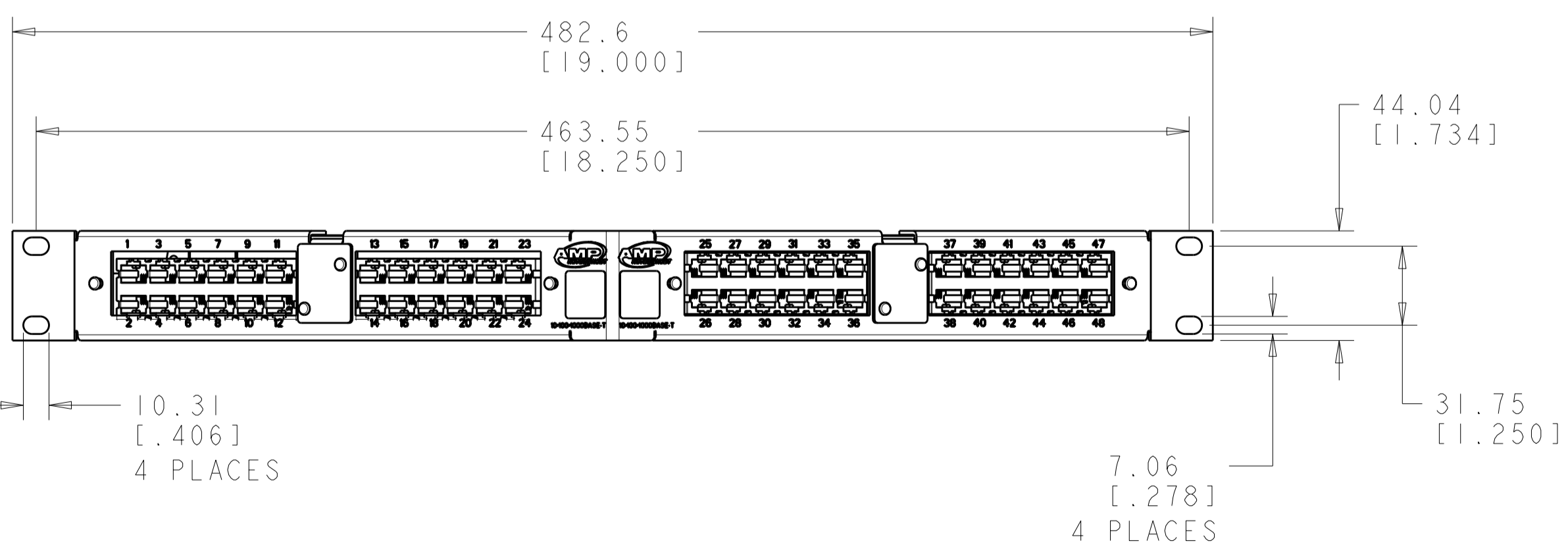
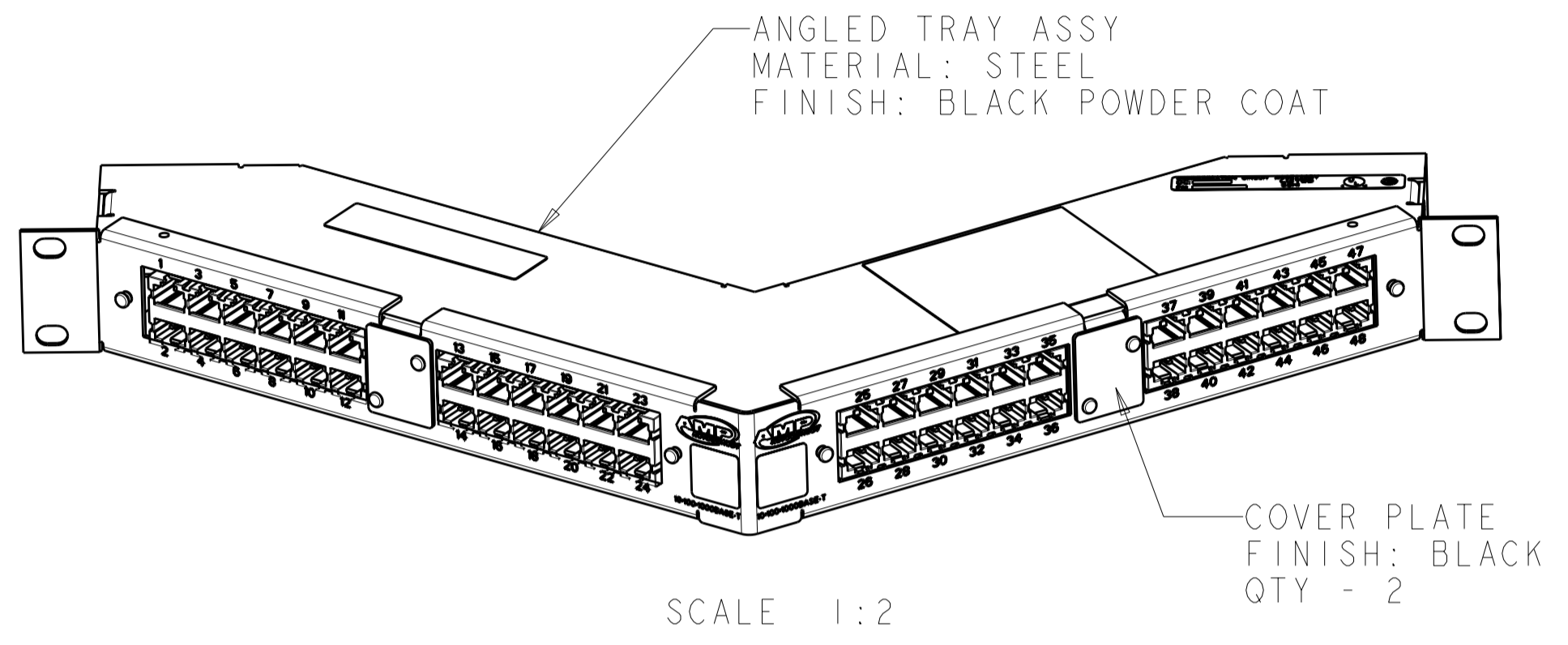
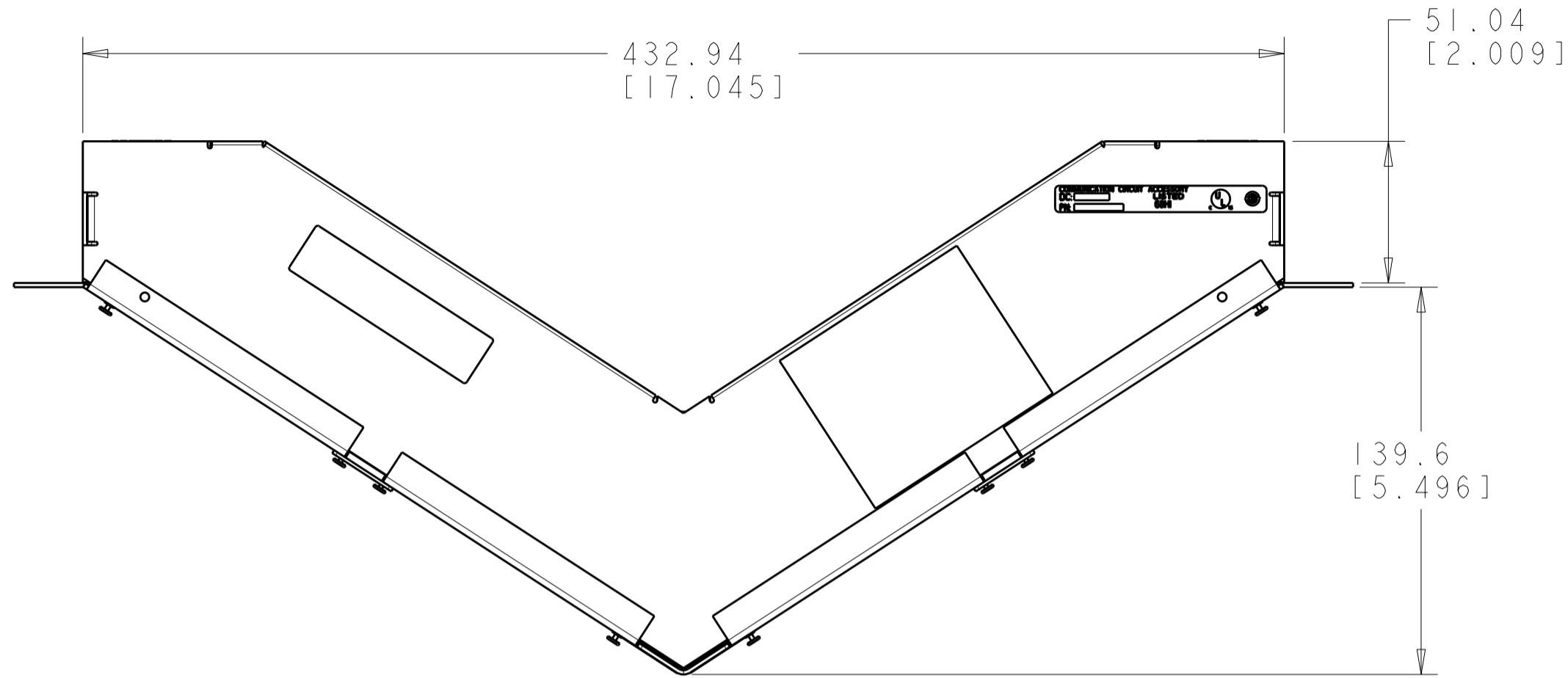


THIS DRAWING IS UNPUBLISHED. RELEASED FOR PUBLICATION 20
 © COPYRIGHT 20 BY TYCO ELECTRONICS CORPORATION. ALL RIGHTS RESERVED.

LOC	DIST	REVISIONS					
HM	00	P	LTR	DESCRIPTION	DATE	DWN	APVD
		A		REL PER NSD-05-056	07APR2005	AJK	BB
		B		REV PER ECO-06-019285	22AUG06	WS	AK
		C		REV; ECO-08-028104	24NOV2008	GG	DC



⚠ THE FOLLOWING ITEM(S) WILL BE BAGGED AND SHIPPED WITH UNIT. ITEMS NOT SHOWN.

FOUR BLACK 12-24 x 12.7 [.500] LONG STEEL, CROSSED RECESSED SCREWS FOR MOUNTING OF PANEL.

INSTRUCTION SHEET 408-8963

1777052-1
PART NUMBER

THIS DRAWING IS A CONTROLLED DOCUMENT FOR TYCO ELECTRONICS CORPORATION. IT IS SUBJECT TO CHANGE AND THE CONTROLLING ENGINEERING ORGANIZATION SHOULD BE CONTACTED FOR THE LATEST REVISION.		DWN A KINKA 07APR2005 CHK B SOURBEER 07APR2005 APVD B BARRY 07APR2005	Tyco Electronics Harrisburg, PA 17105-3608
DIMENSIONS: MM/INCHES 	TOLERANCES UNLESS OTHERWISE SPECIFIED: 0 PLC ± 1 PLC ± 2 PLC ±.02 3 PLC ±.010 4 PLC ± ANGLES ± FINISH	PRODUCT SPEC APPLICATION SPEC WEIGHT 4.01 lb	NAME MRJ 21, 48 PORT, 1U ANGLED PATCH PANEL 10-100-1000 BASE-T SIZE CAGE CODE DRAWING NO RESTRICTED TO A200779 C-1777052 -
MATERIAL STEEL	FINISH POWDER COAT	CUSTOMER DRAWING	SCALE 1:2 SHEET 1 OF 1 REV C