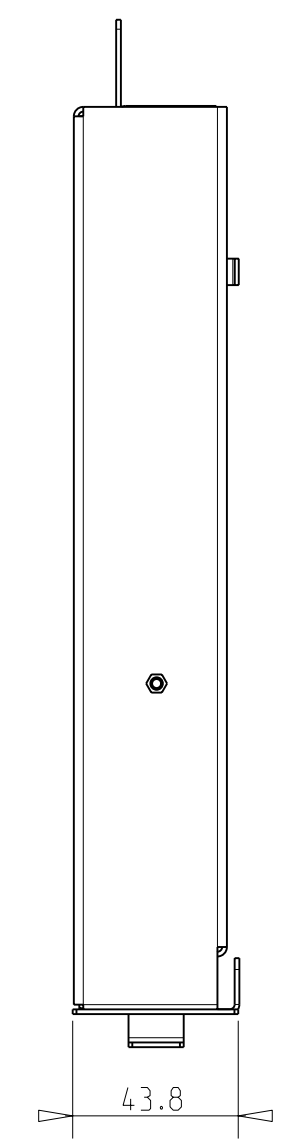
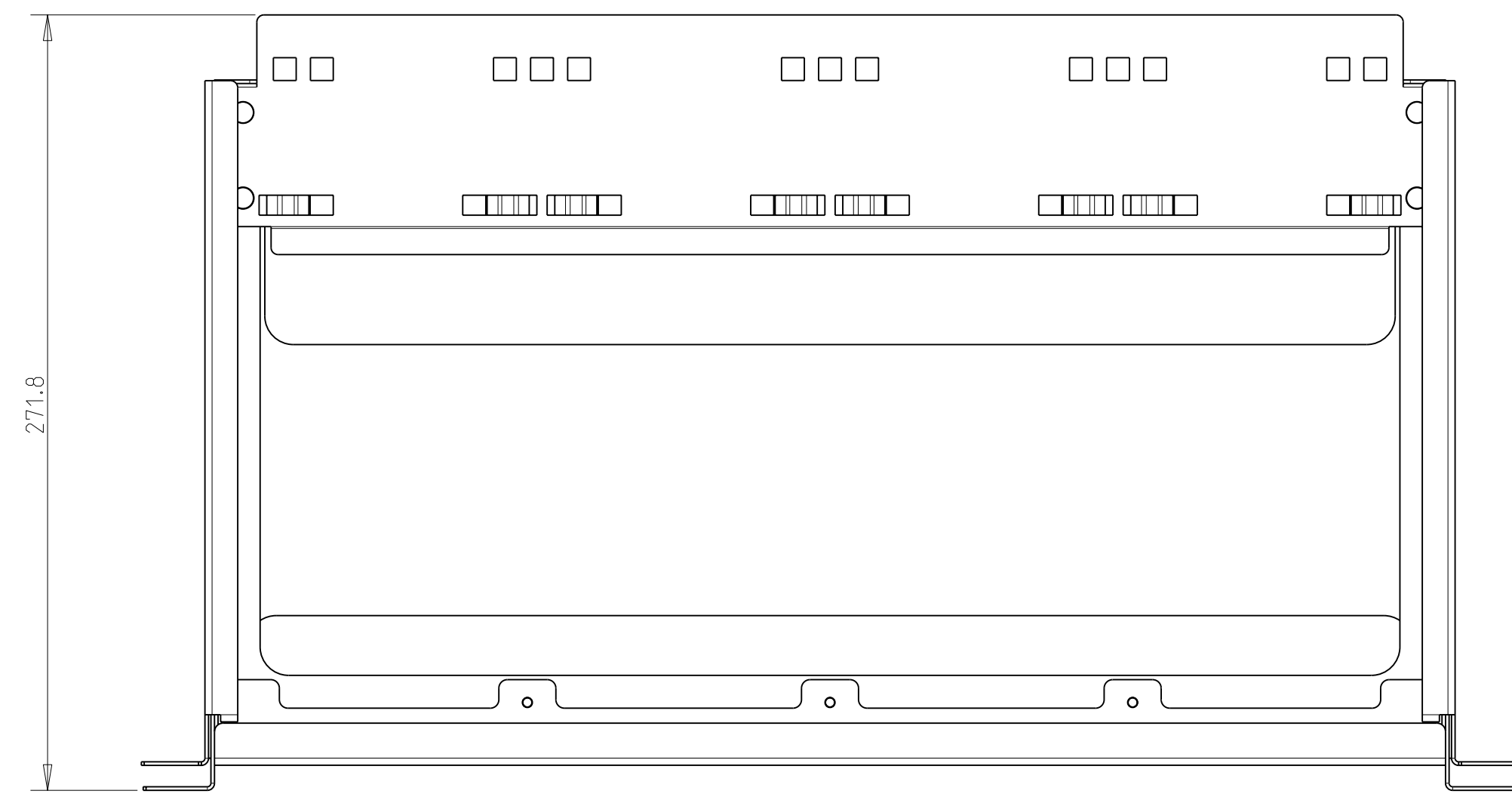
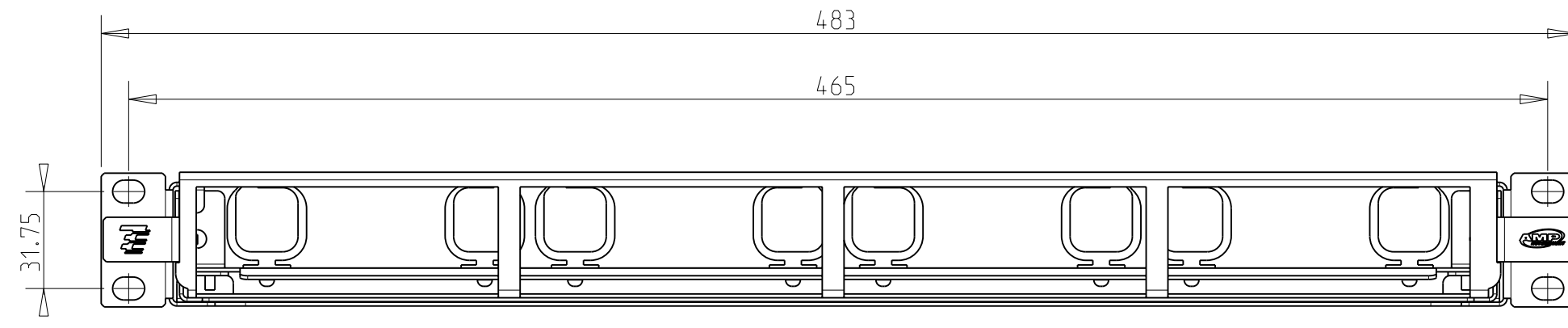
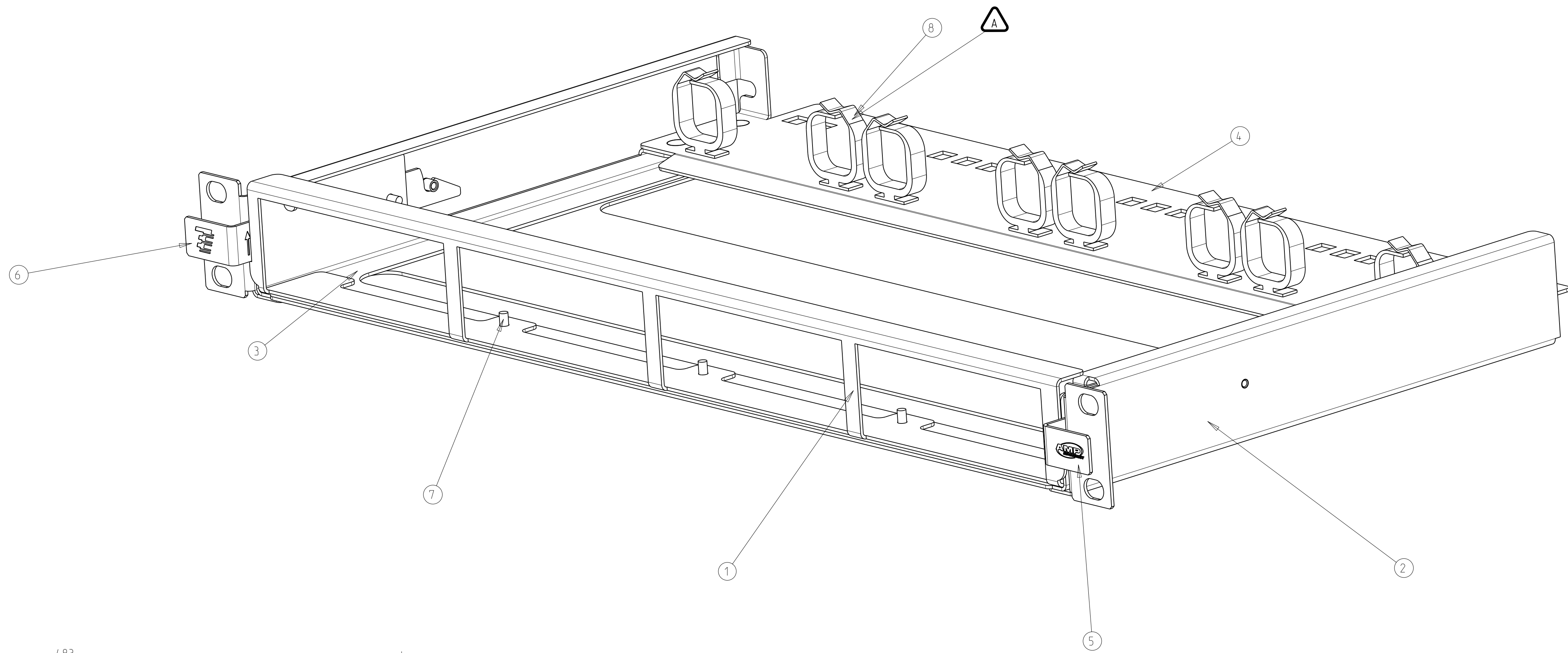


LOC	DIST	REVISIONS			
P	LTR	DESCRIPTION	DATE	DWN	APVD
IV	00	A1	Initial release	05AUG2010	RV HB



A OFN Saddles are shown in the suggested position. These are included, not mounted!

QTY	DESCRIPTION	ITEM
8	OFN Saddle	8
10	Countersunk Rivet 3.2 x 6.5-7.5 AL	7
1	MOD FO Panel Lock Left	6
1	MOD FO Panel Lock Right	5
1	Q-F MPO Panel Cable Mgmt Bar	4
1	FM Q-F MPO Tray	3
1	FM Q-F MPO Panel Base	2
1	FM Q-F MPO Panel Frontplate	1

DIMENSIONS: mm		TOLERANCES UNLESS OTHERWISE SPECIFIED: 0 PLC ±0.1 1 PLC ±0.1 2 PLC ±0.1 3 PLC ±0.1 4 PLC ±0.1 ANGLES ±0.5 FINISH -		DWN W. DE VIS 26APR2010 CHK H. BLEUS 26APR2010 APVD P. THUIS 26APR2010		Tyco Electronics Kessel-Lo, Belgium	
MATERIAL -		WEIGHT -		NAME Flushmount Modular Quick-Fit MPO Sliding Panel		SIZE CAGE CODE DRAWING NO RESTRICTED TO A1 00779 C=1671437 -	
CUSTOMER DRAWING				SCALE 1.000		SHEET 1 OF 1 REV A1	