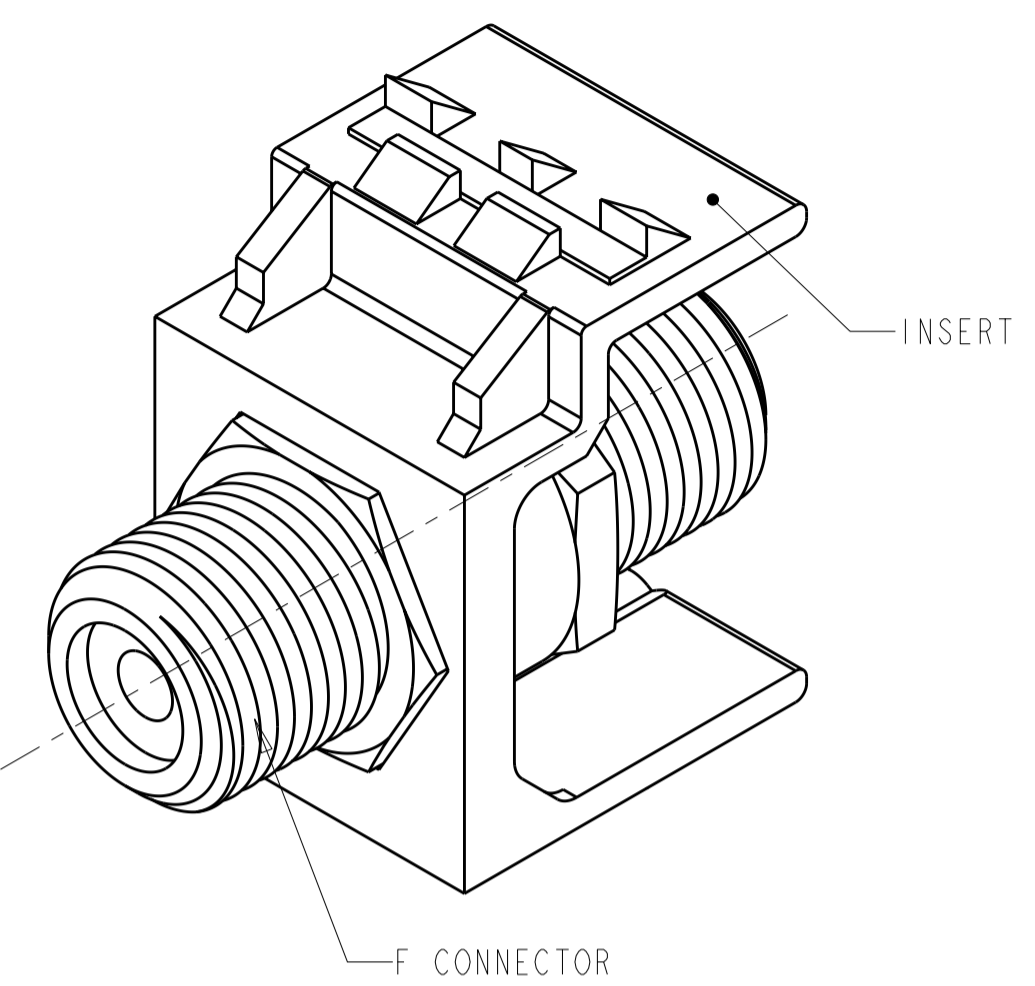
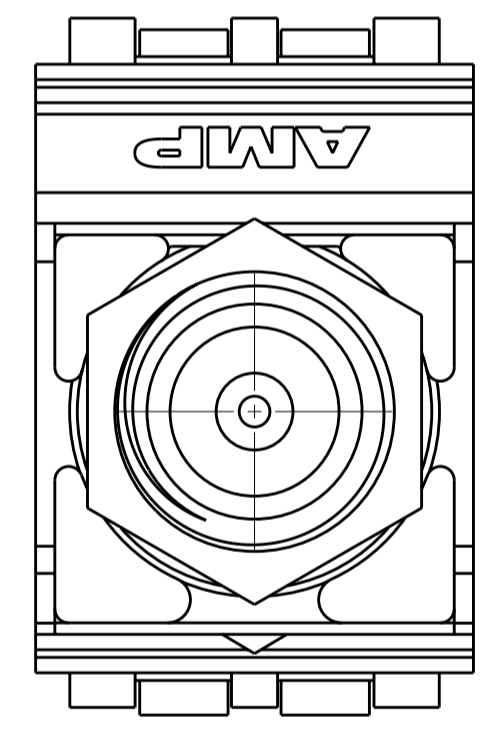
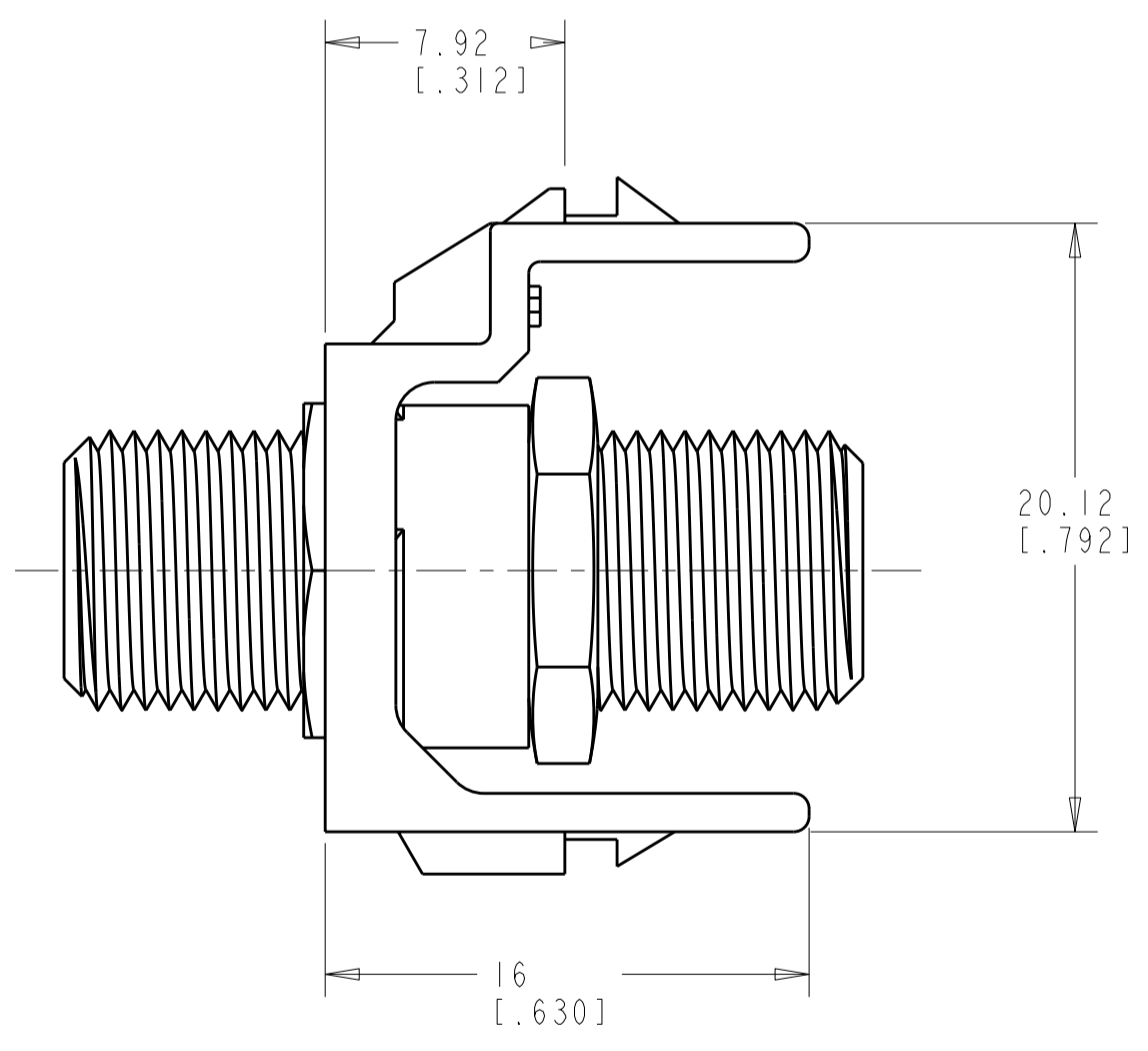
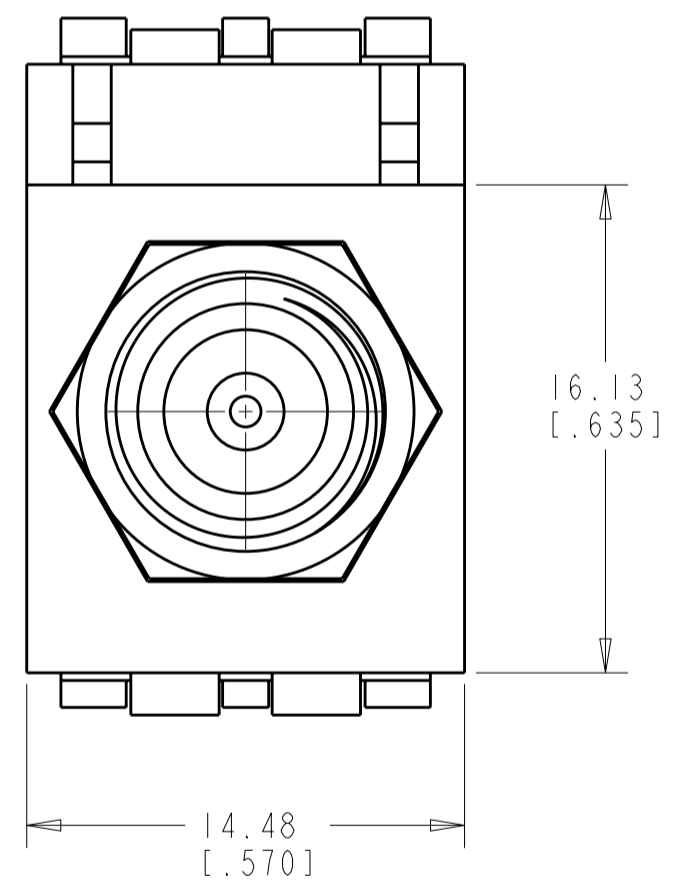


THIS DRAWING IS UNPUBLISHED. RELEASED FOR PUBLICATION
 © COPYRIGHT 20 BY - ALL RIGHTS RESERVED.

LOC	DIST	REVISIONS					
HM	00	P	LTR	DESCRIPTION	DATE	DWN	APVD
		B		REV; ECO-10-010362	18MAY2010	GG	RA
		C		REV ECO-11-005530	17MAR2011	LH	RA



1. MATERIAL:
 INSERT: POLYCARBONATE MOLDING COMPOUND.
 SEE TABLE FOR COLOR.
 CONNECTOR: NICKEL PLATED ZINC.
2. ELECTRICAL SPECIFICATION:
 IMPEDANCE: 75 Ohms.
 INSULATION RESISTANCE: 500M Ohms.
 WITHSTAND VOLTAGE: 500 VAC ONE MINUTE.
 VOLTAGE RATING: 150 VAC.
 DURABILITY: 500 CYCLES.



ALPINE WHITE	1-1499855-3
ELEC IVORY	1-1499855-1
GRAY	1499855-4
WHITE	1499855-3
BLACK	1499855-2
LT ALMOND	1499855-1
COLOR	PART NO

THIS DRAWING IS A CONTROLLED DOCUMENT.		DWN J MCNEAL 16 JAN 2006	TE Connectivity	
DIMENSIONS: mm (INCHES)		CHK G BOWMAN 23 MAR 2006		
TOLERANCES UNLESS OTHERWISE SPECIFIED:		APVD G BOWMAN 23 MAR 2006	NAME ASSY, F INSERT, 2 GHz, SL SERIES	
0 PLC ±-		PRODUCT SPEC	SIZE	CAGE CODE
1 PLC ±-		APPLICATION SPEC	A2	00779
2 PLC ±.13 [.005]		WEIGHT	SCALE	DRAWING NO
3 PLC ±-		CUSTOMER DRAWING	4:1	C-1499855
4 PLC ±-			SHEET	REV
ANGLES ±-			OF	C
FINISH			1	