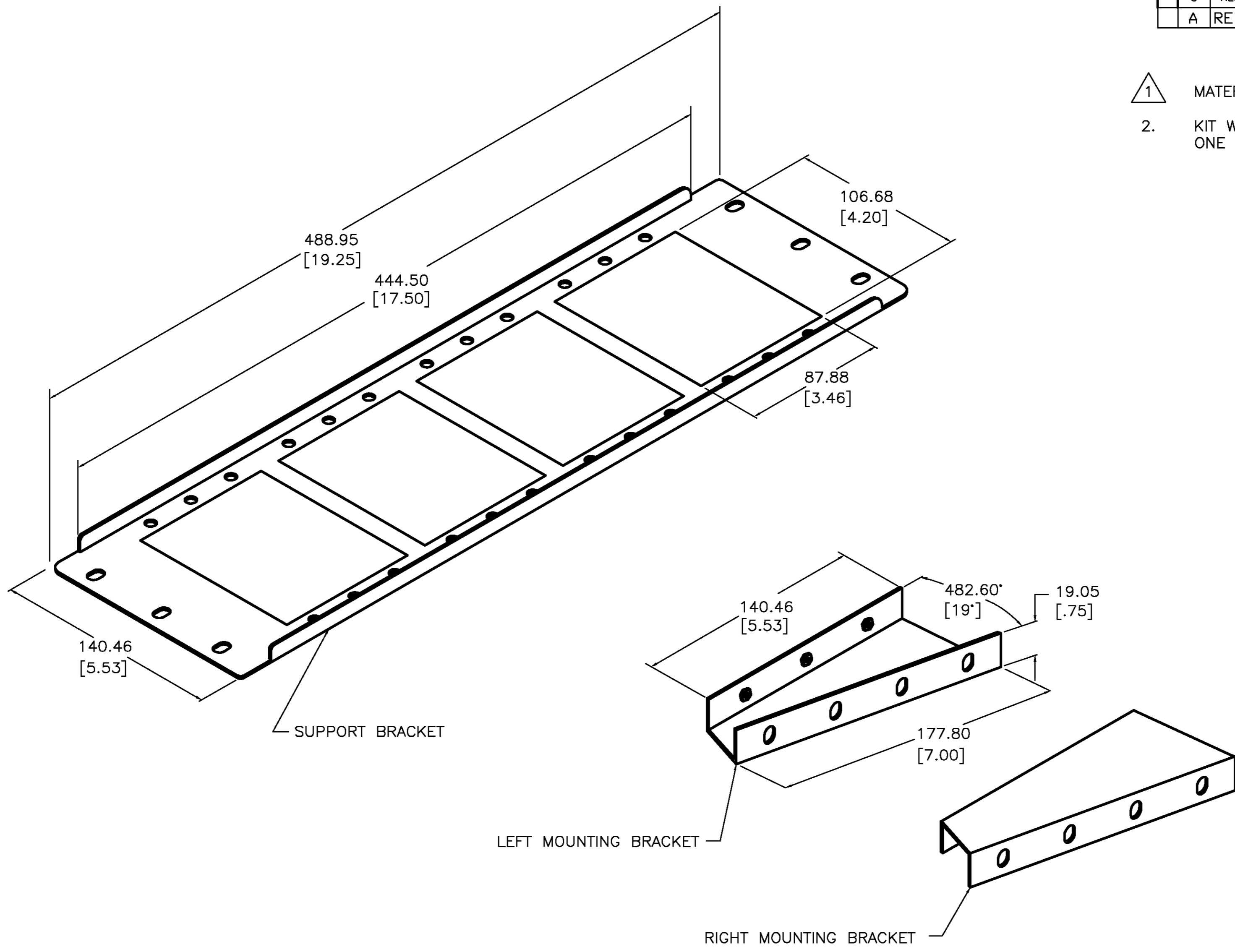


THIS DRAWING IS UNPUBLISHED. RELEASED FOR PUBLICATION
 © COPYRIGHT BY TYCO ELECTRONICS CORPORATION. ALL RIGHTS RESERVED.

LOC	DIST	REVISIONS					
HM	00	P	LTR	DESCRIPTION	DATE	DWN	APVD
		0		RLSD PER NSD02-097	10SEP02	LH	SH
		A		REV-EC 0B40-0252-02	23DCT02	LH	SH



- 1. MATERIAL: .06 ALUMINUM, FINISH: MILL
- 2. KIT WILL CONTAIN ONE SUPPORT BRACKET, ONE LEFT AND ONE RIGHT MOUNTING BRACKET.

1479326-1
PART NO.

THIS DRAWING IS A CONTROLLED DOCUMENT.		DWN L. HALL 09SEP02	Tyco Electronics Corporation Harrisburg, Pa., 17105-3608	
DIMENSIONS: MM [INCHES]		CHK S. HERNDON 10SEP02	NAME S. HERNDON	
TOLERANCES UNLESS OTHERWISE SPECIFIED:		APVD S. HERNDON 10SEP02	PRODUCT SPEC	
0 PLC ± - 1 PLC ± - 2 PLC ± - 3 PLC ± - 4 PLC ± - ANGLES ± -		APPLICATION SPEC		
MATERIAL	FINISH	WEIGHT	SIZE A2	CAGE CODE 00779
-	1	-	DRAWING NO 1479326	
CUSTOMER DRAWING			RESTRICTED TO	SCALE 1:2
			SHEET 1	OF 1
			REV A	