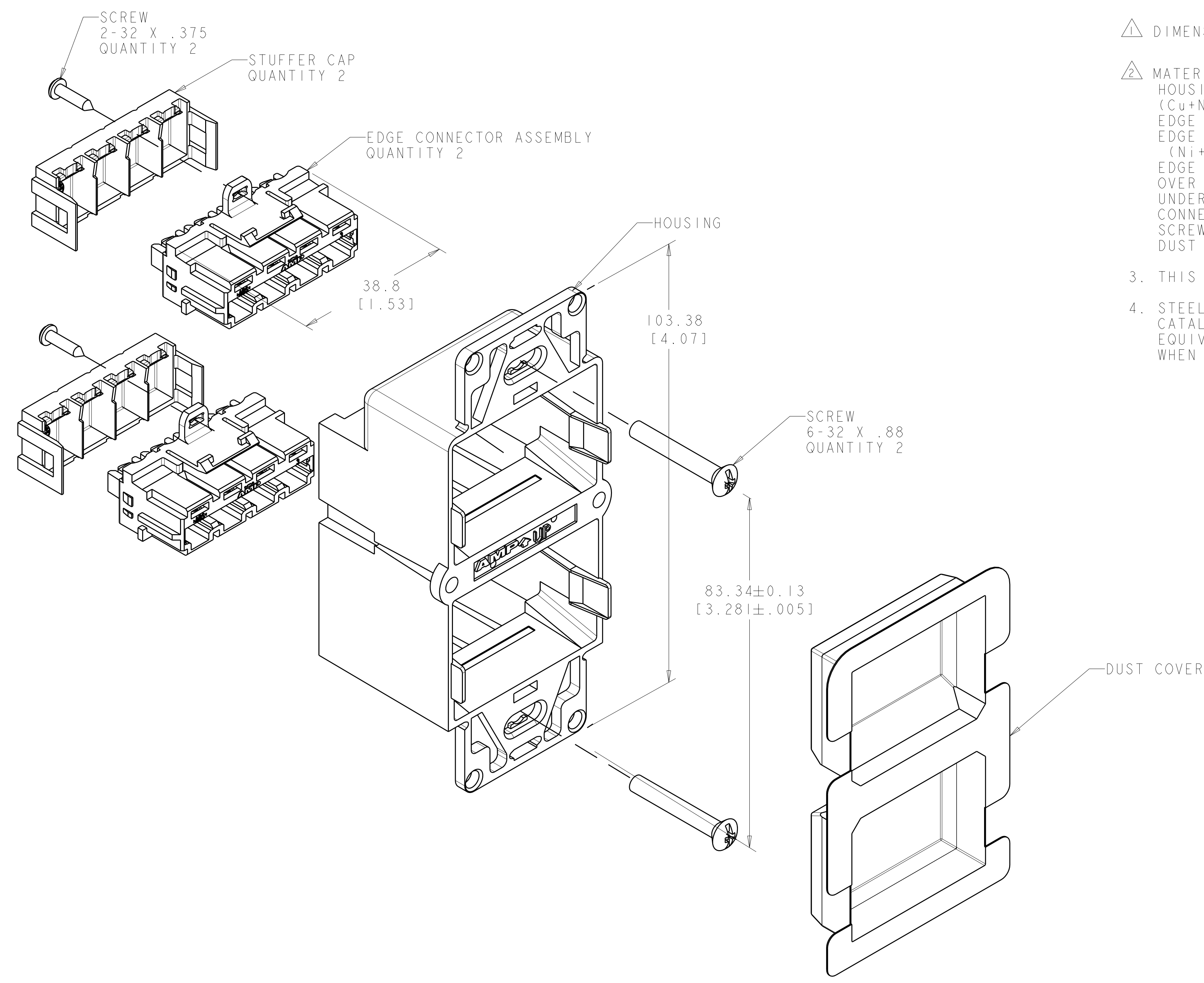


| LOC | DIST | REVISIONS |     |                     |           |     |      |
|-----|------|-----------|-----|---------------------|-----------|-----|------|
| HM  | 00   | P         | LTR | DESCRIPTION         | DATE      | DWN | APVD |
|     |      | A         |     | RLSD - NSD02-080    | 20NOV2002 | LS  | CD   |
|     |      | B         |     | REV-EC 0B40-0187-04 | 25AUG2004 | LH  | CC   |
|     |      | C         |     | REV ECO-06-019641   | 06OCT2006 | LH  | CC   |



- ⚠ DIMENSIONS ARE MAXIMUM UNLESS OTHERWISE SHOWN.
- ⚠ MATERIAL:  
 HOUSING - ABS MOLDING COMPOUND, BLACK, NICKEL PLATED (Cu+Ni).  
 EDGE CONNECTOR HOUSING - ABS MOLDED COMPOUND, NICKEL PLATED (Cu+Ni).  
 EDGE CONNECTOR COVERS - ABS MOLDING COMPOUND, NICKEL PLATED (Ni+Cu+Ni).  
 EDGE CONNECTOR TERMINALS - PHOSPHOR BRONZE WITH GOLD PLATE OVER NICKEL PLATE IN CONTACT AREA AND TIN OVER NICKEL UNDERPLATE IN TERMINATION AREA.  
 CONNECTION MODULES - POLYCARBONATE, GRAY  
 SCREWS - ZINC PLATED CARBON STEEL.  
 DUST COVER - 0.26[.010] THICK, CLEAR PVC.
3. THIS KIT SHIPPED ASSEMBLED EXCEPT FOR EDGE CONNECTOR COVERS.
4. STEEL CITY 4 INCH SQUARE DEVICE COVER FOR TWO DEVICES - CATALOG SERIES 52-C (OR TYCO ELECTRONICS APPROVED EQUIVALENT) IS RECOMMENDED FOR PROPER INSTALLATION WHEN DOUBLE GANG APPLICATION IS REQUIRED.

1479307-1  
PART NO.

|  |   |  |   |
|--|---|--|---|
| <small>THIS DRAWING IS UNPUBLISHED. RELEASED FOR PUBLICATION BY TYCO ELECTRONICS CORPORATION. ALL RIGHTS RESERVED.</small><br><small>THIS IS SUBJECT TO CHANGE WITHOUT NOTICE AND WITHOUT OBLIGATION. SHOULD BE CONTACTED FOR THE LATEST REVISION.</small> |   | DWN L. SMITH 20NOV2002<br>CHK G. GARRETT 03JAN2003<br>APVD C. DOOLEY 03JAN2003 | <b>tyco</b><br>Electronics<br>Tyco Electronics<br>Harrisburg, PA 17105-3608 |
| DIMENSIONS:<br>MM [INCHES]   | TOLERANCES UNLESS OTHERWISE SPECIFIED:<br>9 PLC ±.1<br>1 PLC ±.1<br>2 PLC ±.1<br>3 PLC ±.1<br>4 PLC ±.1<br>ANGLES ±.1 | NAME<br>PRODUCT SPEC<br>APPLICATION SPEC<br>WEIGHT                             | INSTALL KIT, DUAL PORT,<br>LOW PROFILE, ACO, CAT 6                          |
| MATERIAL:  | FINISH:   | SIZE CAGE CODE DRAWING NO<br>A11 00779 C=1479307                               | RESTRICTED TO<br>CUSTOMER DRAWING   |
| AMP 4805 REV 31MAR2000<br>Pro/ENGINEER DRAWING   |   | SCALE 2:1 SHEET 1 OF 1 REV C   |   |