

4

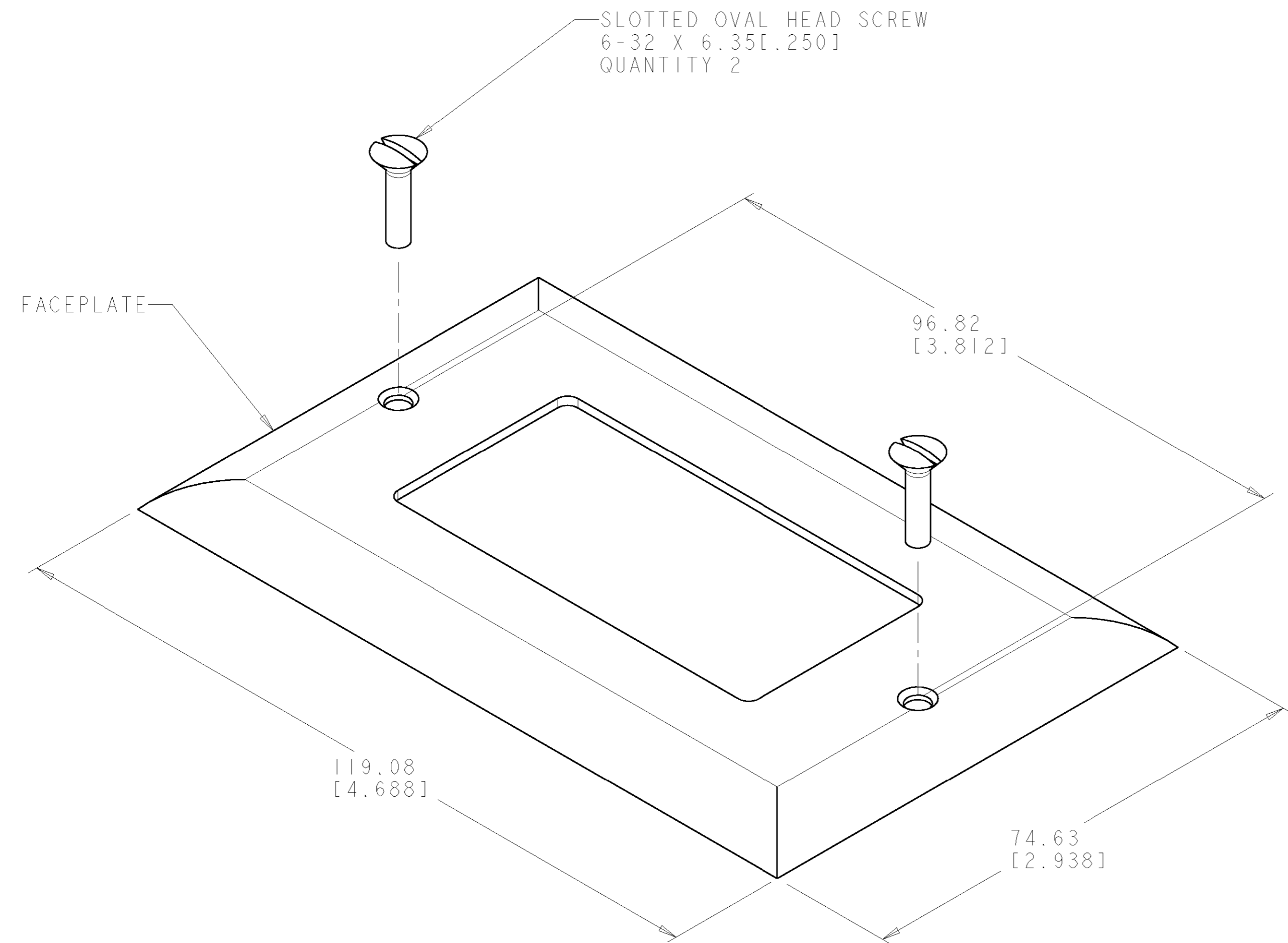
3

2

1

THIS DRAWING IS UNPUBLISHED. RELEASED FOR PUBLICATION 20  
 © COPYRIGHT 20 BY TYCO ELECTRONICS CORPORATION. ALL RIGHTS RESERVED.

LOC	DIST	REVISIONS					
HM	00	P	LTR	DESCRIPTION	DATE	DWN	APVD
			A	RLSD; NPR NSD 02-007	31-Jan-02	GG	GB



⚠ MATERIAL: FACEPLATE - NYLON MOLDING COMPOUND. SEE TABLE FOR COLOR.  
 SCREWS - PAINTED HEAD, ZINC PLATED CARBON STEEL. SEE TABLE FOR COLOR.

2. DIMENSIONS ARE FOR REFERENCE ONLY.

ELECTRIC IVORY	1-1479159-1
GRAY	1479159-4
WHITE	1479159-3
BLACK	1479159-2
LIGHT ALMOND	1479159-1
COLOR	PART NUMBER

<small>THIS DRAWING IS A CONTROLLED DOCUMENT FOR TYCO ELECTRONICS CORPORATION. IT IS SUBJECT TO CHANGE AND THE CONTROLLING ENGINEERING ORGANIZATION SHOULD BE CONTACTED FOR THE LATEST REVISION.</small>		DWN G. GARRETT 31-Jan-02 CHK G. BOWMAN 31-Jan-02 APVD G. BOWMAN 31-Jan-02	<b>tyco</b> <b>Electronics</b> Tyco Electronics Harrisburg, PA 17105-3608
DIMENSIONS: MM [INCHES]	TOLERANCES UNLESS OTHERWISE SPECIFIED: 0 PLC ± 1 PLC ± 2 PLC ± 3 PLC ± 4 PLC ± ANGLES ± FINISH	PRODUCT SPEC - APPLICATION SPEC - WEIGHT -	NAME - KIT, FACEPLATE, DECORATOR SIZE A2 CAGE CODE 00779 DRAWING NO. 1479159 RESTRICTED TO -
MATERIAL ⚠ -		CUSTOMER DRAWING SCALE 2:1 SHEET 1 OF 1 REV A	