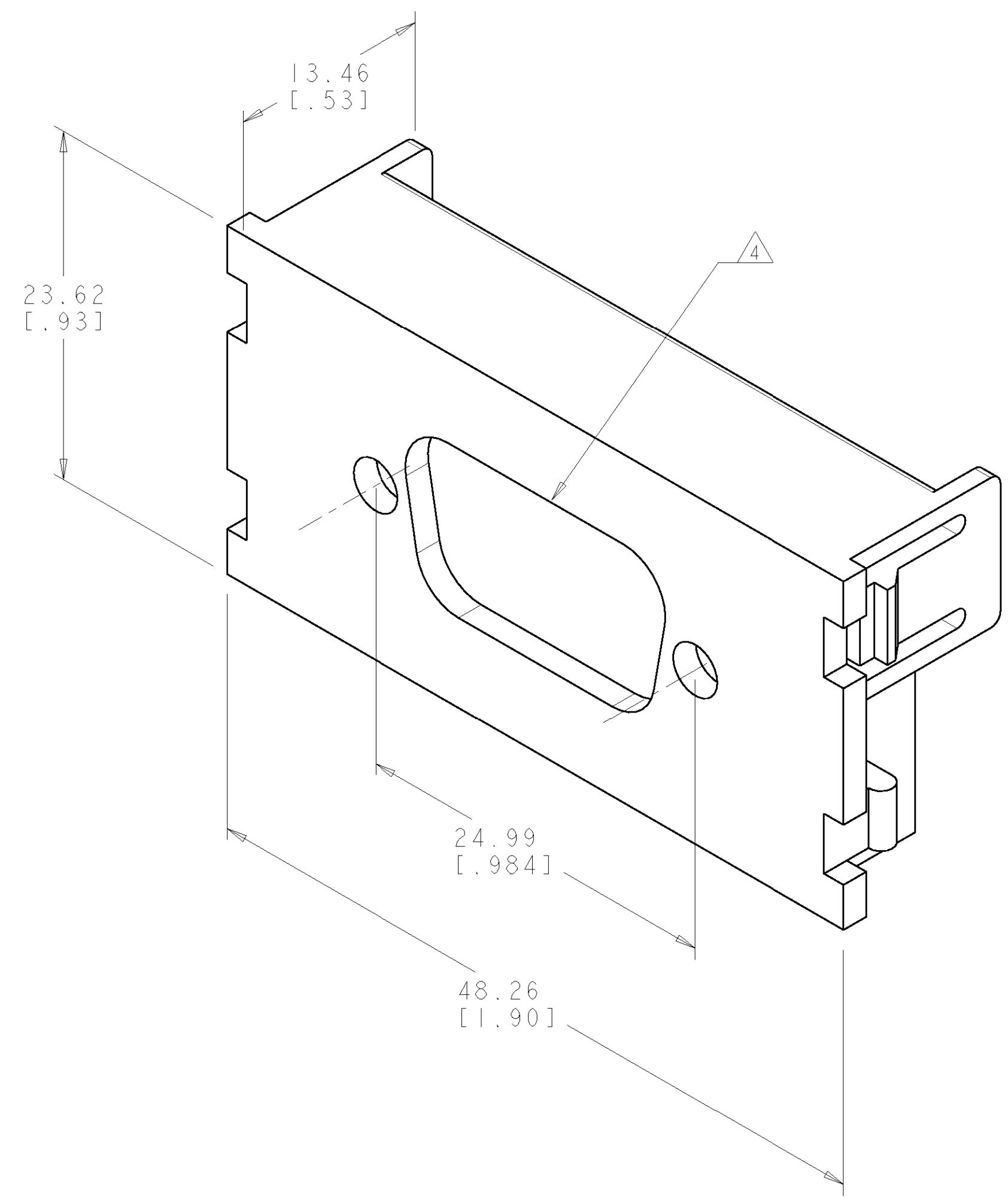


THIS DRAWING IS UNPUBLISHED. RELEASED FOR PUBLICATION 20
 © COPYRIGHT 20 BY TYCO ELECTRONICS CORPORATION. ALL RIGHTS RESERVED.

LOC	DIST	REVISIONS					
HM	00	P	LTR	DESCRIPTION	DATE	DWN	APVD
				REL - REV - EC 0B40-0292-01	15NOV01	LH	GB



- ⚠ MATERIAL:
MODULE: ABS MOLDING COMPOUND.
SEE TABLE FOR COLOR.
- 2. DIMENSIONS ARE NOMINAL UNLESS OTHERWISE SPECIFIED.
- 3. REFER TO INSTRUCTION SHEET 408-8398 FOR INSTALLATION PROCEDURES.
- ⚠ MOUNTING CUTOUT FOR HD15 SUBMINATURE D CONNECTOR.

ELEC IVORY	1-1479079-1
NEMA GRAY	1479079-4
WHITE	1479079-3
BLACK	1479079-2
LT ALMOND	1479079-1
COLOR	PART NUMBER

THIS DRAWING IS A CONTROLLED DOCUMENT FOR TYCO ELECTRONICS CORPORATION. IT IS SUBJECT TO CHANGE AND THE CONTROLLING ENGINEERING ORGANIZATION SHOULD BE CONTACTED FOR THE LATEST REVISION.		DWN L. HALL 15NOV01	Tyco Electronics Harrisburg, PA 17105-3608	
DIMENSIONS: MM [INCHES]		CHK G. BOWMAN 15NOV01	NAME MODULE, 1 UNIT, SVGA 15 PIN, SL SERIES	
TOLERANCES UNLESS OTHERWISE SPECIFIED: 0 PLC ± 1 PLC ± 2 PLC ±.25 3 PLC ± 4 PLC ± ANGLES ± FINISH		APVD G. BOWMAN 15NOV01	RESTRICTED TO	
MATERIAL		PRODUCT SPEC -	SIZE A2	CAGE CODE 00779
		APPLICATION SPEC -	DRAWING NO 1479079	REV 0
		WEIGHT -	SCALE 4:1 SHEET 1 OF 1	
		CUSTOMER DRAWING		